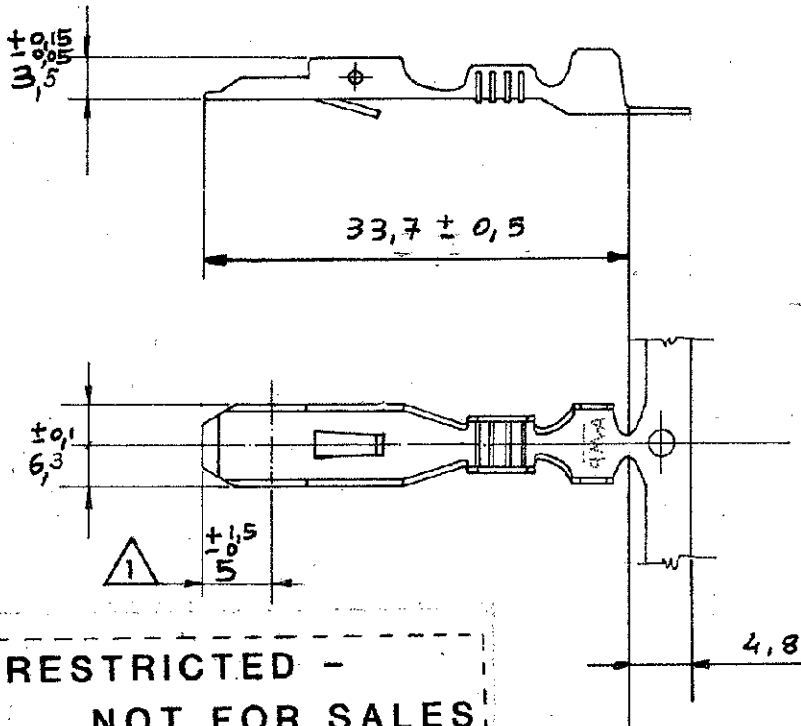


⚠ LUNGHEZZA DI DORATURA SELETTIVA PER P.N. 280677-2-3

NUMBER
280677

OTTONE	0,00075 MIN. DORATURA SELETT. + 0,00030 FLASH SU 0,00121 MIN. NICKEL	280677-3
T4	0,00075 MIN. DORATURA SELETT. SU 0,00121 MIN. NICKEL	280677-2 ← OBSOLETE
MATERIALE	FINITURA SUPERFIC.	AMP P.N.



2) RESTRICTED -
NOT FOR SALES
OUTSIDE ITALY

DIMENSIONS IN MM. DO NOT SCALE PRINT

G	REVISED PERECU ET00-0176-94	<i>Manzoni</i>	11-50-79
F	REVISIONATO	<i>B</i>	27-Apr-80
D	AGGIUNTA NOTA 2	<i>P</i>	22/7/87
C	REVISIONATO	<i>Off. prod.</i>	20-7-83
B	CANCELLATO -4	<i>Colonna</i>	11-3-77
A	IN PRODUZIONE	<i>...</i>	18-10-76
LTR	REVISION RECORD	DR	CHK DATE

© 1975 BY AMP INCORPORATED. ALL RIGHTS RESERVED. AMP PRODUCTS COVERED BY PATENTS AND/OR PATENTS PENDING.

CUSTOMER COPY
REFERENCE ONLY

MATERIAL AND FINISH
VEDERE TABELLA

WIRE RANGE INSULATION TYPE
05-1 mm²

TOLERANCE EXCEPT AS NOTED
± 0,15

SCALE
2:1

AMP AMP ITALIA
VIA CARVI 15
COLLEGGNO (TORINO)

CLASS

LOC NO
A 280677

REV
G

DE *W.S.A.* 1-12-75 DE

APP

1st dec. 75

NAME
**CONTATTO A LINGUETTA SINGOLA
PER CONNETTORE F.S.**

PRINT DIST