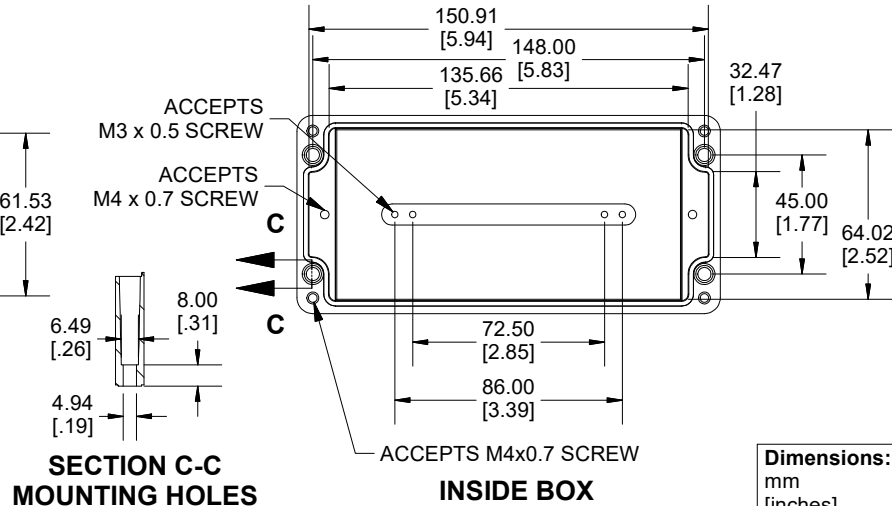
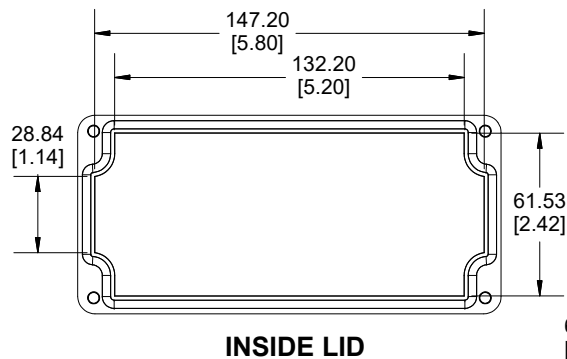


Enclosures can be Factory Modified (Milling, Drilling, Printing etc.)  
 Contact Factory (modshop@hammfg.com) for quotes  
 Solid models of this enclosure available in .stp or .x\_t  
 (Part number and text placement/orientation on our products are subject to change,  
 we do not recommend using them as a locating reference for modification purposes)



Dimensions:  
 mm  
 [inches]

NOTE	
Purchased assembly includes Box, Lid, Gasket and 4 cover screws	
Enclosure Molded from Glass Reinforced Polyester	
<b>Recommended cover screw torque 8.8-13.3 lbf.in (100-150 cN.m)</b>	
PART NUMBERS	
1590ZGRP083 Enclosure	
Black Enclosure	1590ZGRP083BK
ACCESSORIES	
Copper Ground Hardware (50 Pack) [M4 - 0.7 X 6mm / M4 Washer]	SCGM4-50
Stainless Steel Cover Screw (50 Pack) [M4 - 0.7 x 25mm]	SC583-50
Steel Inner Panel	1590ZGRP083PL
Hinge Kit Black (2 Pack)	1427HKBK

**HAMMOND  
MANUFACTURING®**

**1590ZGRP083BK**

www.hammondmfg.com