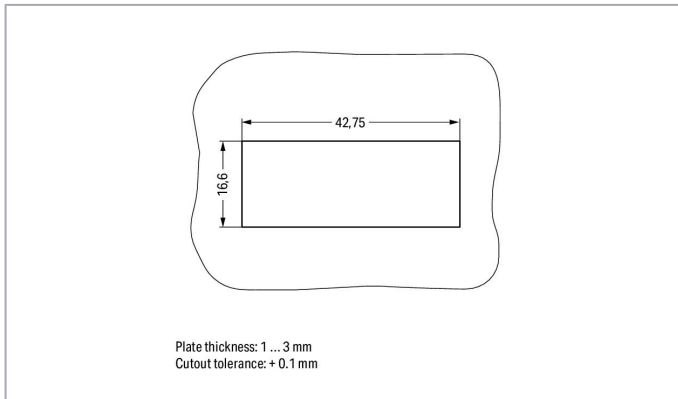
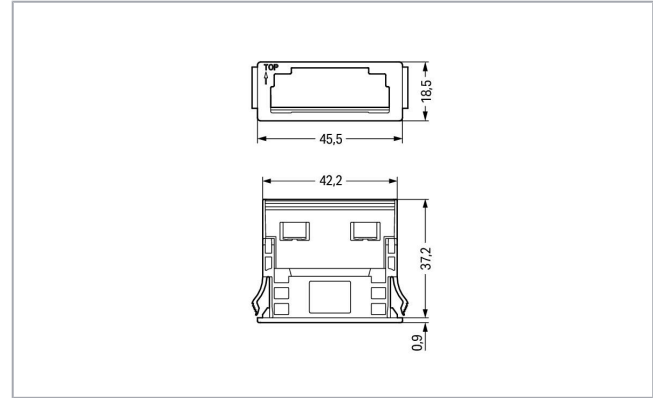


## Data sheet | Item number: 770-319

Snap-in frame; 4-pole; 0.5 ... 2.0 mm; black

[www.wago.com/770-319](http://www.wago.com/770-319)



### Data

#### Physical data

Width	45.5 mm / 1.791 inch
Height	18.5 mm / 0.728 inch
Depth	37.2 mm / 1.465 inch

Subject to changes. Please also observe the further product documentation!

WAGO Kontakttechnik GmbH & Co. KG  
Hansastr. 27  
32423 Minden  
Phone: +49571 887-0 | Fax: +49571 887-169  
Email: [info.de@wago.com](mailto:info.de@wago.com) | Web: [www.wago.com](http://www.wago.com)

Do you have any questions about our products?  
We are always happy to take your call at +49 (571) 887-44222.

## Mechanical data

Housing sheet thickness	1 ... 3 mm / 0.039 ... 0.118 inch
Mounting type	Snap-in
Suitable	for socket and plug

## Material data

Color	black
Insulation material	Polyamide (PA66)
Flammability class per UL94	V0
Weight	4.3 g

## Environmental requirements

Processing temperature	-5 ... +40 °C
Continuous operating temperature	-35 ... +85 °C
Note on continuous operating temperature	Insulating parts for temperatures ≤ 105 °C

## Commercial data

Packaging type	lamination
Country of origin	DE
GTIN	4055143404945
Customs tariff number	85366990990

## Compatible products

### Locking lever



**Item no.: 770-140**  
Locking lever; for sockets and plugs; for tool operation; gray

[www.wago.com/770-140](http://www.wago.com/770-140)

## Downloads

### Documentation

#### Bid Text

770-319 doc - Datei	13. 4. 2017	doc 24.1 kB	Download
770-319	19. 2. 2019	xml 2.6 kB	Download

Subject to changes. Please also observe the further product documentation!

X81 - Datei

---

## CAD/CAE-Data

### CAE data

ZUKEN Portal 770-319

[URL](#)

[Download](#)

---

### CAD data

2D/3D Models 770-319

[URL](#)

[Download](#)

---

## Environmental Product Compliance

### Compliance Search

Environmental Product Compliance 770-319

[URL](#)

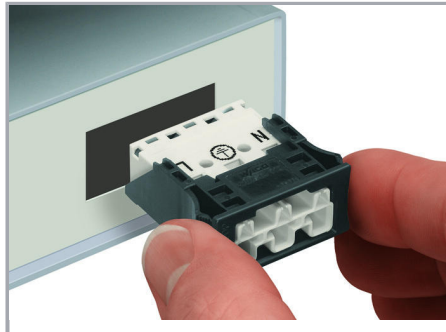
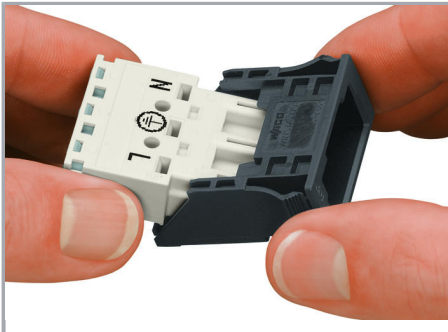
[Download](#)

Snap-in frame; 4-pole; 0.5 ... 2.0 mm; black

---

## Installation Notes

### Installation



Insert the socket or plug into the frame (observe the "TOP" marking on the frame!), then snap the assembled unit into the cutout.

Snap the assembled unit into the cutout.

## Product family

<i>WINSTA</i>® MIDI

[Show all products from the family](#)

Subject to changes. Please also observe the further product documentation!

---

WAGO Kontakttechnik GmbH & Co. KG

Hansastr. 27

32423 Minden

Phone: +49571 887-0 | Fax: +49571 887-169

Email: [info.de@wago.com](mailto:info.de@wago.com) | Web: [www.wago.com](http://www.wago.com)

Do you have any questions about our products?

We are always happy to take your call at +49 (571) 887-44222.