

Data sheet Product SK 400 20 1 x M3 L

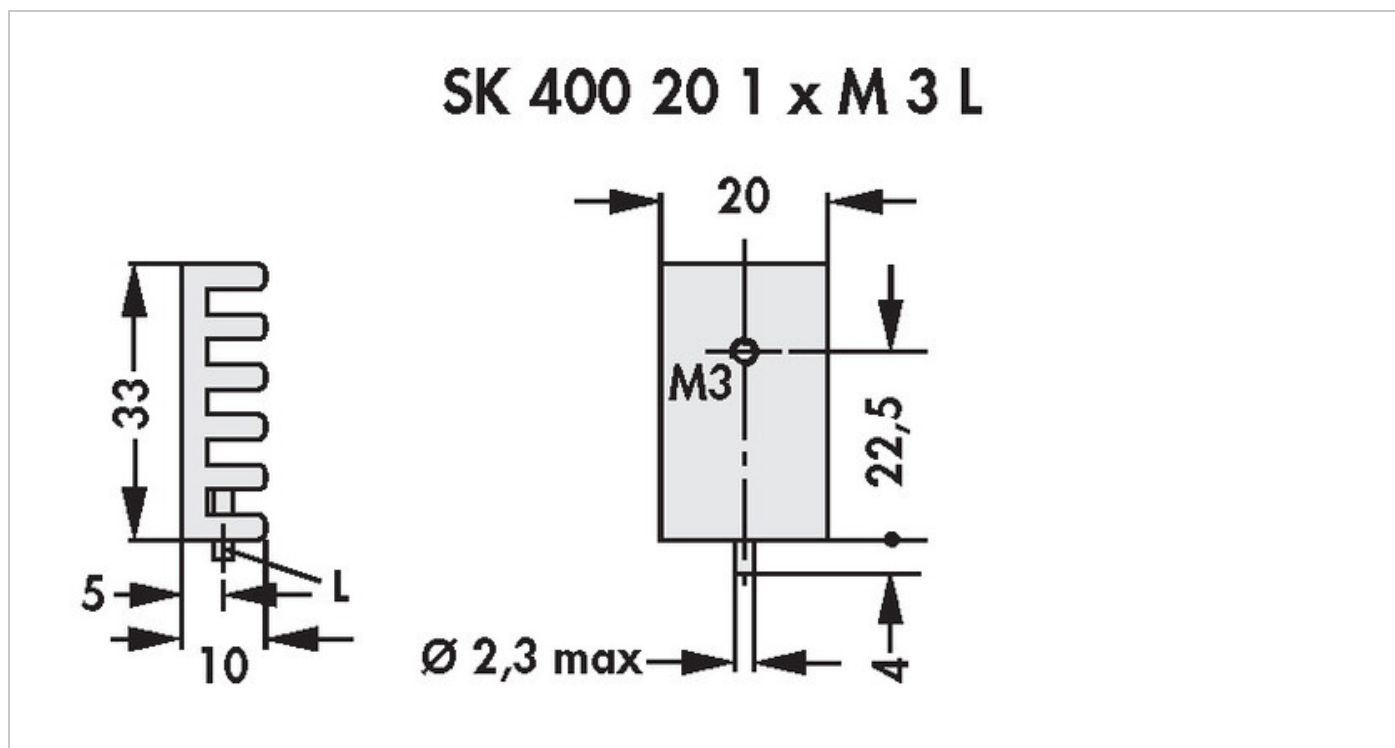


Profile heatsinks and liquid coolers > Extruded heatsinks for PCB mounting
33 x 10 mm, for transistor-design TO 218, TO 220, TO 247, TO 3 P

Features

way of fixation:	transistor screw mounting
width:	10 mm
height:	33 mm
plate thickness:	3 mm
length:	20 mm
thermal resistance:	11.6 K/W
drilling pattern:	<ul style="list-style-type: none">• TO 218• TO 220• TO 247• TO 248• TO 3 P
surface:	black anodised

Technical Drawing



Fischer Elektronik GmbH & Co. KG
DEUTSCHLAND • GERMANY • ALLEMAGNE

Nottebohmstraße 28
58511 Lüdenscheid

Telefon +49 2351 435-0
Telefax +49 2351 45754

info@fischerelektronik.de
www.fischerelektronik.de