

5

4

3

2

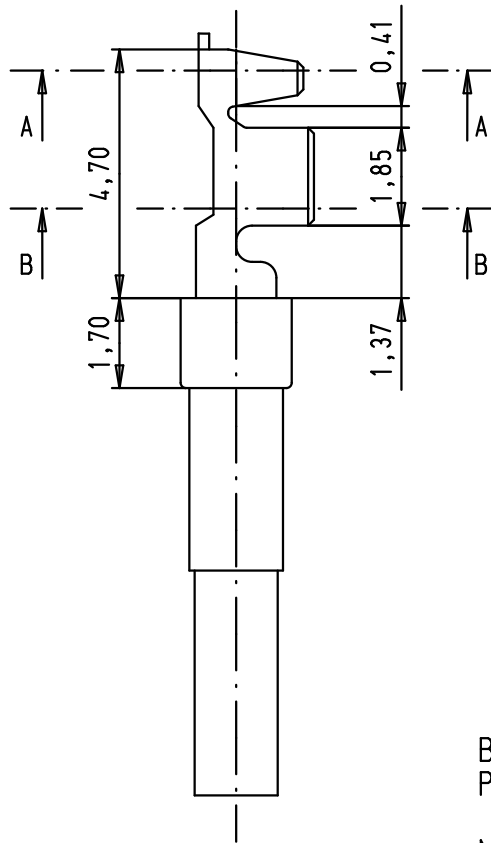
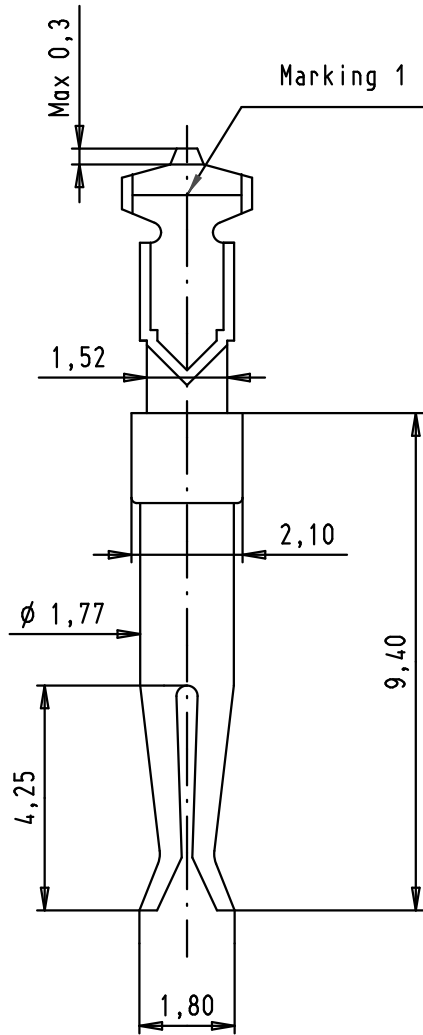
1

D

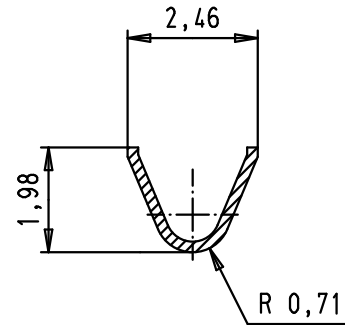
C

B

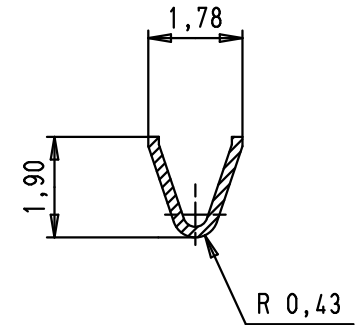
A



Section A-A



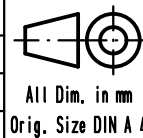
Section B-B



Base material: brass
 Plating: sliding contact selective gold plated over nickel
 nickel plated crimp area
 Number of contacts per bag: 500

09 67 000 8278	PL2
09 67 000 8277	PL3
09 67 000 8276	PL1
Part number	Performance level

			Det.	Name
			24/03/03	PP
36288	13/01/12	SD	Insp. 13/01/12	JB
33937	05/03/07	PK	Stand.	
32716	18/02/05	AL		
31476	24/03/03	PP		
Mod.	Det.	Name	HARTING EURL F-95972 Paris	



All Dim. in mm
 Orig. Size DIN A 4

D-Sub, stamped female
 AWG 20-24 crimp contact,
 bag packaging

Maßstab/
 Scale
 7:1

TB 09 67 000 827X
 Sub.

Blatt/ Page
 1 / 1