



If you want to learn more about our products, please visit our website at www.mikroe.com

If you are experiencing some problems with any of our products or just need additional information, please place your ticket at www.mikroe.com/esupport

If you have any questions, comments or business proposals, do not hesitate to contact us at office@mikroe.com

HW REV. 1.01

Copyright 2003-2012 by MikroElektronika. All rights reserved.

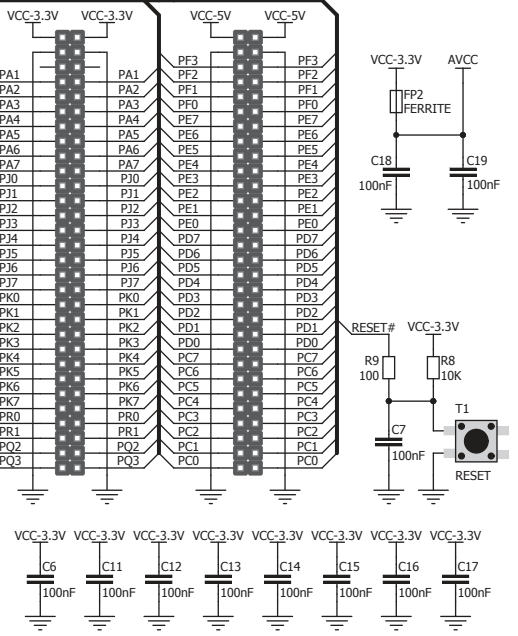
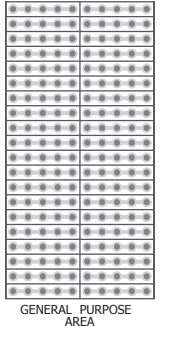
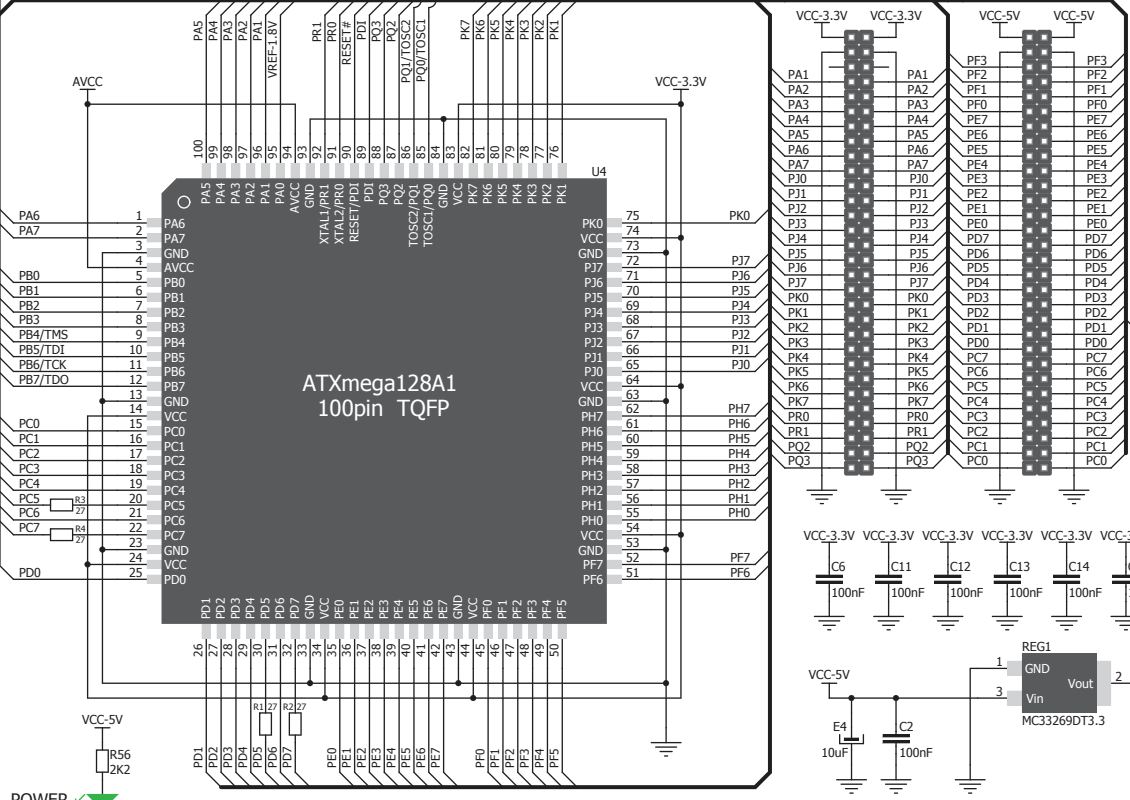
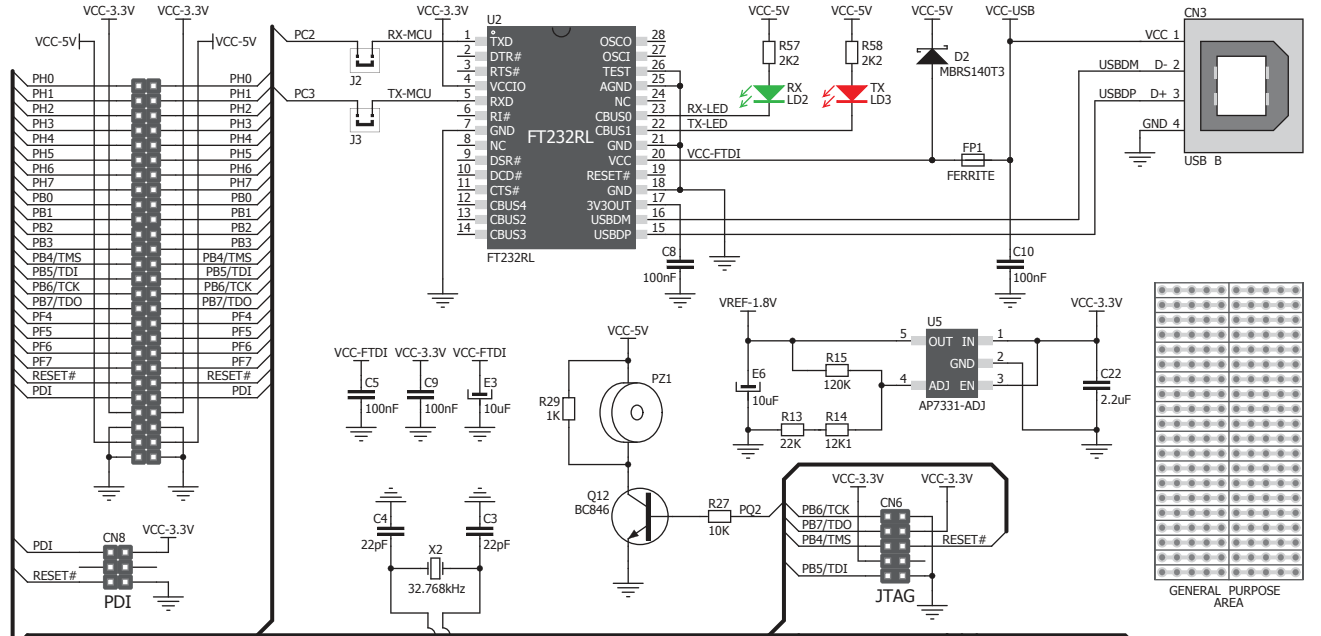
Ready for XMEGA Schematics
ver. 1.00



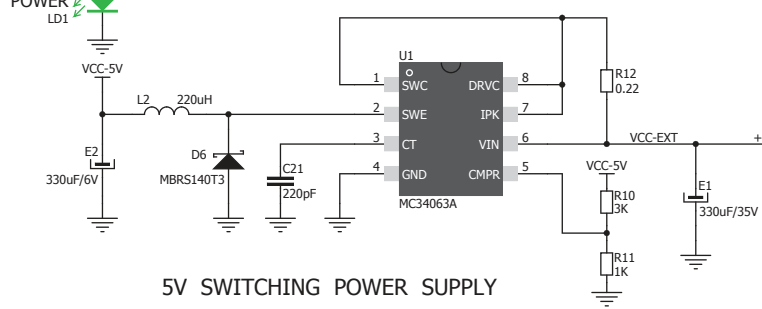
SCHEMATICS

Ready™ for XMEGA®

We present you with a complete color schematics for Ready™ for XMEGA® development board. We want you to know what your board is consisted of and how it actually works.



3.3V VOLTAGE REGULATOR



5V SWITCHING POWER SUPPLY