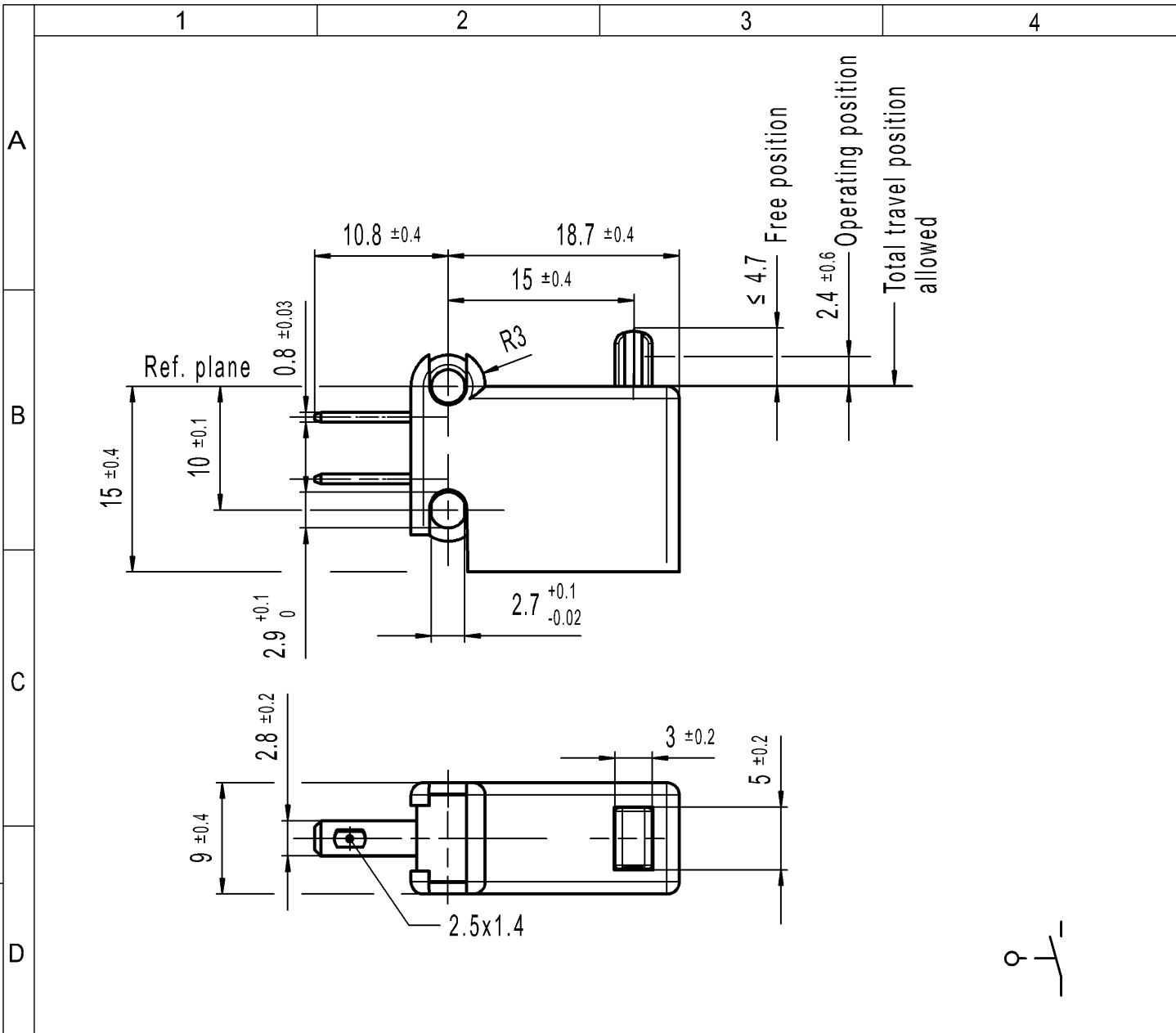


CONFIDENTIAL

VERTRAULICH

THIS DRAWING IS THE EXCLUSIVE PROPERTY OF MARQUARDT. WITHOUT THEIR CONSENT IT MAY NOT BE REPRODUCED OR GIVEN TO THIRD PARTIES.

Alle Rechte bei Marquardt, auch fuer den Fall von Schutzrechtsanmeldungen. Jede Veruegungsbefugnis, wie Kopier- und Weitergaberecht, bei uns.



Marking



1019.
6(2)/250~T85



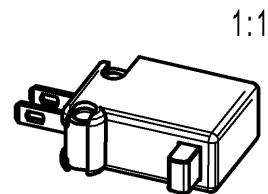
5A 125-250V AC

R57

Single pole normally open

Actuating force 1.5...3.0N

Movement differential ≤ 1.2mm



1:1

-		-		-		1019.5101-XX				
Figure		Type		Customer No.		Art.No.-PI				
General tolerances				Sheet 01			Ident.	Document number	Index	
All dimensions are in millimetres	Shape and location 	Angle ± 2 °	Edge tolerance 	Length	Radii		K	10195101	d	
				0-6	± 0.1	± 0.2				
				>6-15	± 0.15	± 0.3				
				>15-30	± 0.2	± 0.5				
				>30-70	± 0.3	± 10%				
>70-120	± 0.4									
>120	± 0.8									
d	131778	2020-11-02	ROECKK	System NX V11.0			Snap Action Switch			
c	29172	2000-04-07	GUE	Replacement of Zg.gl.Nr.v.07.04.2000						
b	22658	1994-02-08	GUE							
Index	MEC-No.	Date (YYYY-MM-DD)	Edited by							