

RG 125-19/18 NH

DC centrifugal compact fan

single inlet



ebm-papst St. Georgen GmbH & Co. KG

Hermann-Papst-Str. 1

D-78112 St. Georgen

Phone +49 (0) 7724 81-0

Fax +49 (0) 7724 81-1309

info2@de.ebmpapst.com

www.ebmpapst.com

Nominal data

Type	RG 125-19/18 NH	
Nominal voltage	VDC	48
Nominal voltage range	VDC	36 .. 56
Speed	min ⁻¹	4000
Power input	W	19
Min. ambient temperature	°C	-20
Max. ambient temperature	°C	70
Air flow	m ³ /h	137
Sound power level	B	7

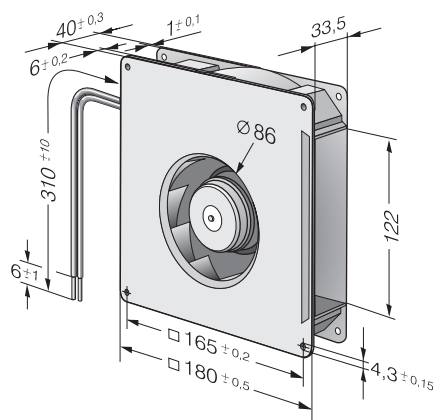
ml = Max. load · me = Max. efficiency · fa = Running at free air · cs = Customer specs · cu = Customer unit
Subject to alterations



Technical features

General description	Backward-curved impeller
Mass	0.730 kg
Dimensions	180 x 180 x 40 mm
Material of impeller	Fiberglass-reinforced plastic
Housing material	Scroll housing of fiberglass-reinforced plastic, housing base of sheet steel.
Direction of air flow	Axial air intake, centrifugal air exhaust out of the outlet.
Bearing	Ball bearings
Lifetime L10 at 40 °C	55000 h
Lifetime L10 at maximum temperature	27500 h
Connection line	Flat connector 6.3 x 0.8 mm for protective earth
Motor protection	Protected against reverse polarity and locking.

Product drawing



Charts: Air flow

