



**PCB terminal block; Locking slides; 0.5 mm²; Pin spacing 2.5 mm;
13-pole; CAGE CLAMP®**

Item No.: 218-113



PCB terminal block; Locking slides; 0.5 mm²; Pin spacing 2.5 mm; 13-pole; CAGE CLAMP®

Marking

RoHS ✓
Compliant

Business data

Supplier	WAGO
Item no.	218-113
GTIN / EAN	4044918877947
Content	1
Order amount	35
Customer item number	

Notes

Item description: Terminal strips are just 8.1mm high and feature an innovative, locking slide-actuated CAGE CLAMP®. Several clamping units can be held open simultaneously. Easy termination of stranded conductors in tight spaces (e.g., bus connectors).

Technical data

Miscellaneous

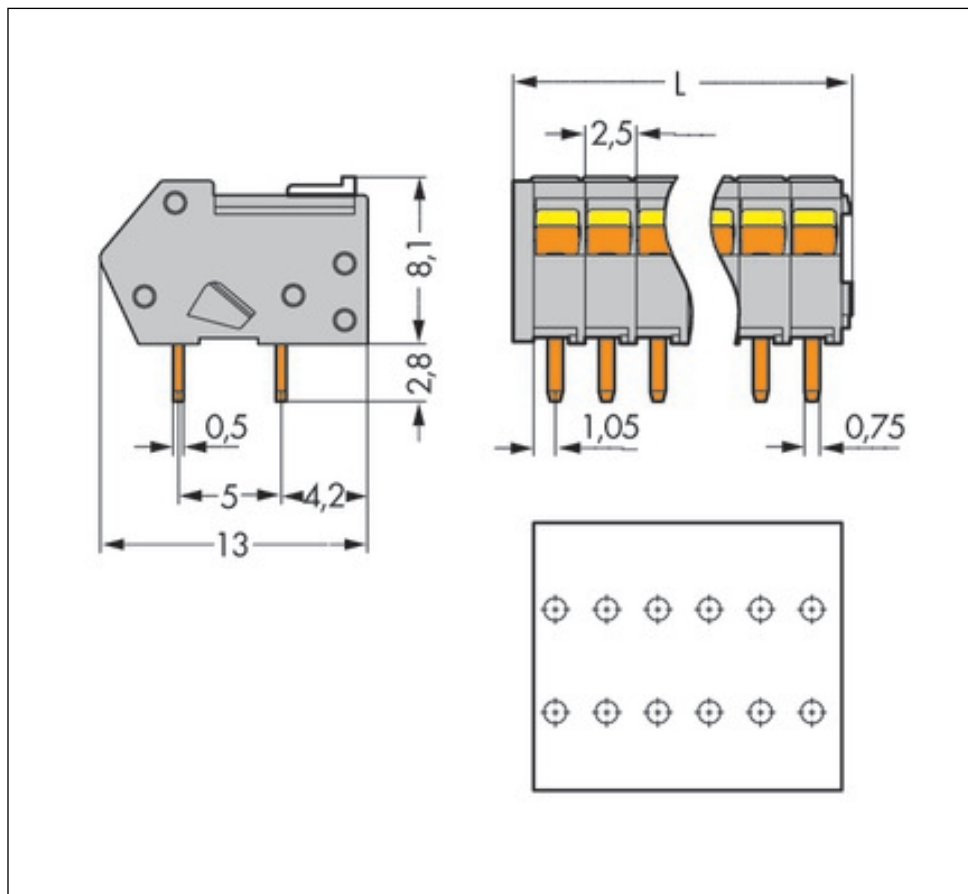
No. of poles	13
Pin spacing	2.5 mm (0.098 in)
Total number of connection points	13

Technical data	
Total number of potentials	13
Color	gray
Ratings per	IEC/EN 60664-1
Rated voltage (III / 3) [V]	80 [V]
Rated impulse voltage (III / 3) [kV]	2.5 [kV]
Rated voltage (III/2) [V]	160 [V]
Rated impulse voltage (III / 2) [kV]	2.5 [kV]
Rated voltage (II / 2) [V]	320 [V]
Rated impulse voltage (II / 2) [kV]	2.5 [kV]
Rated current [A]	6 [A]
Legend for ratings	(III / 2) Overvoltage category III /
Number of connection objects	1
Number of levels	1
Connection technology	CAGE CLAMP®
Number of connection points connector	1
Actuation type	Confirmation slide switch
Solid conductor	0.08 ... 0.5 mm ² / 28 ... 20 AWG
Fine-stranded conductor	0.08 ... 0.5 mm ² / 28 ... 20 AWG
Fine-stranded conductor with ferrule with plastic collar	0.25 mm ² / AWG
Fine-stranded conductor with ferrule without plastic collar	0.25 mm ² / AWG
Strip length	5 ... 6 mm / 0.2 ... 0.24 Inch
Conductor entry angle to the PCB [°]	40 [°]
Solder pin arrangement	in line
Solder pin length [mm]	2.8 [mm]
Drilled hole diameter (tolerance) [mm]	1.1(+ 0.1) [mm]
Material group	I
Insulating material	Polyamide 66 (PA 66)
Flammability class per UL94	V0
Limit temperature range	-60 ... 105 C
Clamping spring material	Chrome-nickel spring steel (CrNi)
Contact material	Electrolytic copper (Ecu)
Contact plating	tin-plated
Fire load [MJ]	0.055 [MJ]
Weight [g]	4.328 [g]

Technical data	
<i>Width</i>	<i>34 mm / 1.339 Inch</i>
<i>Height</i>	<i>10.9 mm / 0.429 Inch</i>
<i>Height from the surface</i>	<i>8.1 mm / 0.319 Inch</i>
<i>Depth</i>	<i>13 mm / 0.512 Inch</i>

Images & drawings





Address

WAGO Kontakttechnik GmbH & Co. KG

Hansastr. 27

32423 Minden

Telefon: 0571/887-0

Fax: 0571/887-169

<http://www.wago.com>

© WAGO Kontakttechnik GmbH & Co. KG

Technische Änderungen und Irrtümer vorbehalten.