

Antenna Cable

YSAN026xx Datasheet

Antenna Services

Version: 1.0

Date: 2022-08-08

Status: Released



At Quectel, our aim is to provide timely and comprehensive services to our customers. If you require any assistance, please contact our headquarters:

Quectel Wireless Solutions Co., Ltd.

Building 5, Shanghai Business Park Phase III (Area B), No.1016 Tianlin Road, Minhang District, Shanghai 200233, China

Tel: +86 21 5108 6236

Email: info@quectel.com

Or our local offices. For more information, please visit:

<http://www.quectel.com/support/sales.htm>.

For technical support, or to report documentation errors, please visit:

<http://www.quectel.com/support/technical.htm>.

Or email us at: support@quectel.com.

Legal Notices

We offer information as a service to you. The provided information is based on your requirements and we make every effort to ensure its quality. You agree that you are responsible for using independent analysis and evaluation in designing intended products, and we provide reference designs for illustrative purposes only. Before using any hardware, software or service guided by this document, please read this notice carefully. Even though we employ commercially reasonable efforts to provide the best possible experience, you hereby acknowledge and agree that this document and related services hereunder are provided to you on an “as available” basis. We may revise or restate this document from time to time at our sole discretion without any prior notice to you.

Use and Disclosure Restrictions

License Agreements

Documents and information provided by us shall be kept confidential, unless specific permission is granted. They shall not be accessed or used for any purpose except as expressly provided herein.

Copyright

Our and third-party products hereunder may contain copyrighted material. Such copyrighted material shall not be copied, reproduced, distributed, merged, published, translated, or modified without prior written consent. We and the third party have exclusive rights over copyrighted material. No license shall be granted or conveyed under any patents, copyrights, trademarks, or service mark rights. To avoid ambiguities, purchasing in any form cannot be deemed as granting a license other than the normal non-exclusive, royalty-free license to use the material. We reserve the right to take legal action for noncompliance with abovementioned requirements, unauthorized use, or other illegal or malicious use of the material.

Trademarks

Except as otherwise set forth herein, nothing in this document shall be construed as conferring any rights to use any trademark, trade name or name, abbreviation, or counterfeit product thereof owned by Quectel or any third party in advertising, publicity, or other aspects.

Third-Party Rights

This document may refer to hardware, software and/or documentation owned by one or more third parties (“third-party materials”). Use of such third-party materials shall be governed by all restrictions and obligations applicable thereto.

We make no warranty or representation, either express or implied, regarding the third-party materials, including but not limited to any implied or statutory, warranties of merchantability or fitness for a particular purpose, quiet enjoyment, system integration, information accuracy, and non-infringement of any third-party intellectual property rights with regard to the licensed technology or use thereof. Nothing herein constitutes a representation or warranty by us to either develop, enhance, modify, distribute, market, sell, offer for sale, or otherwise maintain production of any our products or any other hardware, software, device, tool, information, or product. We moreover disclaim any and all warranties arising from the course of dealing or usage of trade.

Privacy Policy

To implement module functionality, certain device data are uploaded to Quectel’s or third-party’s servers, including carriers, chipset suppliers or customer-designated servers. Quectel, strictly abiding by the relevant laws and regulations, shall retain, use, disclose or otherwise process relevant data for the purpose of performing the service only or as permitted by applicable laws. Before data interaction with third parties, please be informed of their privacy and data security policy.

Disclaimer

- a) We acknowledge no liability for any injury or damage arising from the reliance upon the information.
- b) We shall bear no liability resulting from any inaccuracies or omissions, or from the use of the information contained herein.
- c) While we have made every effort to ensure that the functions and features under development are free from errors, it is possible that they could contain errors, inaccuracies, and omissions. Unless otherwise provided by valid agreement, we make no warranties of any kind, either implied or express, and exclude all liability for any loss or damage suffered in connection with the use of features and functions under development, to the maximum extent permitted by law, regardless of whether such loss or damage may have been foreseeable.
- d) We are not responsible for the accessibility, safety, accuracy, availability, legality, or completeness of information, advertising, commercial offers, products, services, and materials on third-party websites and third-party resources.

Copyright © Quectel Wireless Solutions Co., Ltd. 2022. All rights reserved.

About the Document

Revision History

Version	Date	Author	Note
-	2022-08-08	Sly LIU	Creation of the document
1.0	2022-08-08	Sly LIU	First official release

Contents

About the Document	3
Contents	4
1 Product Description	5
2 Product Features	5
3 Product Specifications	6
3.1. Cable Construction.....	6
3.2. Electrical Properties and Mechanical Properties	6
4 Overall Performance	7
4.1. Test Environment	7
5 Product Size	8

1 Product Description

To meet the requirements of devices for RF connection among antennas, modules, and motherboards, as well as long-distance wiring, Quectel provides customers with a wide range of RF cable products. These cables use high-quality materials and connectors to reduce the loss to the greatest extent, ensuring overall RF performance. Quectel also provides customized services according to customers' particular requirements for cable material, cable length, and connector type.

This datasheet is applicable for the following five cable assembly products (O-ring can effectively strengthen the waterproof performance of RF connector.):

- YSAN026AA (With O-ring)
- YSAN026BA (With O-ring)
- YSAN026CA (With O-ring)
- YSAN026DA (With O-ring)
- YSAN026EA (With O-ring)

2 Product Features

- Low loss
- Water Resistant



3 Product Specifications

3.1. Cable Construction

Item	Material	Diameter (mm)
Conductor	Silver plated copper wire	0.24
Insulator	FEP	0.7
Shield	Tinned copper wire	0.92
Jacket	FEP	1.13

3.2. Electrical Properties and Mechanical Properties

Item	Value
Impedance	50 \pm 2 Ω
Operating Frequency	DC–6000 MHz
Connector Type	RP SMA Female to IPEX I
Operation Temperature	-20 °C to +85 °C
Return Loss	\geq 20 dB

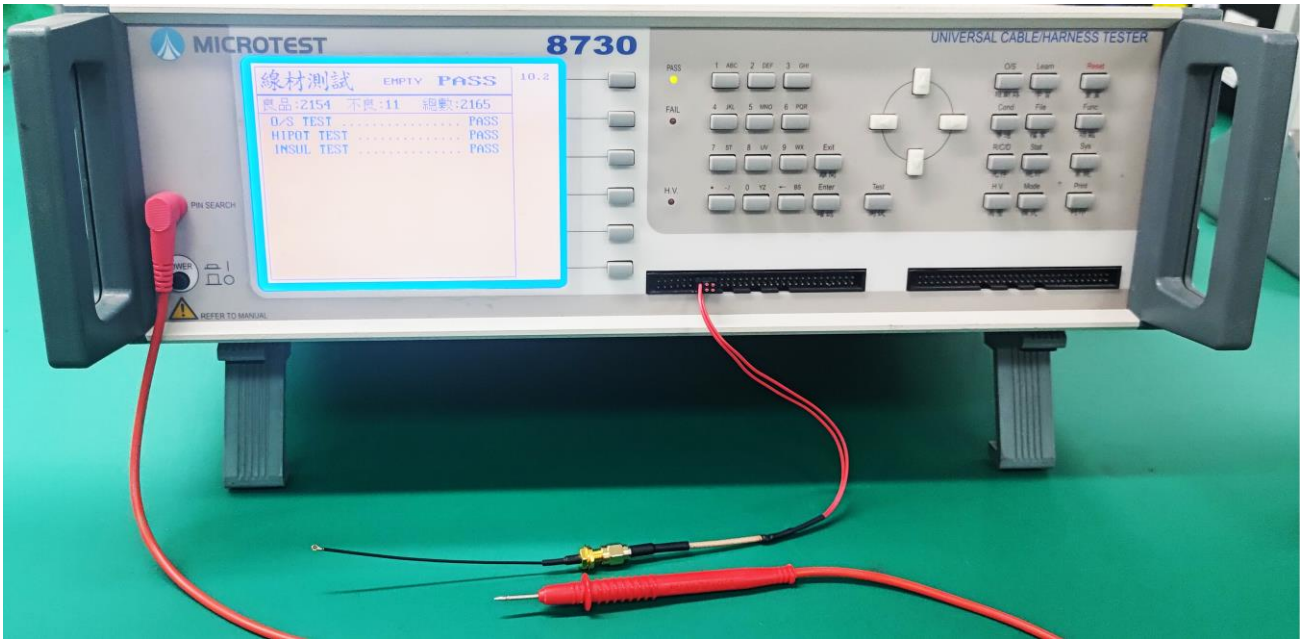
Screening Effectiveness
 500 MHz – 1 GHz: \geq -50 dB
 1–3 GHz: \geq -60 dB; 3–6 GHz: \geq -65 dB

Frequency	Insertion Loss (dB)				
	YSAN026AA	YSAN026BA	YSAN026CA	YSAN026DA	YSAN026EA
698 MHz	-0.27	-0.35	-0.41	-0.49	-0.57
960 MHz	-0.32	-0.42	-0.49	-0.60	-0.69
1710 MHz	-0.42	-0.55	-0.66	-0.80	-0.93
2690 MHz	-0.53	-0.70	-0.88	-1.03	-1.17
3300 MHz	-0.62	-0.83	-0.99	-1.13	-1.42
3800 MHz	-0.65	-0.86	-1.03	-1.22	-1.43
4400 MHz	-0.76	-1.03	-1.22	-1.42	-1.61
5000 MHz	-0.74	-1.06	-1.24	-1.42	-1.72
5800 MHz	-0.90	-1.32	-1.38	-1.62	-1.94

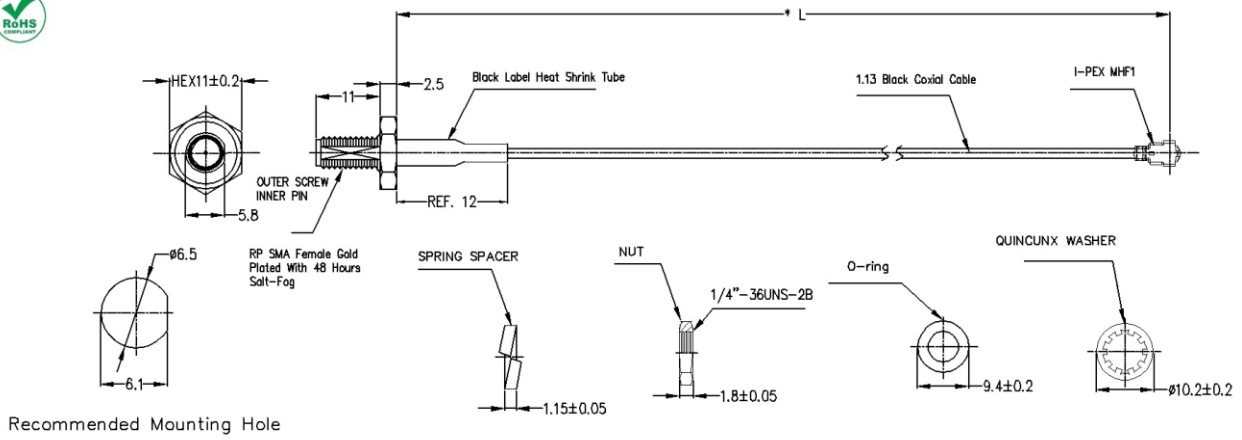
4 Overall Performance

4.1. Test Environment

- Cable/Harness Tester: WB-500, 100 kHz – 6.0 GHz



5 Product Size



RP-SMA CONNECTOR
(Inner MALE PIN)

OC	* Length (mm)	Weight (g)
YSAN026AA (With O-ring)	100 ±2 mm	4.65
YSAN026BA (With O-ring)	150 ±3 mm	4.79
YSAN026CA (With O-ring)	200 ±3 mm	4.97
YSAN026DA (With O-ring)	250 ±5 mm	5.15
YSAN026EA (With O-ring)	300 ±6 mm	5.29