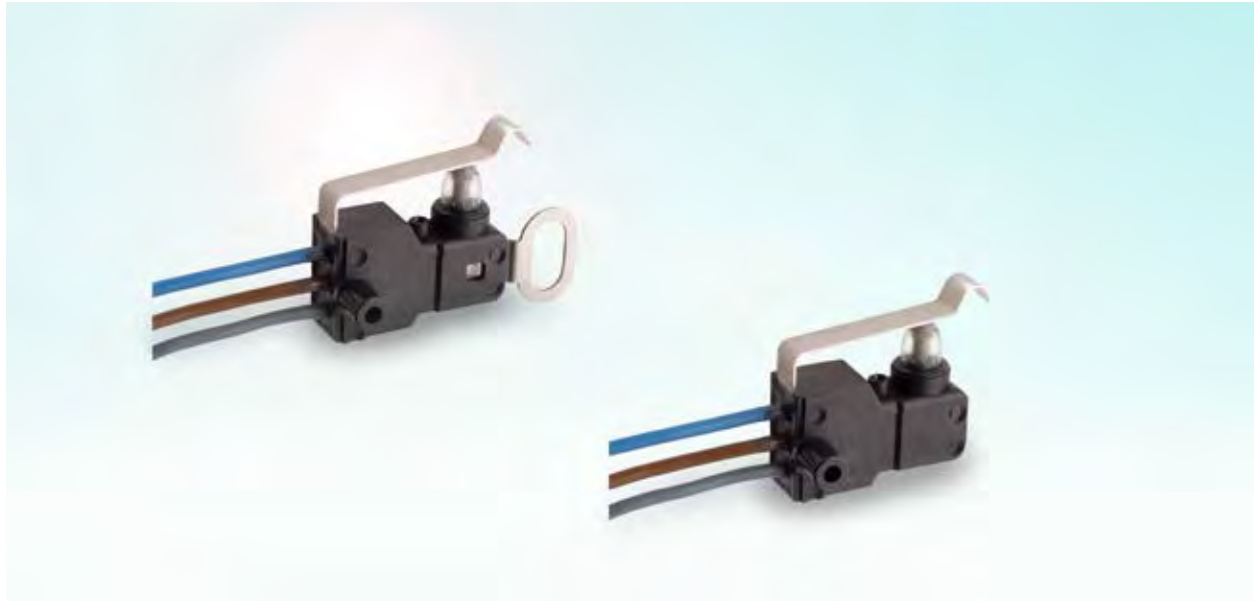




SERIES 1022 - SNAP-ACTION SWITCHES IP 67

TO 4 A 12 V DC



PRODUCT FEATURES

- Dust and water protection actuator and terminal side
- Ice-proof lever bearing
- Small size, large travels
- High switching reliability due to great contact forces directly after switching
- Series with different fastening possibilities

ON REQUEST

- Customized assembly with connecting plugs
- Other auxiliary actuators


Mechanical life endurance	10E4
Contact resistance (new condition)	< 100 mOhm (1 A 12 V DC)
Insulation resistance (new condition)	> 100 MOhm (500 V DC)
Proof tracking	250 PTI
Protection type	IP 67
Ambient temperature	-40 °C ... +85 °C
Flammability	UL 94 V-2
Material	actuator additional actuator housing
	POM / silicone rubber stainless steel spring steel PBTP
Bounce time	< 5 ms
Contact distance	< 3 mm
Contact material	gold plated
Terminal description	500 mm long (terminal wires 0.5 mm ² molded with switch, tinned wire ends)



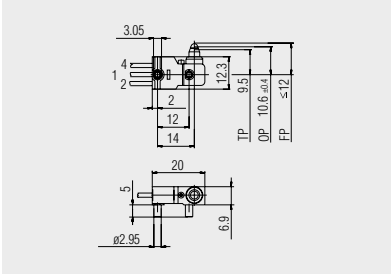
SERIES 1022 - SNAP-ACTION SWITCHES IP 67

TO 4 A 12 V DC

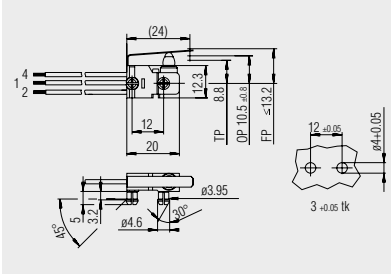
	4 A 12 V DC 10E4	2 A 24 V DC 10E4	Terminal type	Contact material	Operating force (N)	Operating position (OP) (mm)	Difference travel max. (mm)	Free position (FP) max. (mm)	Permissible total travel position (TP) (mm)	Actuator description	Lever drawing	Miscellaneous	Stock version
Changeover switch (SPDT momentary)													
1022.0101	○	○	┆	Au	< 2.5	10.6 ±0.4	0.6	12	9.5	□		pin right 5 long	
1022.2201	○	○	┆	Au	< 2.5	10.5 ±0.8	1.0	13.2	8.8	┆	L01	rest pin right	
1022.4501	○	○	┆	Au	< 2.5	13.4 ±0.9	1.0	15.5	11.6	┆	L21	1 pin right side adjustable operating position by top side metal eye ±2	○
1022.4502	○	○	┆	Au	< 2.5	13.4 ±0.9	1.0	15.5	11.6	┆	L21	1 pin left side adjustable operating position by top side metal eye ±2	




Basic type 1022



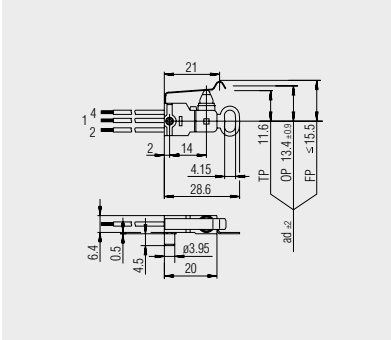
with pushbutton



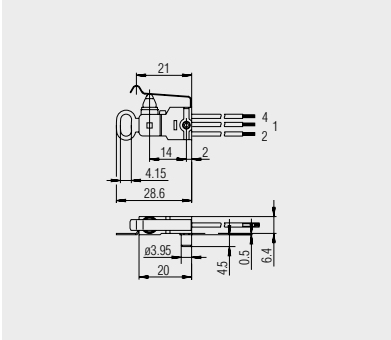
L01: straight lever and snap pin



Basic type 1022



L21: simulated roller lever, on centering pin and a metal eye.



With the elongated hole fastening the switch can be swiveled around the pin and then fixed with a screw. This makes the operating position adjustable by ±2 mm.

ROCKER SWITCHES
PUSHBUTTON SWITCHES
TOGGLE SWITCHES
SLIDE SWITCHES
ROTARY SWITCHES
FOOT SWITCHES
TACT AND KEY SWITCHES
SNAP-ACTION SWITCHES
MICRO-SIGNAL SWITCHES
SENSORS
ECO
PUSH IN DRIVE