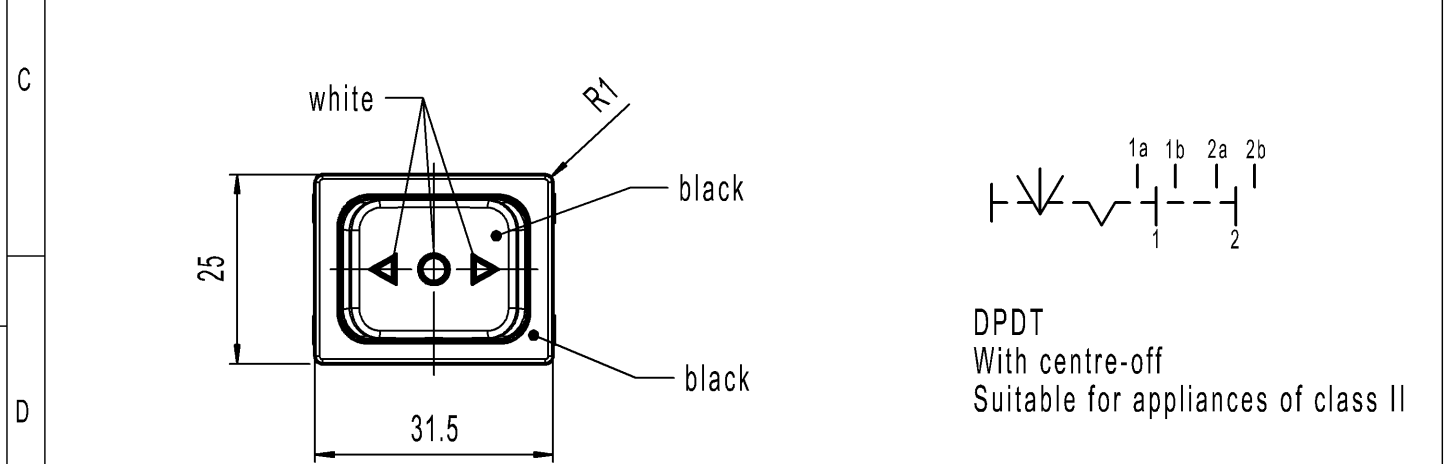
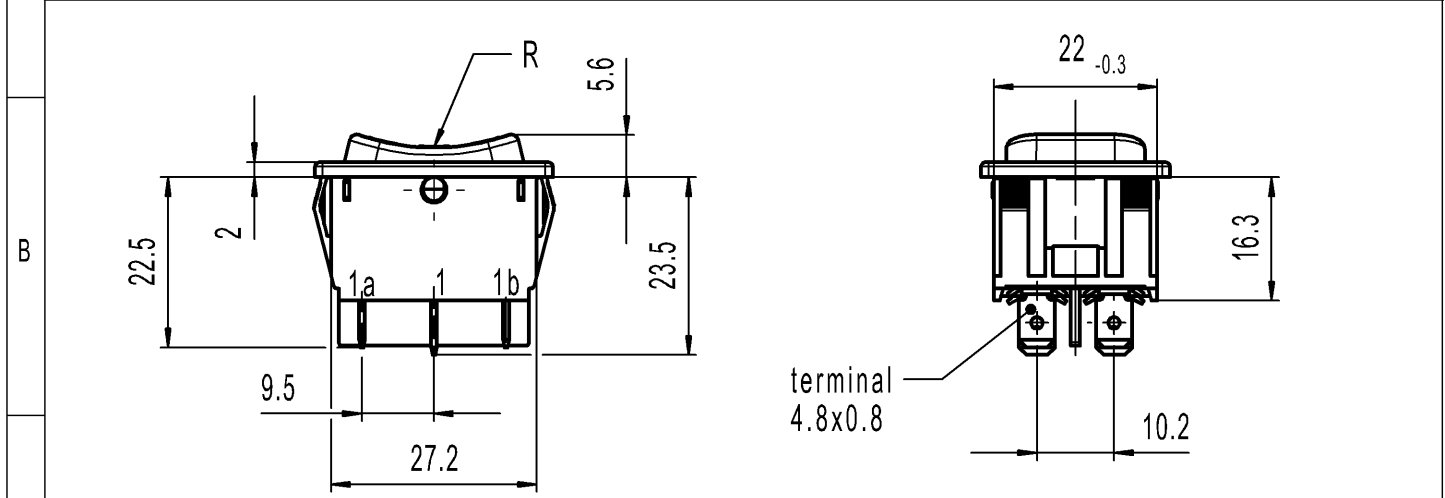


CONFIDENTIAL

VERTRAULICH

THIS DRAWING IS THE EXCLUSIVE PROPERTY OF MARQUARDT. WITHOUT THEIR CONSENT IT MAY NOT BE REPRODUCED OR GIVEN TO THIRD PARTIES.

A	recommended cut-out for snap-in fixing (edge opposite to snap-in direction)	1	2	3	4
			wall thickness	length of cut-out	width of cut-out
			0.75 to 1.25	30 -0.1	22+0.2
			1.25 to 2	30.2 -0.1	22+0.2
		2 to 3	30.6 -0.1	22+0.2	



Marking
 1839.
 6(4)/250~T105/55

6A 125-250V AC
 1/8 HP
 R58

Code of manufacture: place/year/week

Alle Rechte bei Marquardt, auch fuer den Fall von Schutzrechtsanmeldungen. Jede Veruegungsbefugnis, wie Kopier- und Weitergaberecht, bei uns.

-	-	-	1839.1511-XX
Figure	Type	Customer Part No.	Art.No.-PI
Shape and location	Angle $\pm 2^\circ$	Sheet 01	Ident. K
	Edge tolerance	Format DIN A4	Document number 18391511
	Length	Projection	Index h
	Radii	Scale 1:1	Appliance Switch
h	141196	All dimensions are in millimetres	
g	64508	System NX V1899	
f	29987	Replacement of	
e	24370	Zg.gl.Nr.v.25.11.1996	
Index	MEC-No.	Date (YYYY-MM-DD)	Edited by

©

