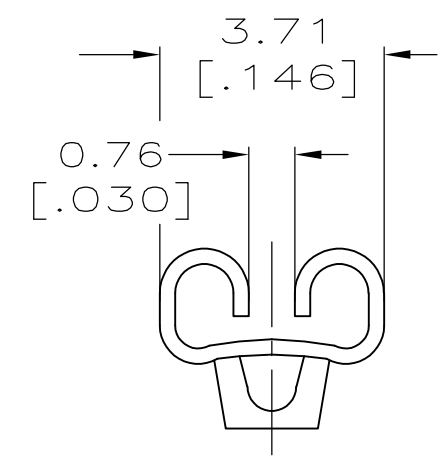
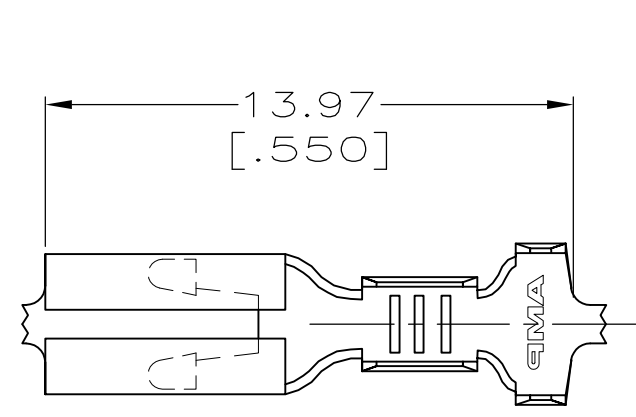


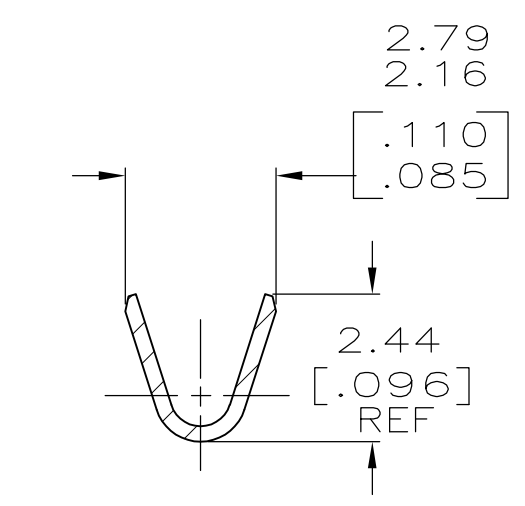
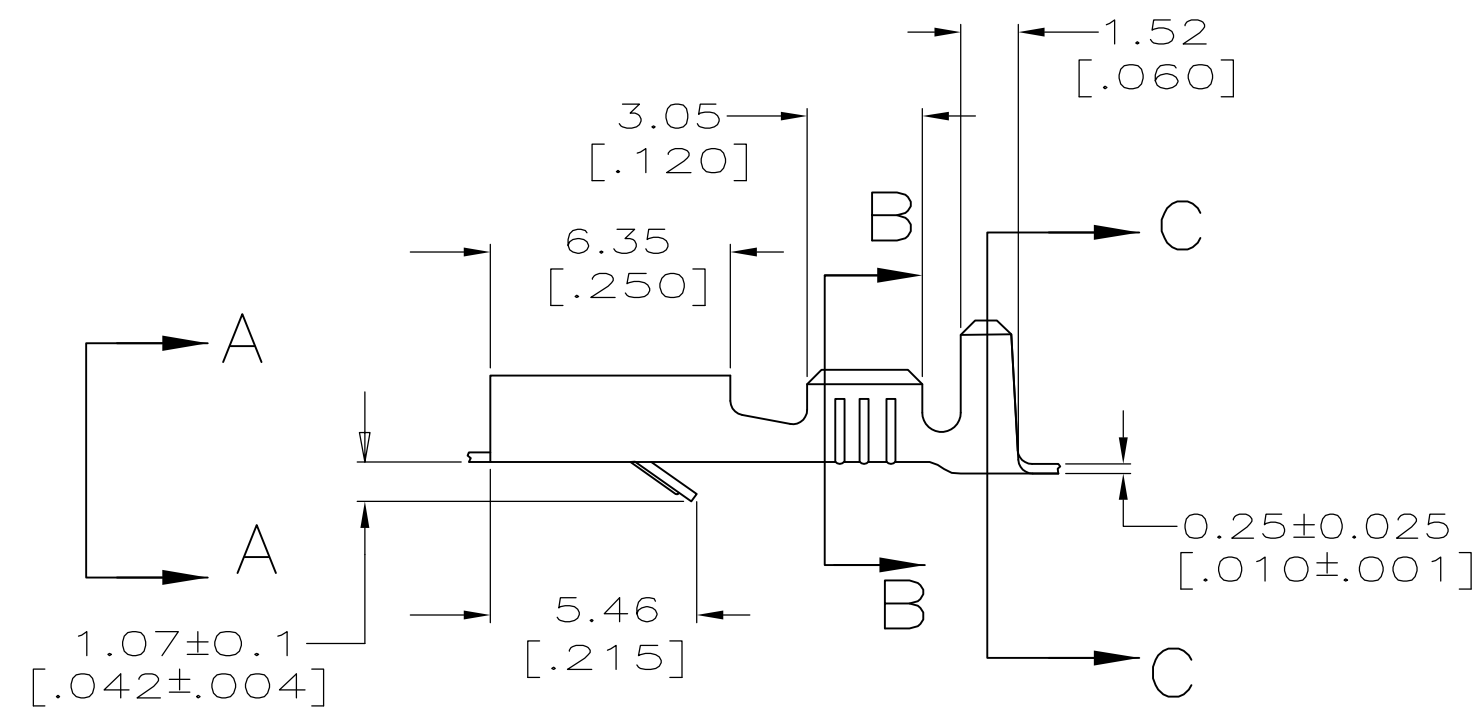
THIS DRAWING IS UNPUBLISHED. RELEASED FOR PUBLICATION
 © COPYRIGHT - By - ALL RIGHTS RESERVED.

LOC	DIST	REVISIONS			
P	LTR	DESCRIPTION	DATE	DWN	APVD
AF	50	M	REVISED PER ECR-13-005733	27AUG2013	KH PD

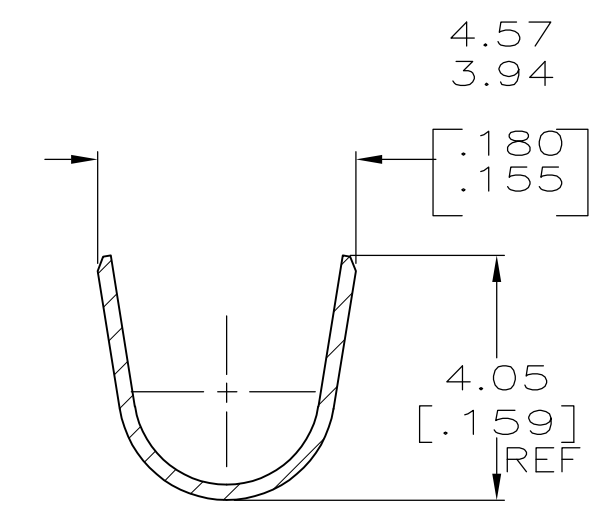


VIEW A-A
SCALE 8:1

- 1 CONTINUOUS STRIP ON REELS.
- 2 MATING TAB THK TO BE 0.51 ± 0.025 [.020 ± .001].
- 3 WIRE SIZE IS [#22-#18] AWG.
- 4 INSULATION RANGE IS 2.03-3.05 [.080-.120] DIA.



SECTION B-B
SCALE 8:1



SECTION C-C
SCALE 8:1

	PRE-TIN	63241-3
OBSOLETE	0.002032 [.000080] MIN TIN	63241-2
	-	63241-1
	FINISH	PART NO.

F	3.56 [.140]	3.96 [.156]	F	1.78 [.070]	0.94 [.037]	1.02 [.040]	1.14 [.045]	WIRE
TYPE	WIDTH	STRIP LENGTH ±0.38 ±[.015]	TYPE	WIDTH	±.051±.002 HEIGHT			
INSUL BARREL CRIMP		WIRE BARREL CRIMP						

THIS DRAWING IS A CONTROLLED DOCUMENT.

DWN	JR RUTH	3/27/97	 TE Connectivity	RECEPTACLE, FASTIN-FASTON, 2.79 [.110] SERIES						
CHK	MS FEHER	3/27/97								
APVD	J GILLESPIE	3/27/97								
PRODUCT SPEC	-	-								
APPLICATION SPEC	114-2065		SIZE	A3	CAGE CODE	00779	DRAWING NO	C-63241	RESTRICTED TO	-
WEIGHT	-		CUSTOMER DRAWING		SCALE	5:1	SHEET	1 OF 1	REV	M