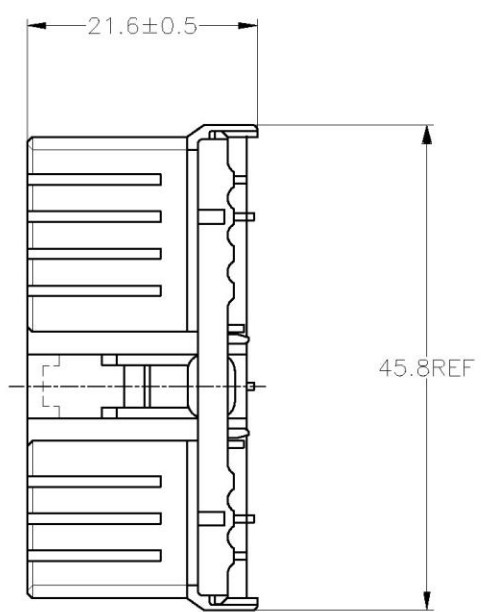
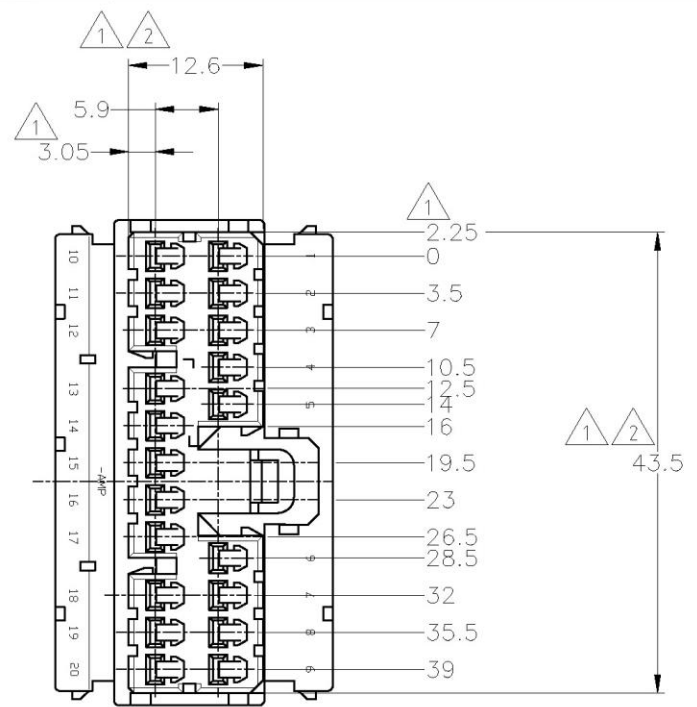
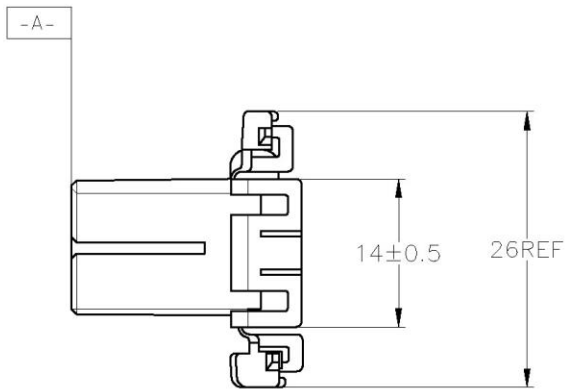


THIS DRAWING IS UNPUBLISHED. RELEASED FOR PUBLICATION  
 © COPYRIGHT - By - ALL RIGHTS RESERVED.

LOC	DIST	REVISIONS					
J	-	P	LTR	DESCRIPTION	DATE	DWN	APVD
		E3	REVISED	ECR-12-021403	13DEC2012	TS	KB



1. MUST BE KEPT BETWEEN **-A-** AND 2
  2. TO BE MATED WITH PLUG HOUSING SMOOTHLY
  3. APPLIED TAB CONTACT; P/N 173630 AND 173631
  4. APPLIED CAP HOUSING; P/N 173936 etc
- 
1. **-A-** 面より2mmの範囲で測定
  2. 相手ハウジングと所定の機能を満足して嵌合できること
  3. 内装するタブコンタクトは型番173630、173631
  4. 嵌合相手ハウジング型番174936 他



V-2	自然色 (NATURAL)	1-174952-1
HB	黄 (YELLOW)	174952-7
	灰 (GRAY)	174952-6
	青 (BLUE)	174952-5
	緑 (GREEN)	174952-4
	自然色 (NATURAL)	174952-1
使用材料難燃グレード (FLAMMABILITY OF MATERIAL)	色 (COLOR)	型番 (PART NUMBER)

THIS DRAWING IS A CONTROLLED DOCUMENT.

DIMENSIONS: mm	TOLERANCES UNLESS OTHERWISE SPECIFIED:	DWN S.FUJITA 09DEC08	TE Connectivity
	0 PLC ± -	CHK K.BETSUI 09DEC08	
	1 PLC ± -	APVD K.BETSUI 09DEC08	
	2 PLC ± -	PRODUCT SPEC	
MATERIAL PBT	FINISH -	APPLICATION SPEC	NAME 070 SERIES MULTILOCK CONNECTOR 20POSITION PULG HOUSING
TOLERANCES UNLESS OTHERWISE SPECIFIED:	3 PLC ± -	WEIGHT -	SIZE A3
10% : ±0.2	4 PLC ± -	CUSTOMER DRAWING	CAGE CODE 00779
30% : >10 : ±0.25	ANGLES ± -	SCALE 2:1	DRAWING NO C=174952
>30 : ±0.3		SHEET 1 OF 1	RESTRICTED TO -
ANGLE : 3°		REV E3	