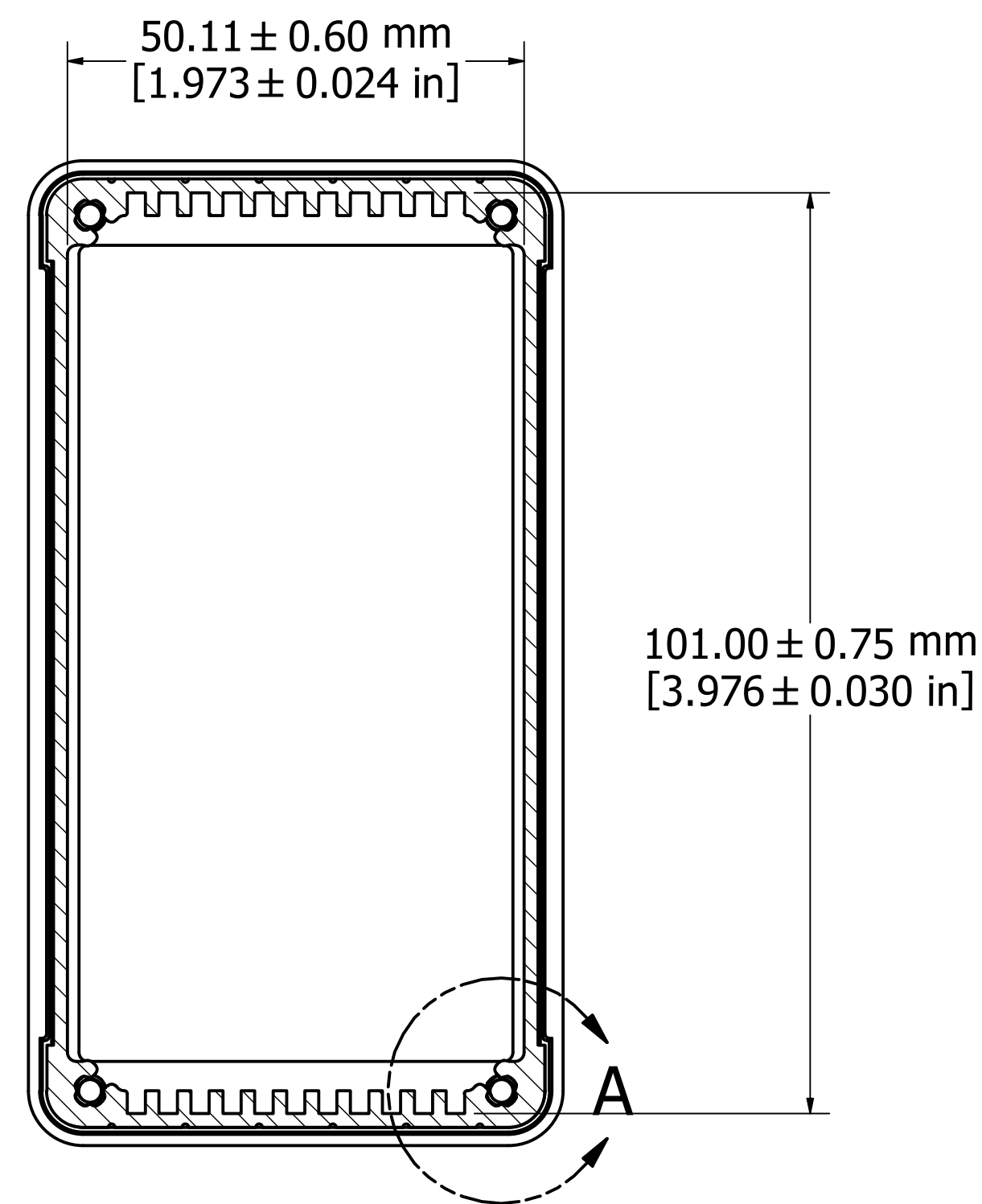
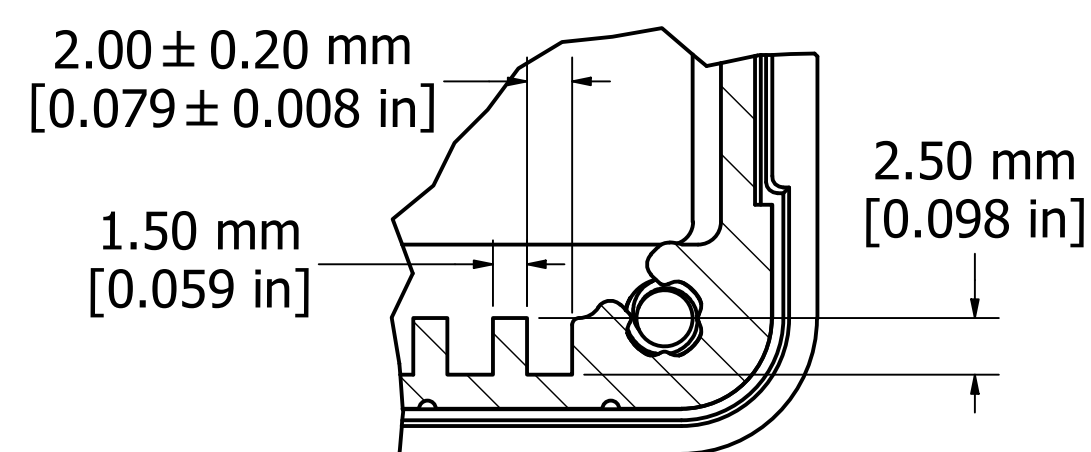


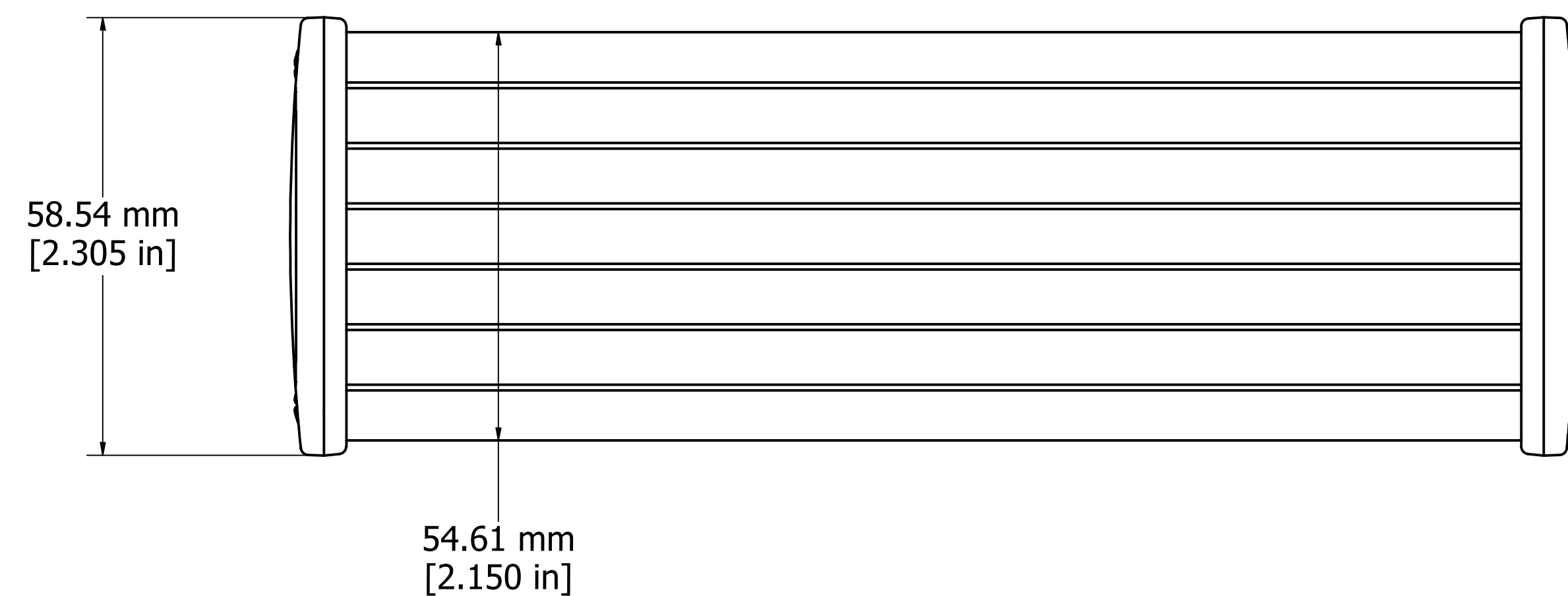
ASSEMBLY - TOP VIEW



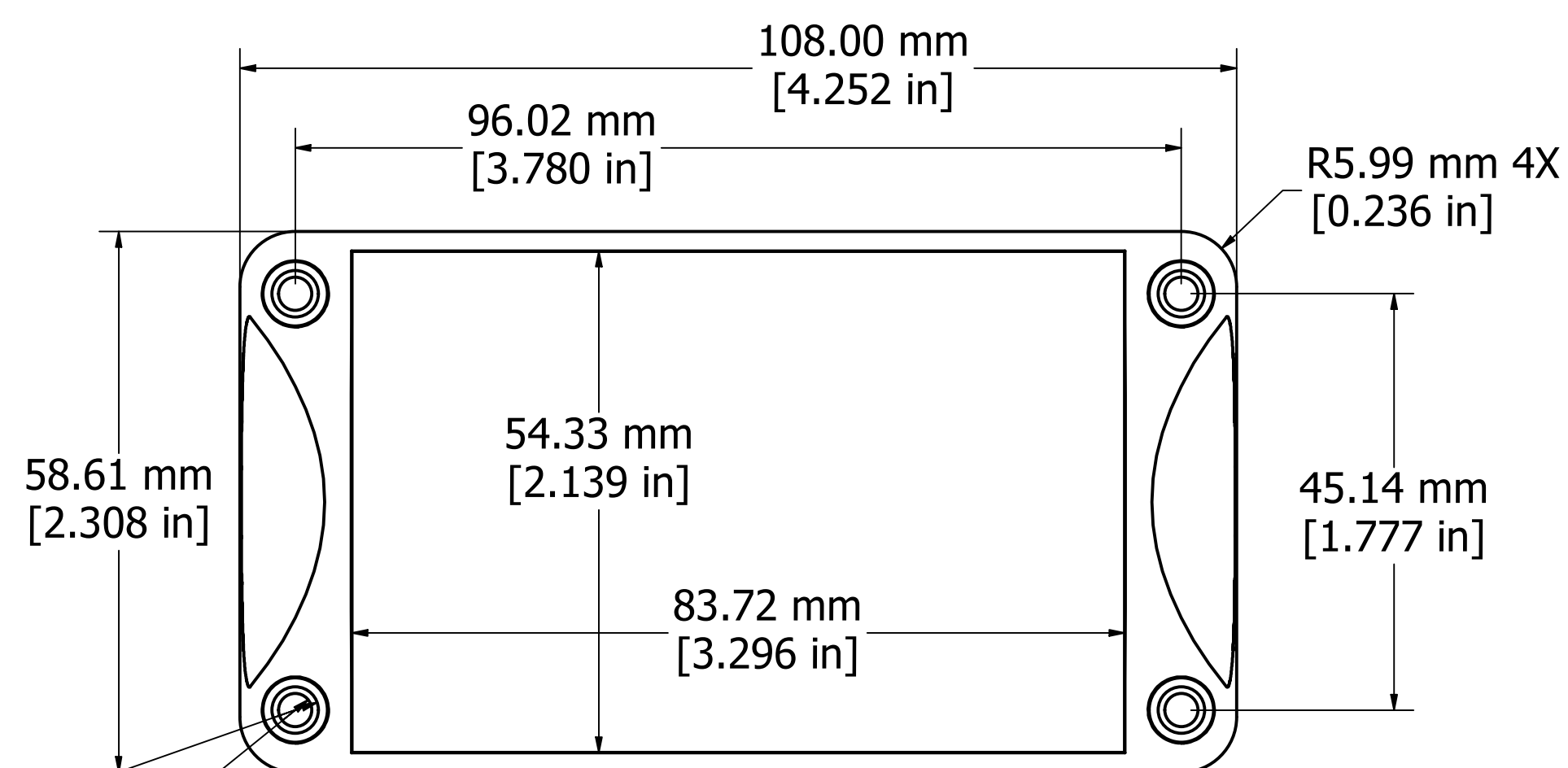
SECTION A-A



DETAIL A

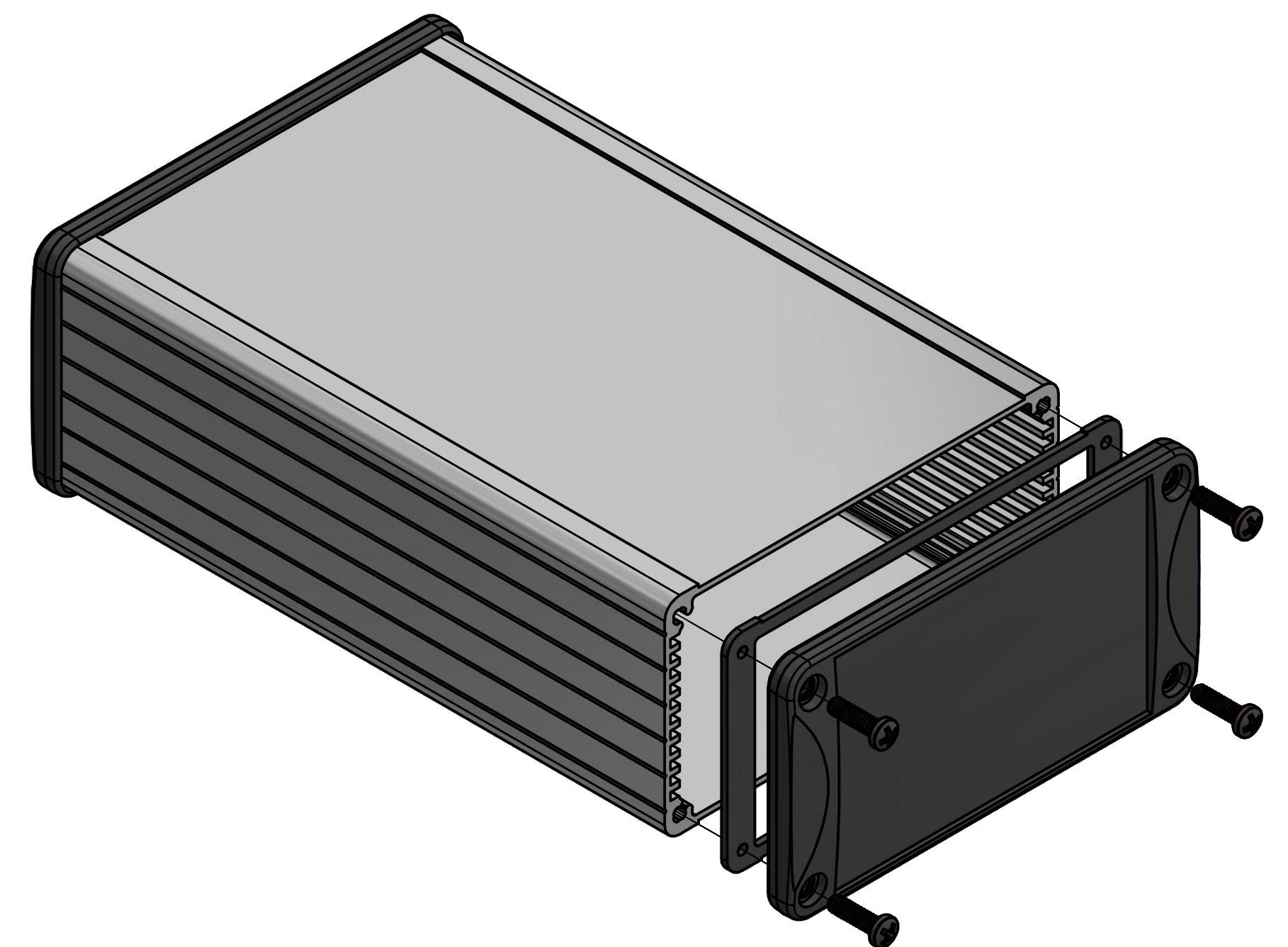


ASSEMBLY - SIDE VIEW



END PANEL - VIEW FROM OUTSIDE

4 X  $\varnothing$ 5.00 mm  $\nabla$  0.60 mm  
 4 X  $\varnothing$ 3.60 mm THUR  
 $\perp$  7.00 mm  $\nabla$  2.50 mm



**PROTECTION TO IP 65**

Enclosures can be Factory Modified ( Milling, Drilling, Printing etc. )  
 Contact Factory [mjm@hammondmfg.com](mailto:mjm@hammondmfg.com) for quotes  
 Solid models of this enclosure available in STEP or IGES.

NOTE	
Purchased assembly includes box, end panels, stainless steel #6 Taptight screws, self adhesive rubber feet, gaskets and O-Rings.	
Box made from Extruded Aluminum 6063.	
End panels made from Type 380 Diecast Aluminum with a black powder paint finish.	
WATERPROOF 1457N1601	
PART NUMBERS	
Clear anodized box with black powder painted end panels	1457N1601
Black powder painted box and end panels	1457N1601BK
EMI/RFI SHIELDED (IP 54)	
Clear anodized box with black powder painted end panels	1457N1601E
Black powder painted box and end panels	1457N1601EBK
ACCESSORIES	
See website for accessories.	

**HAMMOND  
MANUFACTURING™**

**1457N1601**

[www.hammondmfg.com](http://www.hammondmfg.com)

Fits 120mm (4.724") X 100mm (3.937") PCB