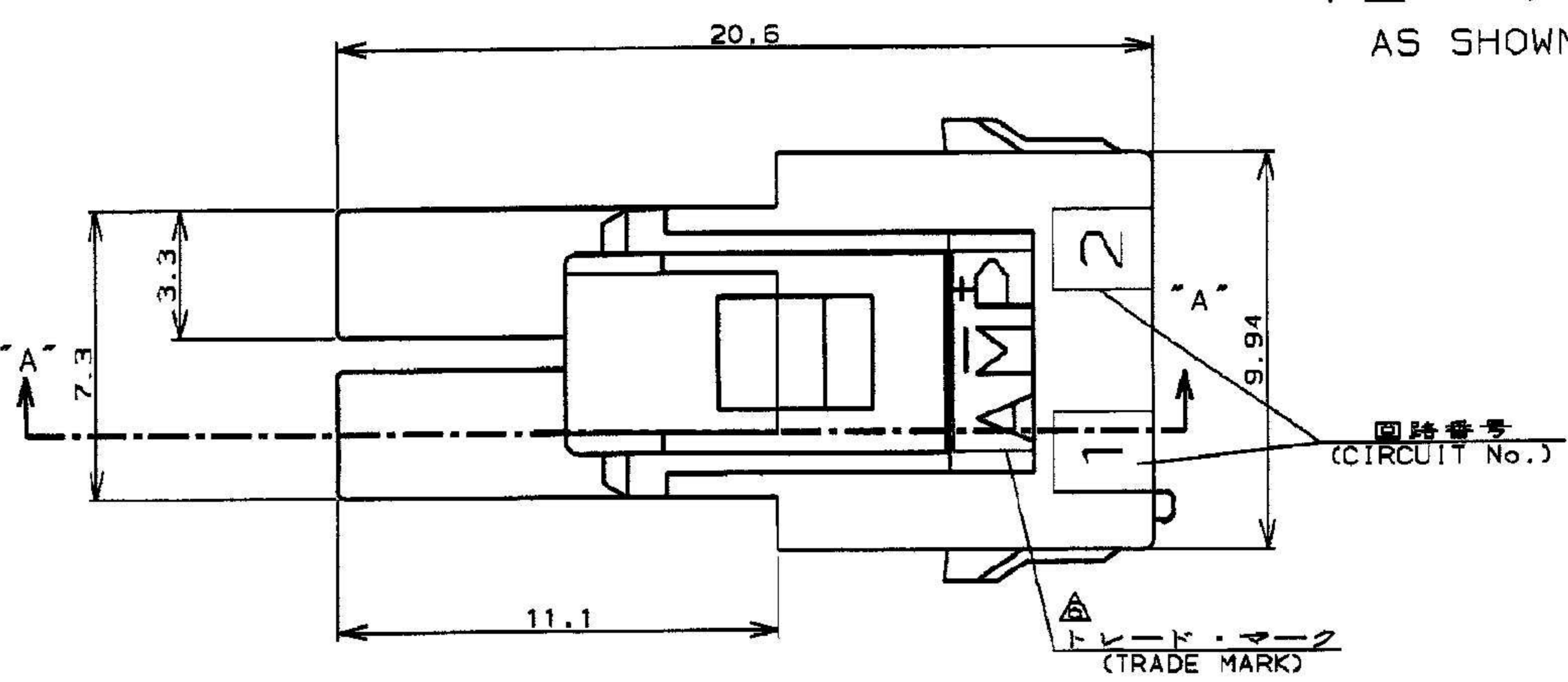
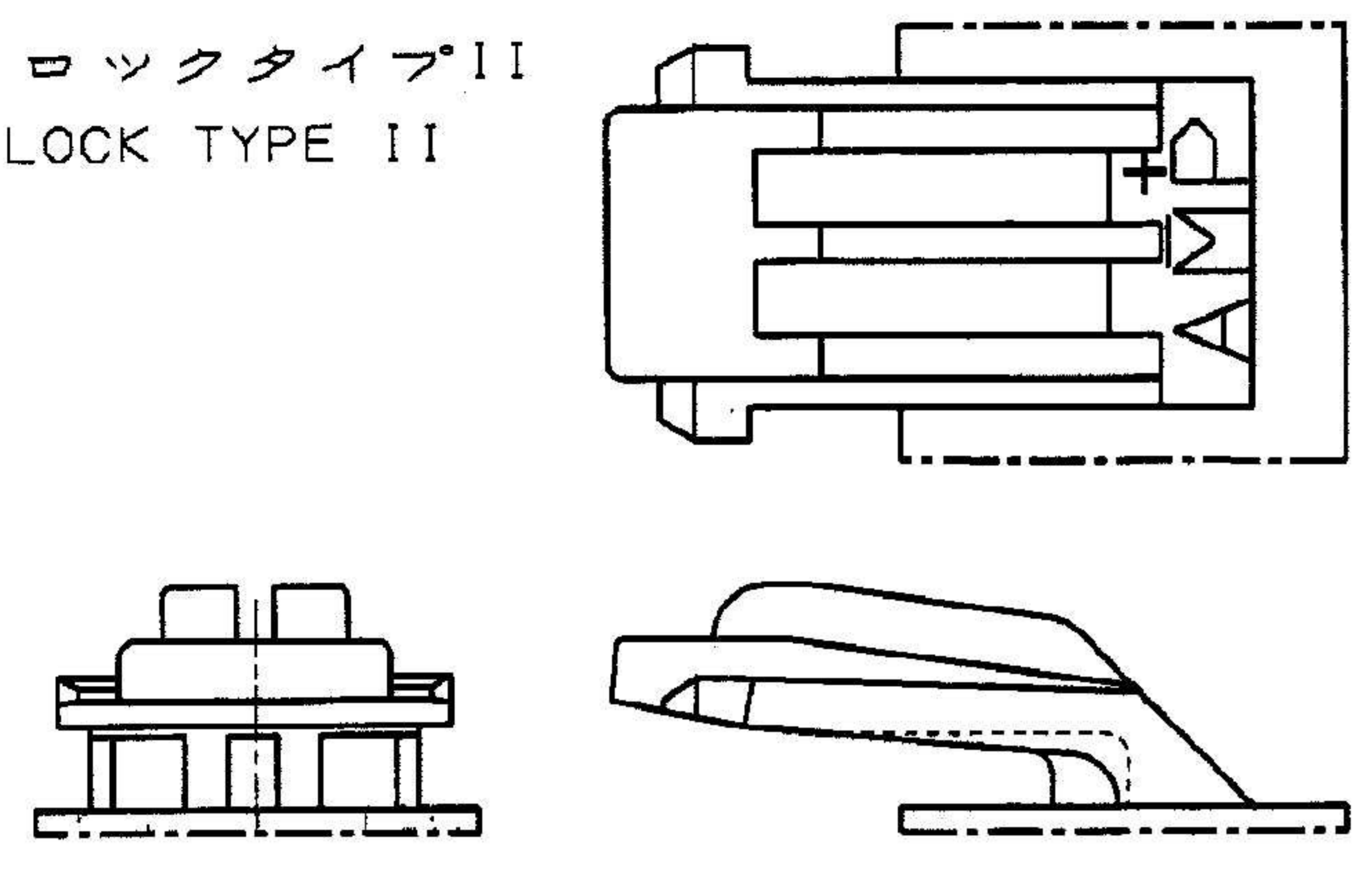


NUMBER C-177900
 METRIC
 三位数 (3-d) ANGLE PROJECTION
 三位数 (3-d) ANGLE PROJECTION
 単位: mm DIMENSIONS IN MM. DO NOT SCALE PRINT
 PRINT DIST

ロックタイプII
LOCK TYPE II



本図ロックタイプIを示す
AS SHOWN LOCK TYPE I

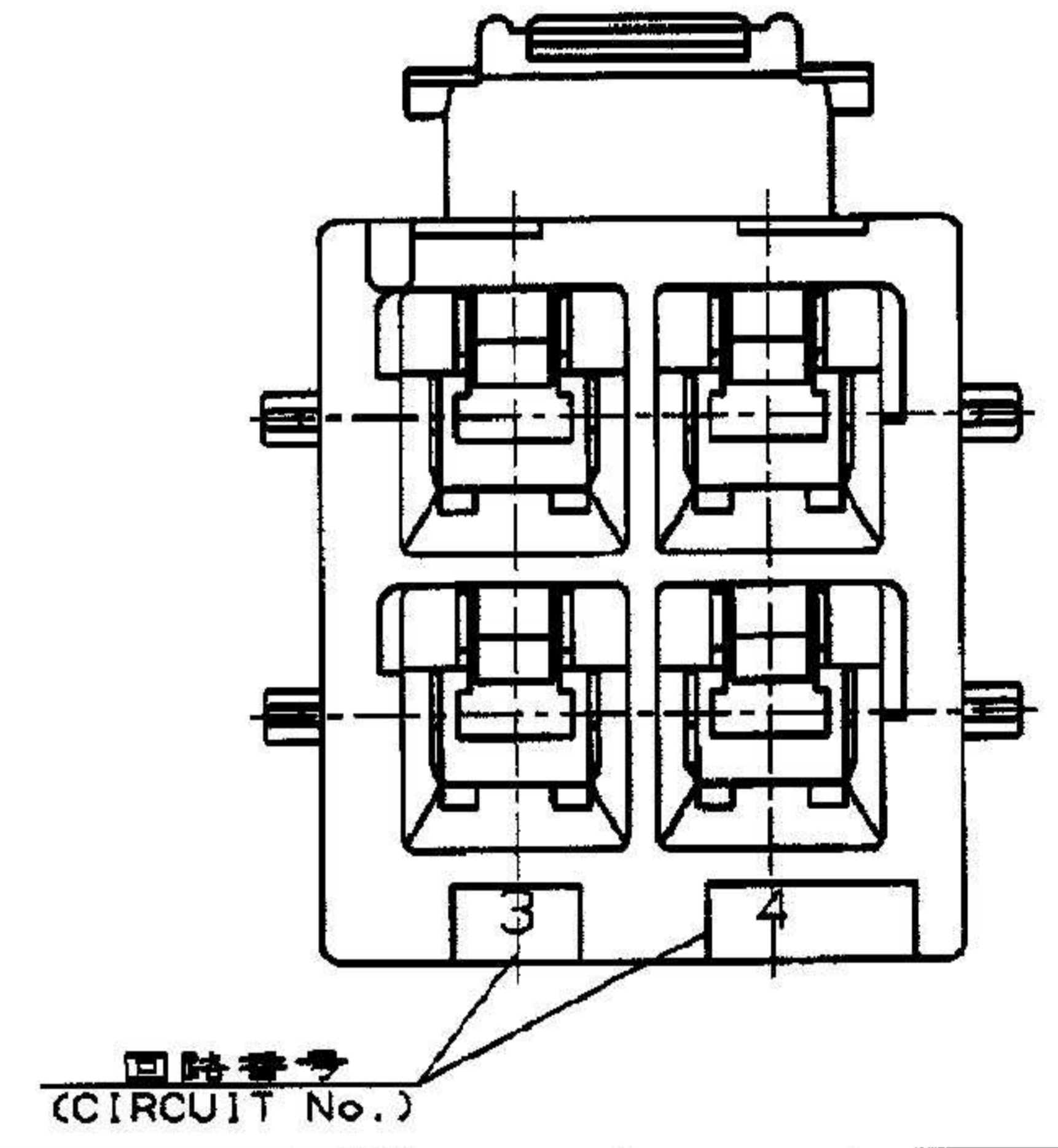
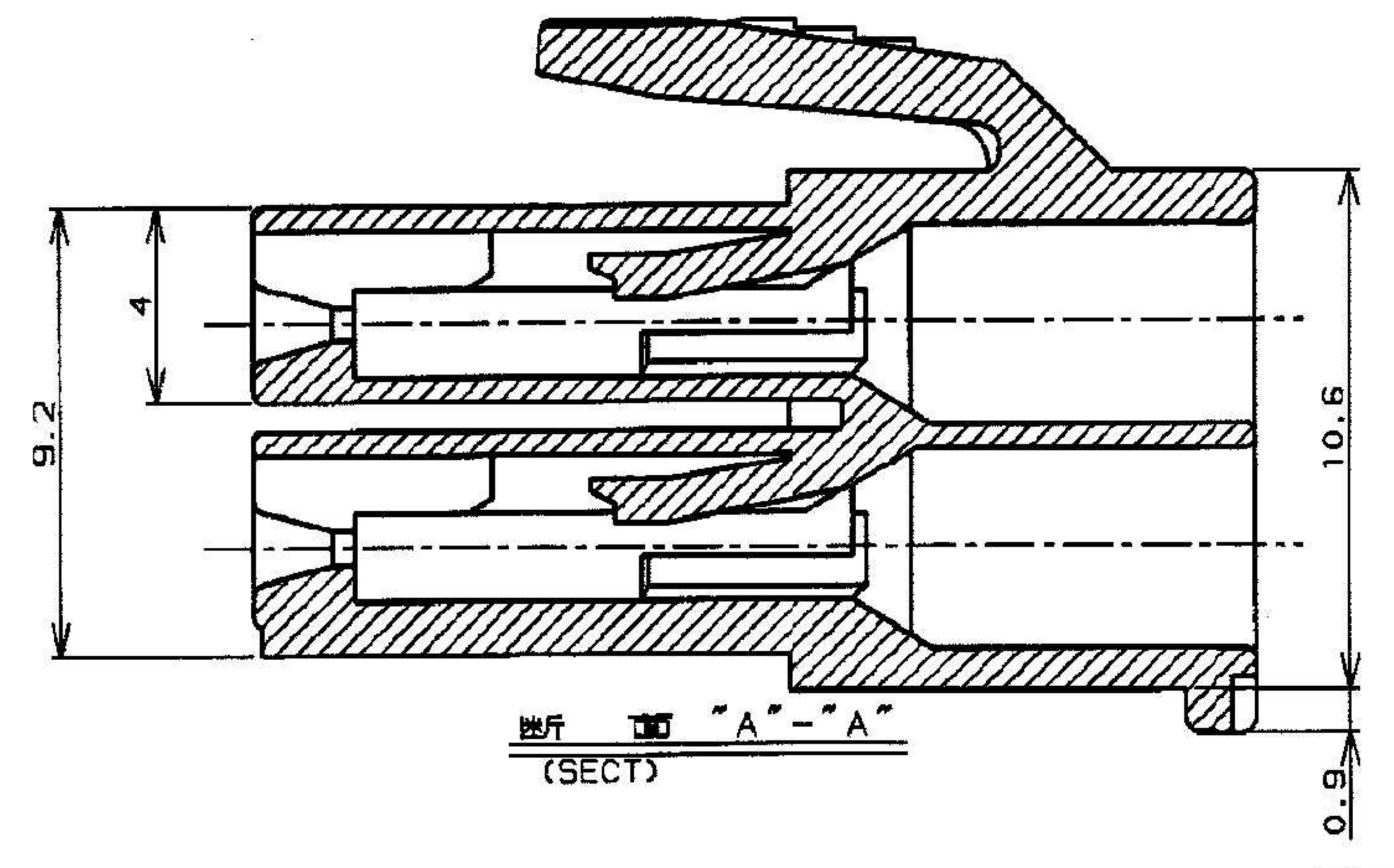
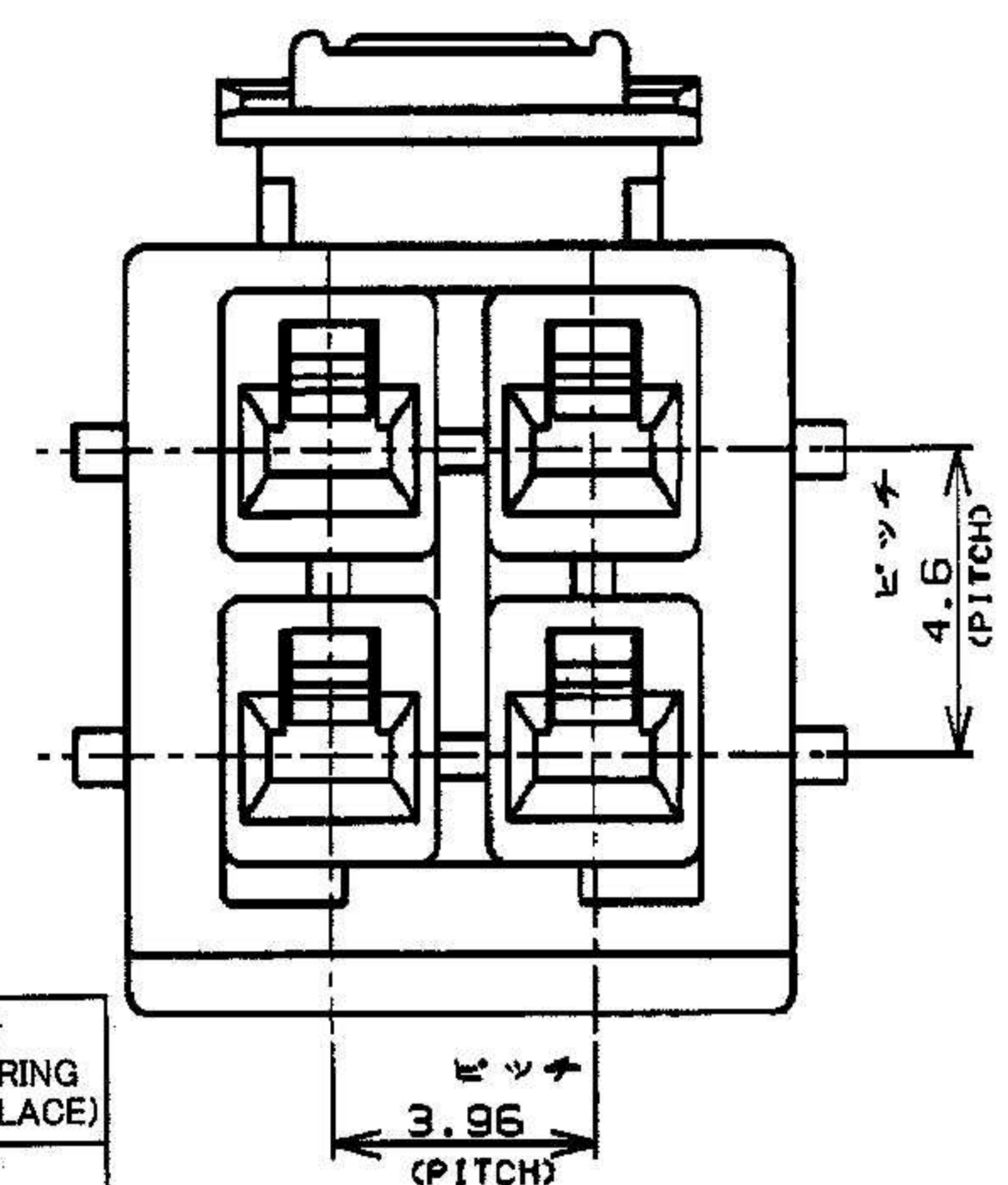


表1 (TABLE 1)

トレードマーク (TRADE MARK)	生産場所 (MANUFACTURING PLACE)
— AMP OR AMP	日本 (JAPAN)
—+ AMP OR AMP	中国 (CHINA(PRC))
AMP OR AMP	韓国 (KOREA)

- NOTES,
- PRODUCT SPEC, :108-5410
 - APPLICABLE CONTACT P/N
REC CONTACT, 177915-□ (*20-#16AWG)
TAB CONTACT, 177917-□ (*20-#16AWG)
CAP HSG, 177908-□ (PANEL MOUNT)
TAB CONTACT, 177916-□ (*26-#22AWG)
 - MATING CONN, P/N
REC CONTACT, 177915-□ (*20-#16AWG)
TAB CONTACT, 177917-□ (*20-#16AWG)
CAP HSG, 177908-□ (PANEL MOUNT)
TAB CONTACT, 177916-□ (*26-#22AWG)
 - APPLICABLE PLATE P/N: 177918-□
 - INSTRUCTION SHEET : 411-5638
- SEE TABLE 1

- ALL PARTS MEET RTI ELECTRICAL RATING OF 105C ACCORDING TO UL 1977
- PART 5-177900-1 COMPLY WITH GLOW WIRE REQUIREMENT FOR PARTS OF NON-METALLIC MATERIAL SUPPORTING A CURRENT-CARRYING CONNECTION DETAILED IN IEC 60335-1, SECTION 30 (GWT)

ロックタイプII LOCK TYPE II	自然色 (NATURAL)	4	3-177900-1
ロックタイプ LOCK TYPE	ハウジング色調 (HOUSING COLOR)	極数 (Pos.)	型番 (P/N)

ロックタイプI LOCK TYPE I	自然色 (NATURAL)	4	5-177900-1
	青 (BLUE)	↑	↑ -6
	黄 (YELLOW)	↑	↑ -4
	赤 (RED)	↓	↓ -2
	自然色 (NATURAL)	4	177900-1

F3	REVISED PER ECR-14-001994	AZ	D. Z	11FEB 2014
F2	REVISED PER ECR-12-019929	AZ	F. M	16NOV 2012
F1	REVISED PER ECO-11-005140	RK	HMR	01APR 11
LTR	変更 (REVISION RECORD)	DR	CHK	DATE

材料 (MATERIAL)	仕上 (FINISH)
6/6 ナイロン (UL94V-0) B/B NYLON (UL94V-0)	---
DR. M. SUZUKI	DE. M. SUZUKI
CHK. M. SHINDO	APP. Y. KASHIWA

名称 (NAME)	AMP POWER DOUBLE LOCK CONN. 4極 3.96mmピッチ プラグハウジング (2列タイプ)
AMP POWER DOUBLE LOCK CONN. 3.96mm PITCH PLUG HOUSING 4 Pos (DBL ROW)	
一般公差	SIZE LOC 番号 (No.)
10以下: ±0.2 10を超え30以下: ±0.25 30を超え100以下: ±0.3 角 度: ±3°	A3 J C-177900
尺度 (SCALE)	REV. F3 SHEET 1 OF 1

CUSTOMER DRAWING