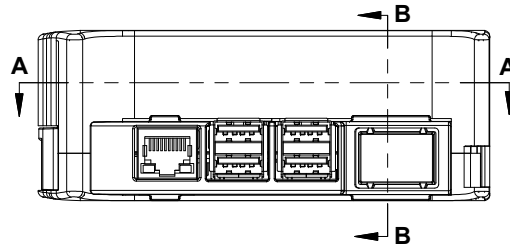
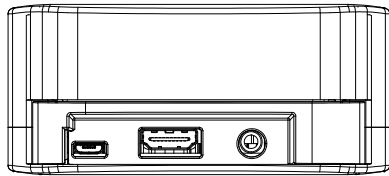
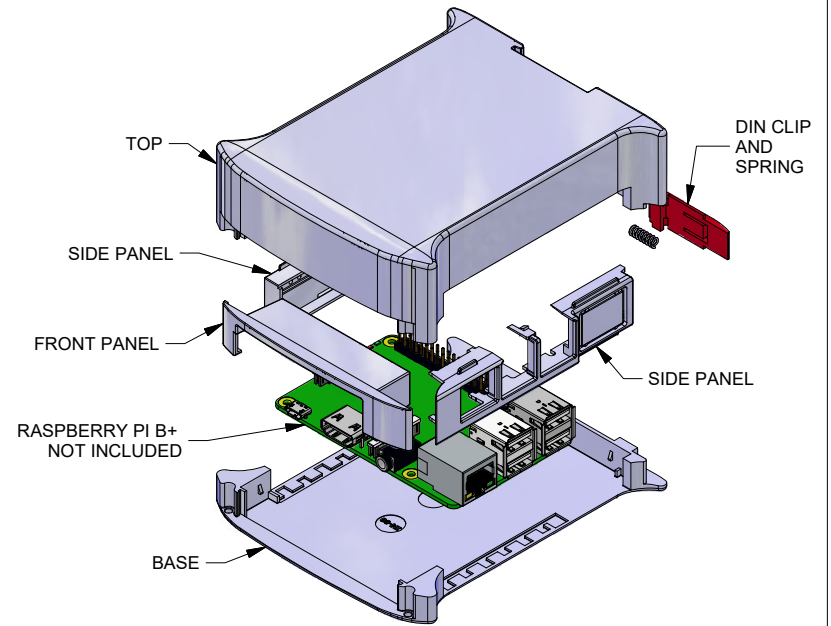


SECTION A-A



SECTION B-B

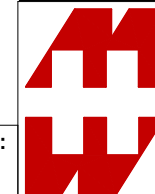
Enclosures can be Factory Modified (Milling, Drilling, Printing etc.)
 Contact Factory (modshop@hammfg.com) for quotes
 Solid models of this enclosure available in .stp or .x_t
 (Part number and text placement/orientation on our products are subject to change,
 we do not recommend using them as a locating reference for modification purposes)

NOTE

Purchased enclosure includes base, cover, front panel 2 side panels, din clip with spring.
 Enclosure is made from PC ABS, din clip made from Nylon.
Enclosure made to use with the Raspberry PI B+ development board

PART NUMBERS

1597KIT	
Development board enclosure grey	1597KITRBPB
ACCESSORIES	
RED DIN CLIP WITH SPRING	1597DINCLIPRB



**HAMMOND
 MANUFACTURING®
 1597KITRBPB**

www.hammondmfg.com

Dimensions:
 mm
 [inches]