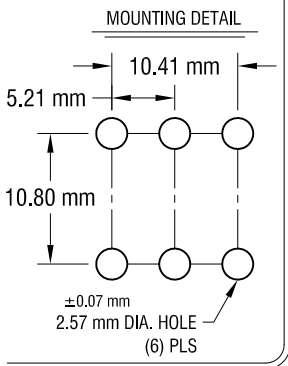
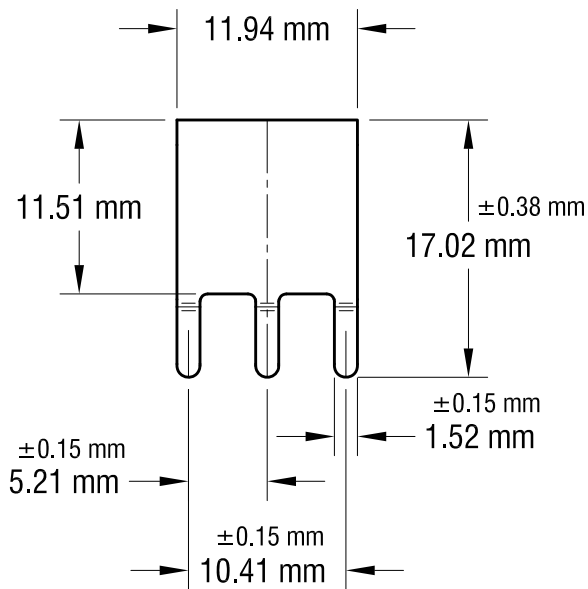
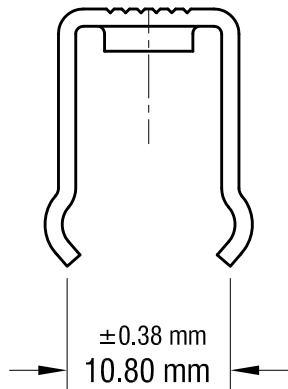
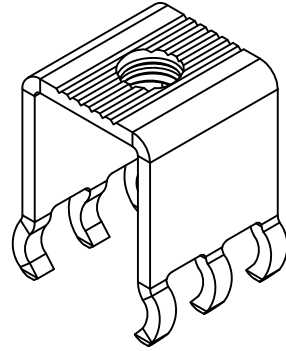
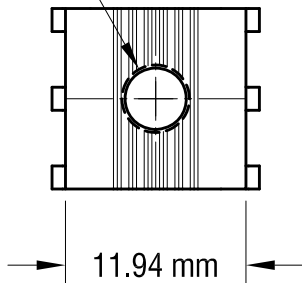


THIS DOCUMENT IS THE PROPERTY OF KEYSTONE ELECTRONICS CORP. AND SHALL NOT BE REPRODUCED, DISTRIBUTED OR USED AS A BASIS FOR MANUFACTURE WITHOUT PRIOR WRITTEN PERMISSION FROM KEYSTONE ELECTRONICS CORP.



M5 x 0.8
THREAD



NOTE:
1. ALL DIMENSION ARE IN MILLIMETERS.

9029.09	CHANGE AS PER ECN 137	A
DATE	DESCRIPTION	REV.

KEYSTONE ELECTRONICS CORP.			
www.keyelco.com • ASTORIA, N.Y. 11105-2017 • Tel (718) 956-8900			
PART NAME PC METRIC SCREW TERMINAL			
MATERIAL 1.14 mm TH'K BRASS			
FINISH MATTE TIN PLATE		DRN BY NT	DATE 7.01.08
		APP'D LN	SCALE 2X
TOLERANCES	INCH [MM]	CODE	DWG NO.
DECIMAL	± [± 0.25]	C	7807
ANGULAR	± 1°		
UNLESS OTHERWISE SPECIFIED			