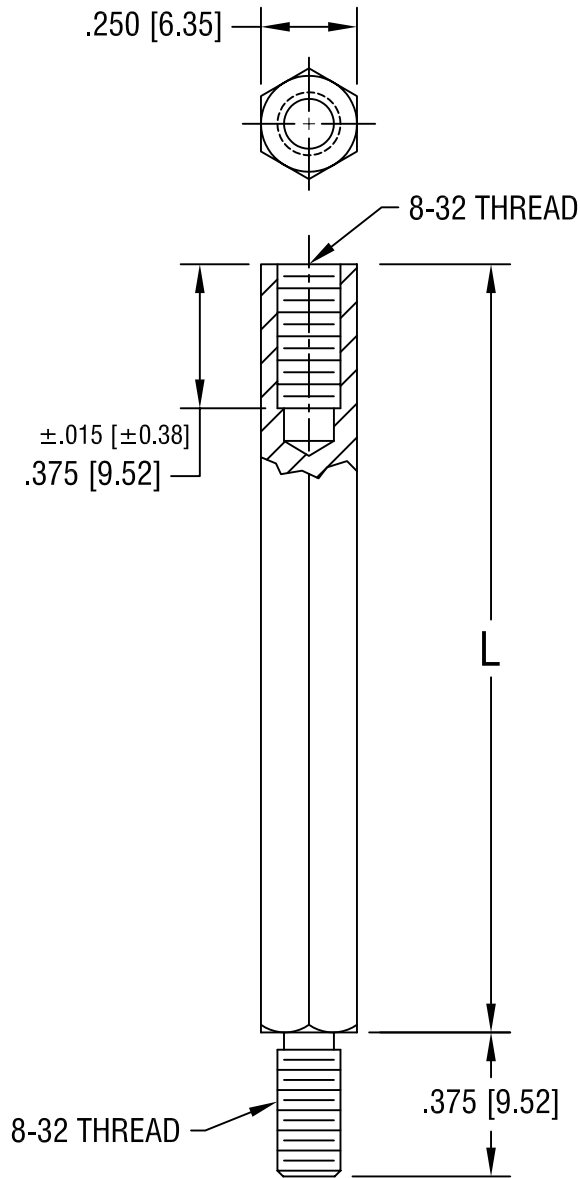


THIS DOCUMENT IS THE PROPERTY OF
KEYSTONE ELECTRONICS CORP. AND
SHALL NOT BE REPRODUCED, DISTRIBUTED
OR USED AS A BASIS FOR MANUFACTURE
WITHOUT PRIOR WRITTEN PERMISSION
FROM KEYSTONE ELECTRONICS CORP.



PART NO.	'L' DIM.
8439	2.500 [63.50]
8440	3.000 [76.20]

KEYSTONE ELECTRONICS CORP.

ASTORIA, N.Y. 11105-2017

PART NAME

HEX M/F STANDOFF

MATERIAL

ALUMINUM

FINISH

CLEAR IRIDITE

DRN BY

BOONE

DATE

11.18.05

APP'D

SCALE

2X

TOLERANCES

INCH

[MM]

DECIMAL ± .005 [± 0.15]

CODE

DWG NO.

ANGULAR ± 1°
UNLESS OTHERWISE SPECIFIED

C/M

8439-8440

DATE	DESCRIPTION	REV.