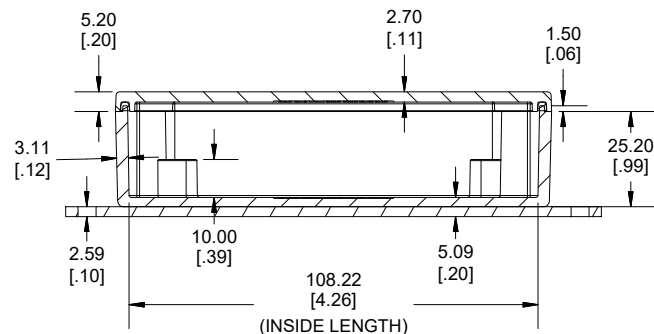
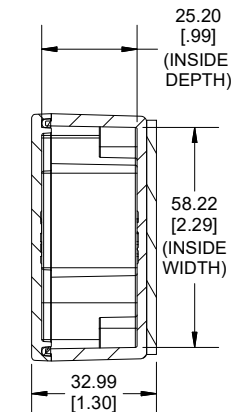
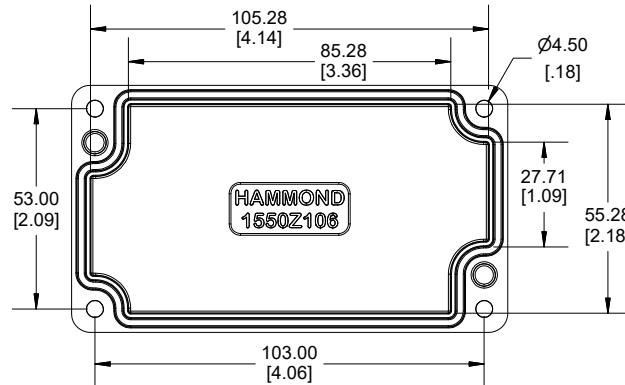


**TOP VIEW**

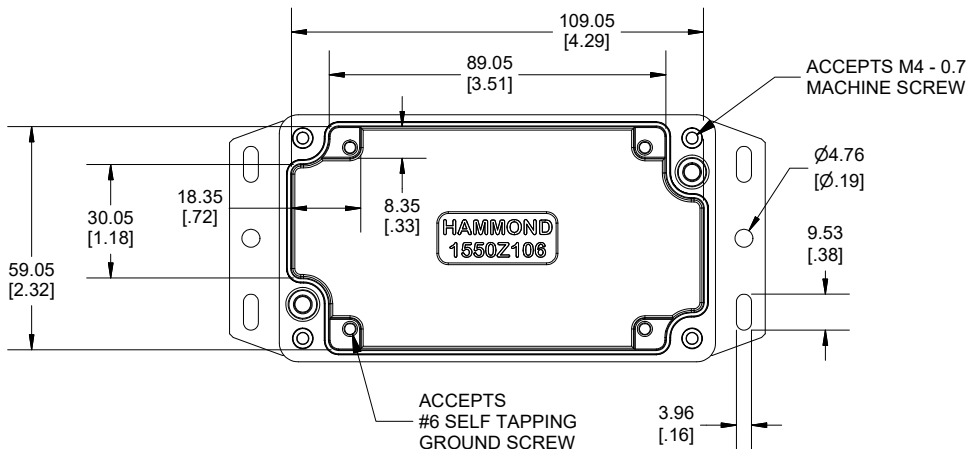
**SECTION A-A  
END VIEW**



**SECTION B-B  
SIDE VIEW**

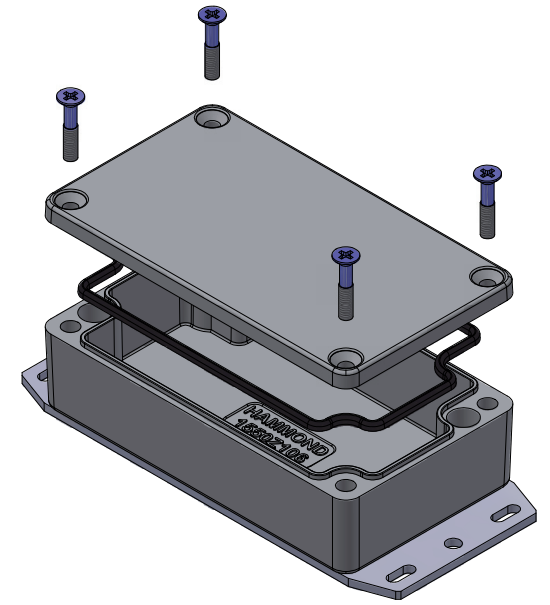


**INSIDE LID**



**INSIDE BOX**

Dimensions:  
mm  
[inches]



**UL** US LISTED  
FILE #E71073  
NEMA 4, 4X

Enclosures can be Factory Modified (Milling, Drilling, Printing etc.)  
Contact Factory (modshop@hammfg.com) for quotes  
Solid models of this enclosure available in .stp or .x\_t  
(Part number and text placement/orientation on our products are subject to change,  
we do not recommend using them as a locating reference for modification purposes)

NOTE	
Purchased assembly includes box, lid, silicone gasket, and 4 cover screws. Box and lid are made from Diecast Aluminum Alloy. Bottom flange is welded.	
Recommended Cover screw torque 5-7.5 lbf.in (50 -75 cN.m)	

PART NUMBERS	
1550Z106 Flange Enclosure	
Natural Finish Enclosure	1550Z106F
Black Textured Enclosure	1550Z106FBK
ACCESSORIES	
Stainless Steel Cover screws [M4 - 0.7 x 20mm] (50 Pack)	SC1550Z103-50
Ground Hardware (50 Pack) #6 Phos. Bronze plate Lock Washer #6-32 x 5/16 Copper plate Self-Tapping screw	SCG060-50
Pre-Formed Silicone Gasket (2 Pack)	1550Z106GASKET

**HAMMOND**  
1550Z106F  
www.hammondmfg.com