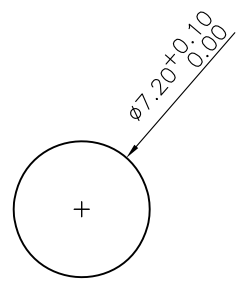
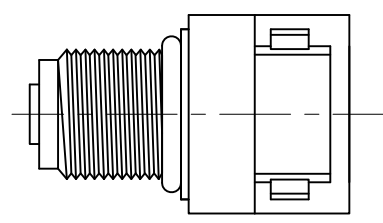


REV.	DESCRIPTION	DRAWN	DATE
1	INITIAL RELEASE	TIM	2016/08/16

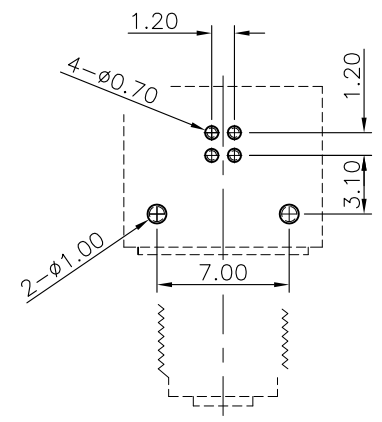
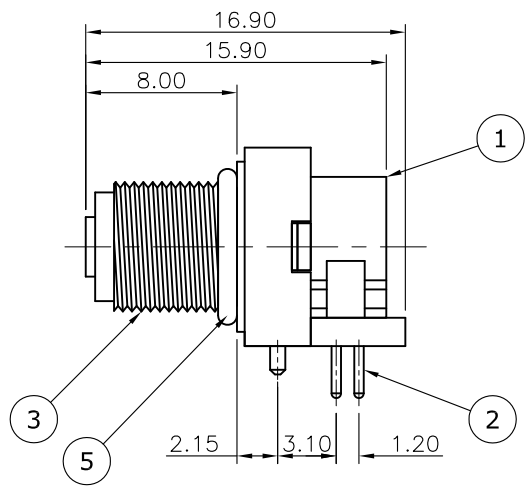
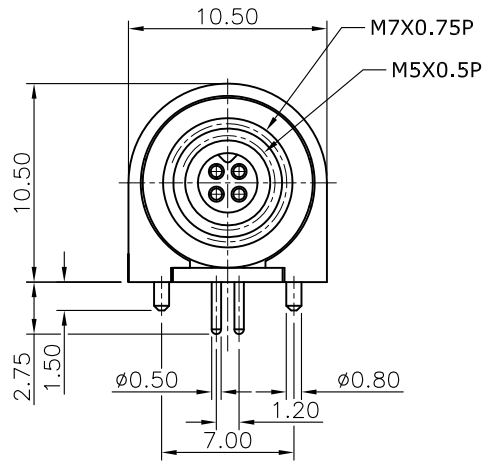


Recommend Panel Cut Out

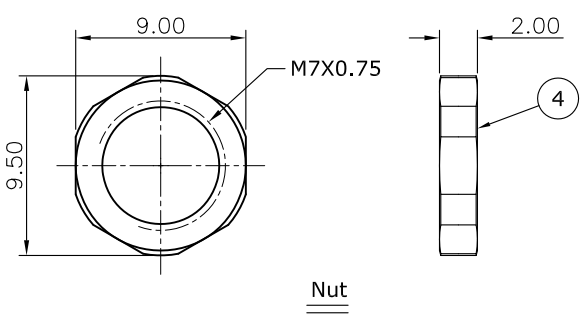


SPECIFICATION:

1. Current Rating: 1A
2. Voltage Rating: 60V
3. Waterproof: IP67
4. Operation Temperature: -20°C to 85°C



Recommended Layout (top view)
General Tolerance: $\pm 0.1\text{mm}$



Nut

5	O-RING	NBR, Black			
4	NUT	Brass, Nickel plating			
3	SHELL	Brass, Nickel plating			
2	CONTACT	Brass, Gold Flash over Nickel plating			
1	HOUSING	PBT, UL94V-0, Black			
NO.	PART NAME	DESCRIPTION			
UNLESS OTHERWISE SPECIFIED TOLERANCE					
UNIT:	DECIMAL	LINEAR	ANGLES		
	mm	X, X.X	X, XX		
		± 0.50	± 0.25	$\pm 3^\circ$	
			± 0.12	$\pm 1^\circ$	
DRAWN		Tim	2016/08/16	DRAWN NAME:	
CHECKED		Fros	2016/08/16	M5 A- Code Receptacle, 4Pin Female	
APPROVED		Ken	2016/08/16	Right Angle PCB Type, Front Fastened	
SCALE		2.5/1	SHEET	1/1	SIZE
A4		FILE NAME	220A-04FRF_B_1		



WWW.ATTEND.COM.TW