

Features

- Epoxy molded, 14pin dual-in-line packages.
- Can be immersed during board cleaning operations.
- High isolation between input and output.
- High speed and lowdriving power.
- Diode and Magnetic shield available.



Order Code

DIP - XX XX X	a: Relay Model	d: Nil=Standard type
a b c d	b: Contact Form: 1A: 1 Form A 1B: 1 Form B	A=Electrostatic Shield B=With Diode
	c: Nominal Coil Voltage	S=Magnetic Shield

Coil Data-Standard Type 1FormA (at 20°C)

Nominal Voltage	Coil Resistance ± 10% ohm	Nominal Input Power	Max. Operate Voltage	Min. Release Voltage	Max. Allowable Voltage
5V	500	50mW	3.75	0.6	21
12V	1000	144mW	9	1	0
24V	2150	268mW	18	2	44

Coil Data-Standard Type 1FormB (at 20°C)

Nominal Voltage	Coil Resistance ± 10% ohm	Nominal Input Power	Max. Operate Voltage	Min. Release Voltage	Max. Allowable Voltage
5V	500	50mW	3.75	0.6	6
12V	1000	144mW	9	1	14.5
24V	2150	268mW	18	2	29

Coil Data-Standard Type 1FormC (at 20°C)

Nominal Voltage	Coil Resistance ± 10% ohm	Nominal Input Power	Max. Operate Voltage	Min. Release Voltage	Max. Allowable Voltage
5V	200	125mW	3.75	0.6	12
12V	500	288mW	9	1	18
24V	2150	268mW	18	2	32

Coil Data-Standard Type 2FormA (at 20 °C)

Nominal Voltage	Coil Resistance ± 10% ohm	Nominal Input Power	Max. Operate Voltage	Min. Release Voltage	Max. Allowable Voltage
5V	140	179mW	3.75	0.6	11
12V	500	288mW	9	1	21
24V	2150	268mW	18	2	44

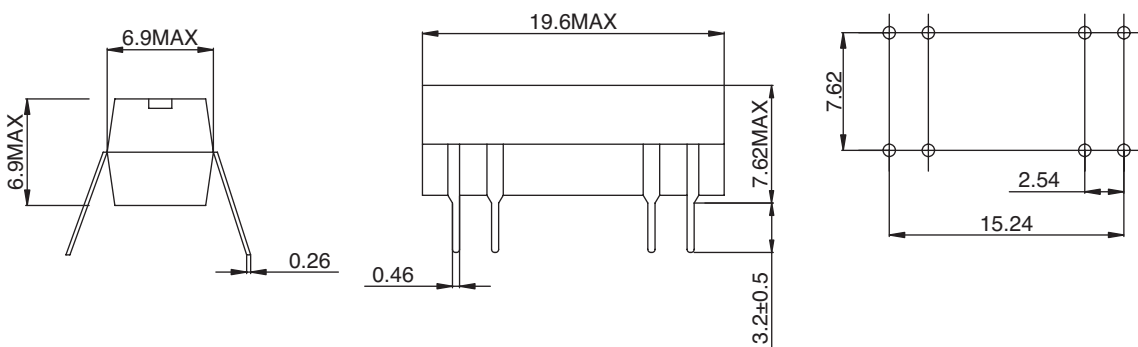
Contact Rating

Contact Form	1a, 1b, 2a	1c
Max. Switching Power	10VA(W)	3VA(W)
Max. Switching Voltage	100VDC or Pack AC	100VDC or Pack AC
Max. Switching Current	0.5A	0.25A
Max. Carry Current	1A	0.4A

Specification

Contact Resistance	Max. 150m ohm	Max. 150m ohm
Operate Time	0.5mS	3mS
Release Time	0.5mS	3mS
Insulation Resistance	Min.1G ohm at 500VDC	
Dielectric Strength	Between open contacts 250/150VDC Between coil & contacts 1400VDC	
Capacitance (between open contacts)	1.0pf	3pF
Vibration	20g, 10~2KHz	10g, 10~2KHz
Shock Resistance	100g, 11ms, 1/2sin Wave	100g, 11ms, 1/2sin Wave
Operating Temperature	-40°C ~ +85°C	
Life Expectancy	200,000,000.ops (12VDC, 10mA)	

Dimensions (Unit mm)



Wiring Diagrams (Bottom View)

