

FILS ADMISSIBLES (ACCEPTABLE WIRES)

JAUGE (AWG)  
SECTION / 7 BRINS (7 STRANDS)

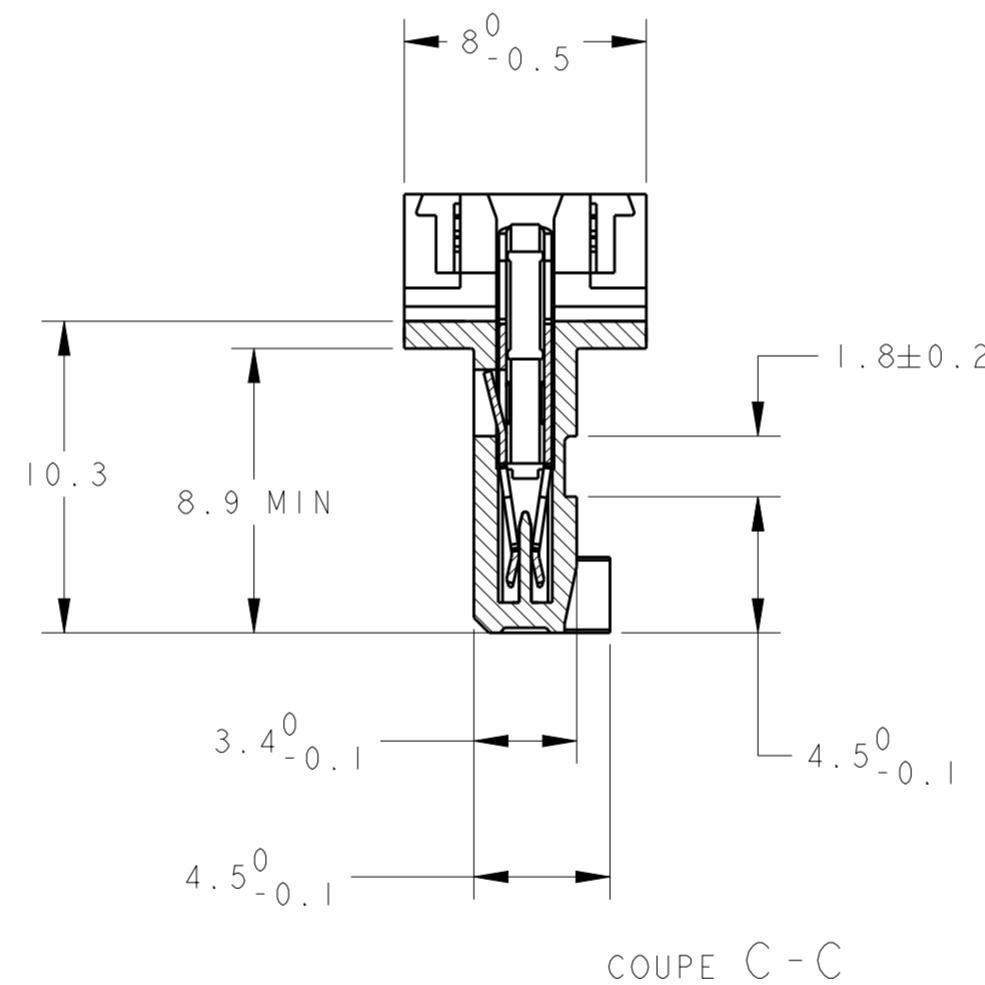
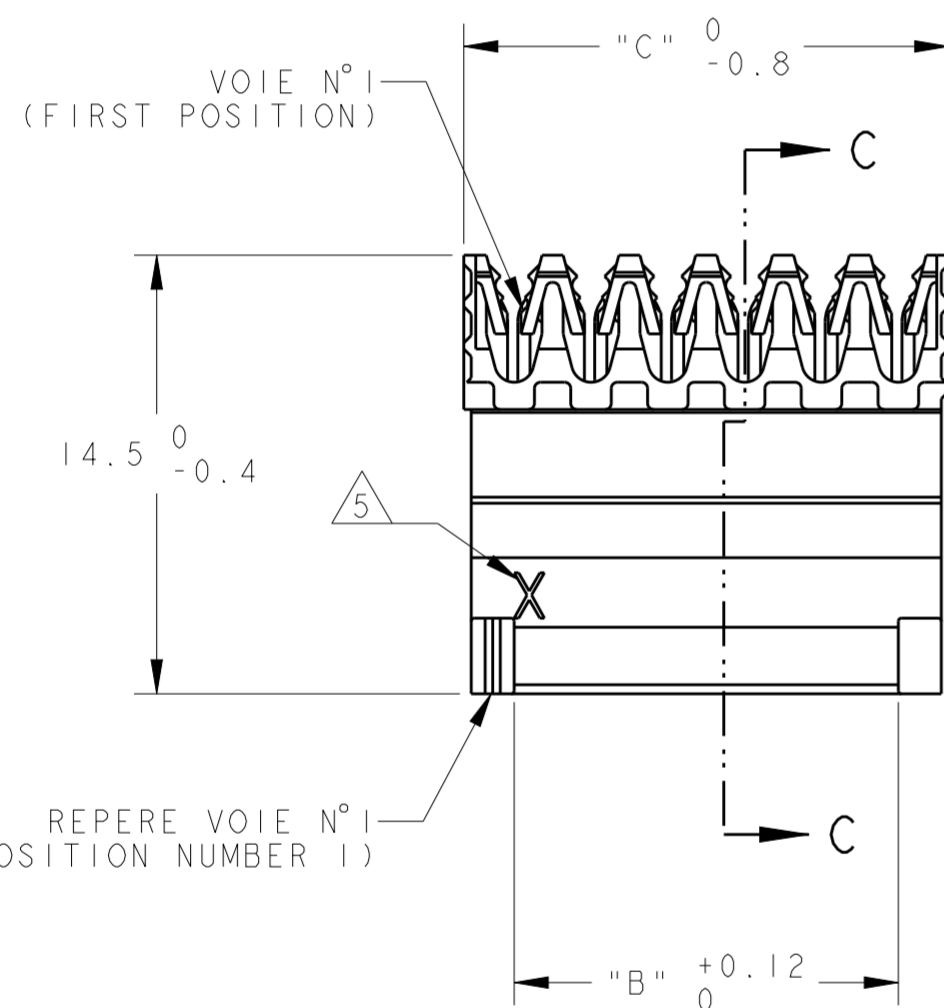
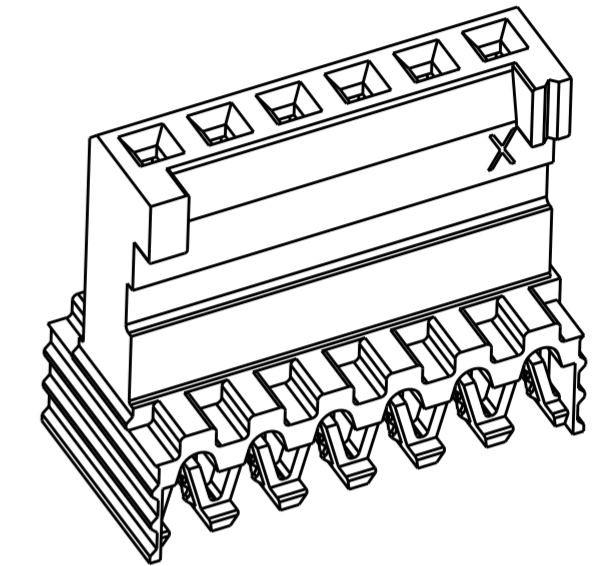
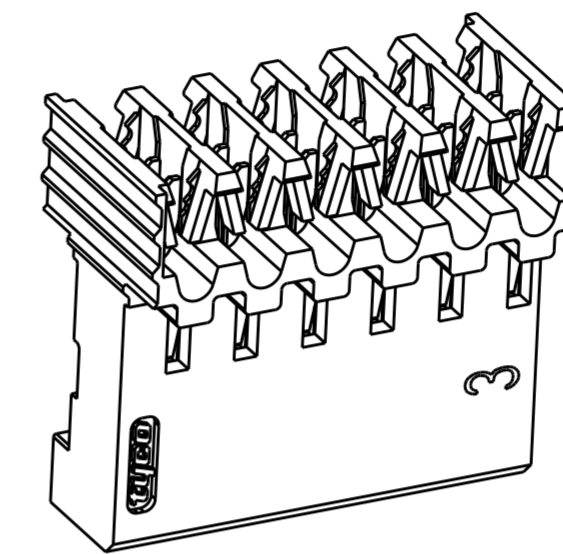
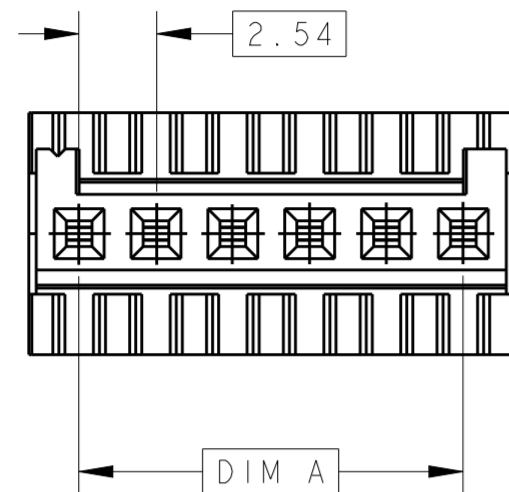
24  
0.22mm<sup>2</sup>

ISOLANT: Ø MAX / MATIERE  
(INSUL.: Ø MAX / MAT'L)

Ø 1.2 / PVC

REVISIONS

P	LTR	DESCRIPTION	DATE	DWN	APVD
	D2	PART STATUS UPDATED	03JAN2020	SS	PS



AWG	Ø	AREA	NO. OF STRANDS	NO. OF CONTACTS	NO. OF POSITIONS	REFERENCES (PART No)
9	64.30	60.96	25	2	281708-5	2-144270-5
9	61.76	58.42	24	2	281708-4	2-144270-4
10	59.22	55.88	23	2	281708-3	2-144270-3
10	56.68	53.34	22	2	281708-2	2-144270-2
10	54.14	50.80	21	2	281708-1	2-144270-1
11	51.60	48.26	20	2	281708-0	2-144270-0
12	49.06	45.72	19	1	281708-9	1-144270-9
12	46.52	43.18	18	1	281708-8	1-144270-8*
13	43.98	40.64	17	1	281708-7	1-144270-7
14	41.44	38.10	16	1	281708-6	1-144270-6
15	38.90	35.56	15	1	281708-5	1-144270-5*
16	36.36	33.02	14	1	281708-4	1-144270-4
17	33.82	30.48	13	1	281708-3	1-144270-3
18	31.28	27.94	12	1	281708-2	1-144270-2*
20	28.74	25.40	11	1	281708-1	1-144270-1
20	26.20	22.86	10	1	281708-0	1-144270-0*
25	23.66	20.32	9	0	281708-9	0-144270-9
25	21.12	17.78	8	0	281708-8	0-144270-8*
30	18.58	15.24	7	0	281708-7	0-144270-7
35	16.04	12.70	6	0	281708-6	0-144270-6*
40	13.50	10.16	5	0	281708-5	0-144270-5*
50	10.96	7.62	4	0	281708-4	0-144270-4*
70	8.42	5.08	3	0	281708-3	0-144270-3*
100	5.88	2.54	2	0	281708-2	0-144270-2
QUANT / TUBE	DIMENSIONS		Nb DE POS	REFERENCES (PART No)		

1 CES CONNECTEURS SONT PREVUS POUR ETRE ACCOUPLES AVEC LES EMBASES 'HE1402' SIMPLE RANGEE

(THESE CONNECTEURS ARE DESIGNED TO BE MATED WITH 'HE1402' HEADERS SINGLE ROW)

2 LES REFERENCES SUIVIES D'UN ' \* ' SONT LES VERSIONS NORMALISEES SELON LA 'CEI 603-8'

(THE PART-NO FOLLOWED BY ' \* ' ARE COVERED BY THE INTERNATIONAL STANDARD 'IEC603-8')

3 REVETEMENT DES CONTACTS: ETAME

(THE CONTACTS ARE TIN PLATED)

4 CONNECTEURS CONDITIONNES SOUS TUBE PVC

(THESE CONNECTEURS ARE PACKAGED IN TUBE)

5 ' X ' EST REMPLACE PAR LE DEUXIEME CHIFFRE DES JAUGES AWG

(' X ' REPLACED BY THE SECOND DIGIT OF AWG AS DEFINED IN TABLE)

6 MATIERES - BOITIER: PBT UL94V0  
- CONTACTS: BRONZE PHOSPHOREUX.

(MATERIALS - CASE: PBT UL94V0  
- CONTACTS: PHOSPHOR BRONZE)

7 OBSOLETE.

THIS DRAWING IS A CONTROLLED DOCUMENT.

DIMENSIONS: mm	TOLERANCES UNLESS OTHERWISE SPECIFIED:	DWN C. COMBEDOUZON 17NOV2000	CHK T. CORRIOU 17NOV2000	APVD Y. PETRONIN 17NOV2000
0 PLC ±0.3	1 PLC ±0.3	PRODUCT SPEC 108-15053	APPLICATION SPEC 114-15030	WEIGHT -
2 PLC ±	3 PLC ±	MATERIAL 6	FINISH 3	CUSTOMER DRAWING

TE Connectivity		NAME HE 1402 PLUG, 90deg IDC SINGLE ROW	
SIZE A2	CAGE CODE p0779	DRAWING NO C-281708	RESTRICTED TO
SCALE 4:1	SHEET 1	OF 1	REV D2