

Device connector front mounting - SF-5EP1N8AWA00



1605520

<https://www.phoenixcontact.com/sk/products/1605520>

Please be informed that the data shown in this PDF document is generated from our Online Catalog. Please find the complete data in the user documentation. Our General Terms of Use for Downloads are valid.



Device connector front mounting, straight, for standard and SPEEDCON interlock, M23, number of positions: 5+PE, type of contact: Pin, Axial O-ring, 4x Ø 3.2, shielded: yes, flange dimensions: 26 mm x 26 mm, degree of protection: IP67, cable diameter range: 0 mm ... 0 mm, Compatible with mating connectors with SPEEDCON or M23 standard knurled nuts, number of positions: 6, connection method: Crimp connection, series: SF

Your advantages

- Consistent EMC protection for reliable connection solutions in the industrial environment
- Crimping connection: vibration- and temperature-resistant assembly

Commercial Data

Item number	1605520
Packing unit	1 pc
Minimum order quantity	1 pc
Note	Made to Order (non-returnable)
Sales Key	ABR
Product Key	ABRCBF
Catalog Page	Page 156 (C-2-2019)
GTIN	4046356182164
Weight per Piece (including packing)	47.9 g
Weight per Piece (excluding packing)	35.3 g
Customs tariff number	85366990
Country of origin	DE

Technical Data

Notes

Order information:	Order crimp contacts 6 x Ø 2 mm separately
--------------------	--

Safety note

Safety note	<p>WARNING: The connectors may not be plugged in or disconnected under load. Ignoring the warning or improper use may damage persons and/or property.</p>
	<ul style="list-style-type: none"> • WARNING: Commission properly functioning products only. The products must be regularly inspected for damage. Decommission defective products immediately. Replace damaged products. Repairs are not possible.
	<ul style="list-style-type: none"> • WARNING: Only electrically qualified personnel may install and operate the product. They must observe the following safety notes. The qualified personnel must be familiar with the basics of electrical engineering. They must be able to recognize and prevent danger. The relevant symbol on the packaging indicates that only personnel familiar with electrical engineering are allowed to install and operate the product.
	<ul style="list-style-type: none"> • The products are suitable for applications in plant, controller, and electrical device engineering.
	<ul style="list-style-type: none"> • When operating the connectors in outdoor applications, they must be separately protected against environmental influences.
	<ul style="list-style-type: none"> • Assembled products may not be manipulated or improperly opened.
	<ul style="list-style-type: none"> • Only use mating connectors that are specified in the technical data of the standards listed (e.g. the ones listed in the product accessories online at phoenixcontact.com/products).
	<ul style="list-style-type: none"> • When using the product in direct connection with third-party manufacturers, the user is responsible.
	<ul style="list-style-type: none"> • For operating voltages > 50 V AC, conductive connector housings must be grounded
	<ul style="list-style-type: none"> • Ensure that the protective or functional ground has been properly connected.
	<ul style="list-style-type: none"> • VDE 0100/1.97 § 411.1.3.2 and DIN EN 60 204/11.98 § 14.1.3 are applicable when combining several circuits in a cable and/or connector
	<ul style="list-style-type: none"> • Only use tools recommended by Phoenix Contact
	<ul style="list-style-type: none"> • The installation notes/Design In documents online on the download page at phoenixcontact.com/products must be observed for this product.
	<ul style="list-style-type: none"> • Operate the connector only when it is fully plugged in and interlocked.
<ul style="list-style-type: none"> • Ensure that when laying the cable, the tensile load on the connectors does not exceed the upper limit specified in the standards. 	
<ul style="list-style-type: none"> • Observe the minimum bending radius of the cable. Lay the cable without twisting it. 	
<ul style="list-style-type: none"> • The connector warms up in normal operation. Depending on the ambient conditions, the surface of the connector can continue to warm up. In this case, the user is responsible for posting 	

Device connector front mounting - SF-5EP1N8AWA00



1605520

<https://www.phoenixcontact.com/sk/products/1605520>

warnings (e.g. DIN EN ISO 13732-1:2008-12).

Mounting

Mounting	4x Ø 3.2
----------	----------

Product properties

Product type	Circular connectors (device side)
Number of positions	6
Connection profile	5+PE
Application	Power
Locking type	for standard and SPEEDCON interlock
Series	SF
Shielded	yes
Coding	N
Thread type	M23

Dimensions

Housing

Flange dimensions	26 mm x 26 mm
-------------------	---------------

Material specifications

Seal material	FPM
Housing material	Turned parts: copper zinc alloy (CuZn), die-cast parts: zinc (GD-Zn)
Insulator material	PA 6.6
Gasket and O-ring material	FPM

Electrical properties

Contact

Contact diameter	2 mm
Max. current	30 A
Nominal voltage U_N	630 V
Overvoltage category	III
Degree of pollution	3
Rated surge voltage	6 kV

Contact

Contact diameter	2 mm
Overvoltage category	III
Degree of pollution	3
Rated surge voltage	4 kV

Connection data

Conductor connection

Device connector front mounting - SF-5EP1N8AWA00



1605520

<https://www.phoenixcontact.com/sk/products/1605520>

Connection method	Crimp connection
Type of contact	Pin

Connector

Type	straight
------	----------

Cable / line

External cable diameter	0 mm ... 0 mm
-------------------------	---------------

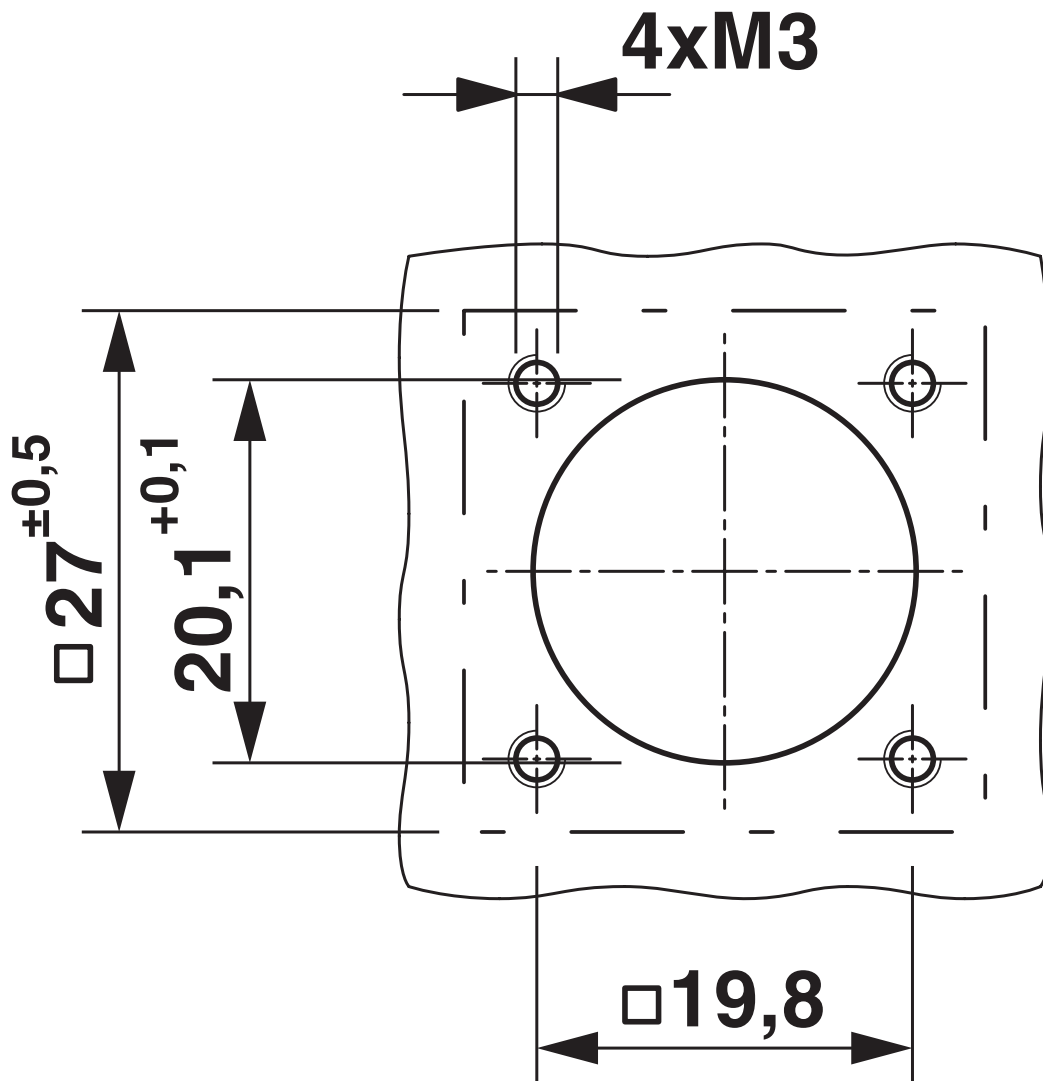
Environmental and real-life conditions

Ambient conditions

Degree of protection	IP67
Ambient temperature (operation)	-40 °C ... 125 °C
Altitude	3000 m

Drawings

Dimensional drawing

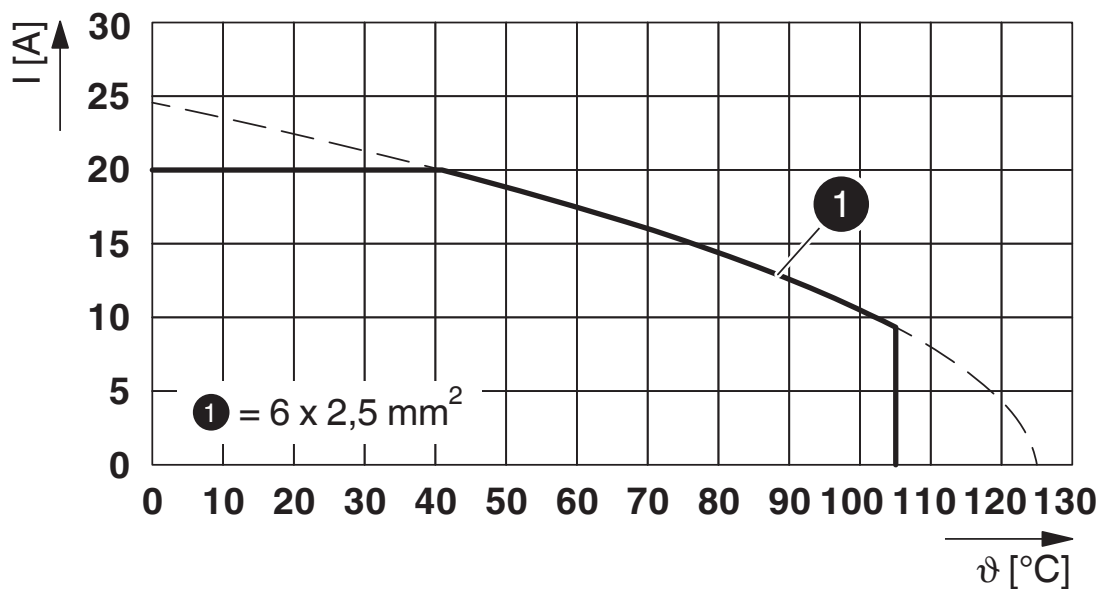


Installation dimensions

1605520

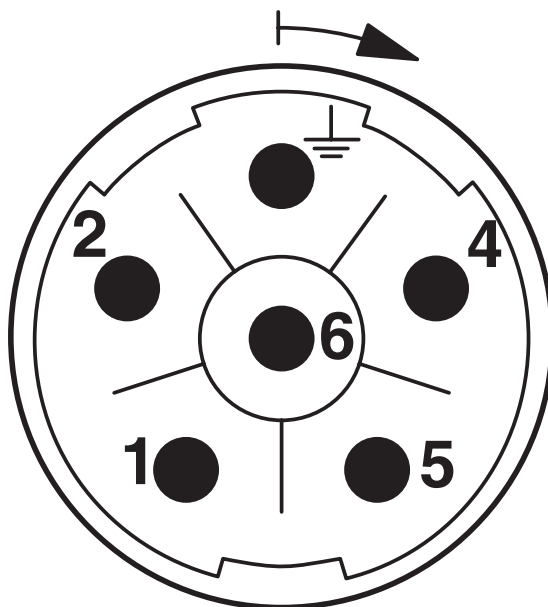
<https://www.phoenixcontact.com/sk/products/1605520>

Diagram



I = current strength, ϑ = ambient temperature, 6x 20 A

Schematic diagram



Connector pin assignment

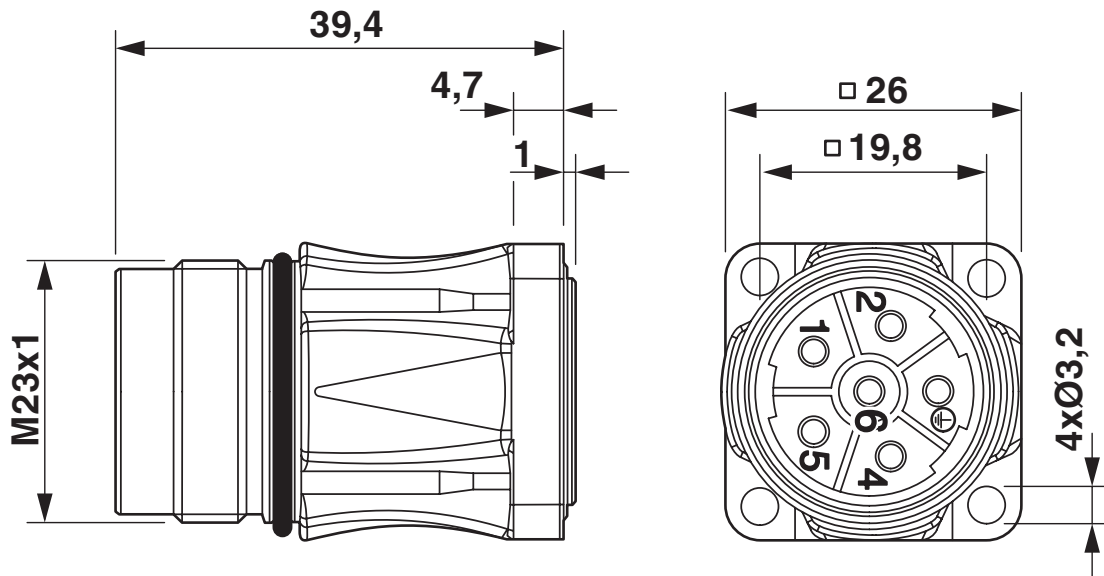
Device connector front mounting - SF-5EP1N8AWA00



1605520

<https://www.phoenixcontact.com/sk/products/1605520>

Dimensional drawing



Dimensional drawing

Device connector front mounting - SF-5EP1N8AWA00




1605520

<https://www.phoenixcontact.com/sk/products/1605520>

Approvals

 cUL Recognized Approval ID: E153698-20041116	Nominal Voltage U_N	Nominal Current I_N	Cross Section AWG	Cross Section mm^2
	600 V	18 A	- 12	-

 UL Recognized Approval ID: E153698-20041116	Nominal Voltage U_N	Nominal Current I_N	Cross Section AWG	Cross Section mm^2
	600 V	27 A	- 12	-

 EAC Approval ID: B.01687
--

cULus Recognized

Device connector front mounting - SF-5EP1N8AWA00



1605520

<https://www.phoenixcontact.com/sk/products/1605520>

Classifications

ECLASS

ECLASS-9.0	27440103
ECLASS-10.0.1	27440109
ECLASS-11.0	27440109

ETIM

ETIM 8.0	EC003569
----------	----------

UNSPSC

UNSPSC 21.0	39121400
-------------	----------

Device connector front mounting - SF-5EP1N8AWA00



1605520

<https://www.phoenixcontact.com/sk/products/1605520>

Environmental Product Compliance

China RoHS	Environmentally friendly use period: unlimited = EFUP-e
	No hazardous substances above threshold values

1605520

<https://www.phoenixcontact.com/sk/products/1605520>

Accessories

Crimp contact

Crimp contact - SF-7RP2000 - 1605646

<https://www.phoenixcontact.com/sk/products/1605646>



Crimp contact, turned, Single contact, contact diameter: 2 mm, crimp range: 0.14 mm² ... 0.25 mm² item no.: 1241951

Crimp contact

Crimp contact - SF-7PP2000 - 1605634

<https://www.phoenixcontact.com/sk/products/1605634>



Crimp contact, turned, Single contact, contact diameter: 2 mm, crimp range: 0.25 mm² ... 1 mm² item no.: 1241951

Device connector front mounting - SF-5EP1N8AWA00



1605520

<https://www.phoenixcontact.com/sk/products/1605520>

Crimp contact

Crimp contact - SF-20KP004 - 1607376

<https://www.phoenixcontact.com/sk/products/1607376>



Crimp contact, turned, contact diameter: 2 mm, crimp range: 0.75 mm² ... 1.5 mm² item no.: 1241953

Crimp contact

Crimp contact - SF-7QP2000 - 1605639

<https://www.phoenixcontact.com/sk/products/1605639>



Crimp contact, turned, Single contact, contact diameter: 2 mm, crimp range: 1 mm² ... 2.5 mm² item no.: 1241953

Device connector front mounting - SF-5EP1N8AWA00



1605520

<https://www.phoenixcontact.com/sk/products/1605520>

Crimp contact

Crimp contact - SF-7MP2000 - 1605626

<https://www.phoenixcontact.com/sk/products/1605626>



Crimp contact, turned, Single contact, contact diameter: 2 mm, crimp range: 4 mm² ... 4 mm² item no.: 1241948

Protective cap

Protective cap - SF-Z0019 - 1607449

<https://www.phoenixcontact.com/sk/products/1607449>



Plastic protection cap, with eye, IP40 for connectors with M23 external thread, RF, SF series

Device connector front mounting - SF-5EP1N8AWA00



1605520

<https://www.phoenixcontact.com/sk/products/1605520>

Protective cap

Protective cap - RC-Z2059 - 1604225

<https://www.phoenixcontact.com/sk/products/1604225>

Plastic protection cap for connectors with M23 external thread



Protective cap

Protective cap - RC-Z2469 - 1611797

<https://www.phoenixcontact.com/sk/products/1611797>

Plastic protection cap, antistatic, for RF, SF, CA, RC series connectors, with M23 external thread



1605520

<https://www.phoenixcontact.com/sk/products/1605520>

Metal protective cap

Metal protective cap - SC-Z2319 - 1605456

<https://www.phoenixcontact.com/sk/products/1605456>



Metal protection cap for power connectors with M23 external thread

Metal protective cap

Metal protective cap - SC-Z2320 - 1605457

<https://www.phoenixcontact.com/sk/products/1605457>



Metal protection cap with steel wire for power connectors with M23 external thread

Device connector front mounting - SF-5EP1N8AWA00



1605520

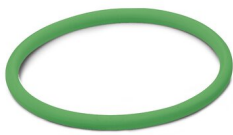
<https://www.phoenixcontact.com/sk/products/1605520>

Color-coding

Color-coding - RF-Z0017 - 1620624

<https://www.phoenixcontact.com/sk/products/1620624>

Color-coding, color: green



Color-coding

Color-coding - RF-Z0018 - 1620625

<https://www.phoenixcontact.com/sk/products/1620625>

Color-coding, color: orange



Device connector front mounting - SF-5EP1N8AWA00



1605520

<https://www.phoenixcontact.com/sk/products/1605520>

Color-coding

Color-coding - RF-Z0019 - 1620626

<https://www.phoenixcontact.com/sk/products/1620626>

Color-coding, color: anthracite



Phoenix Contact 2023 © - all rights reserved

<https://www.phoenixcontact.com>

PHOENIX CONTACT s.r.o.

Námestie Mateja Korvína 1

811 07 Bratislava

+421 2 3210 1470

obchod.sk@phoenixcontact.com