

4

3

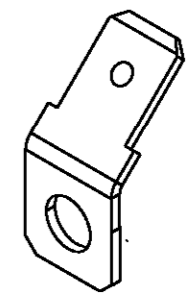
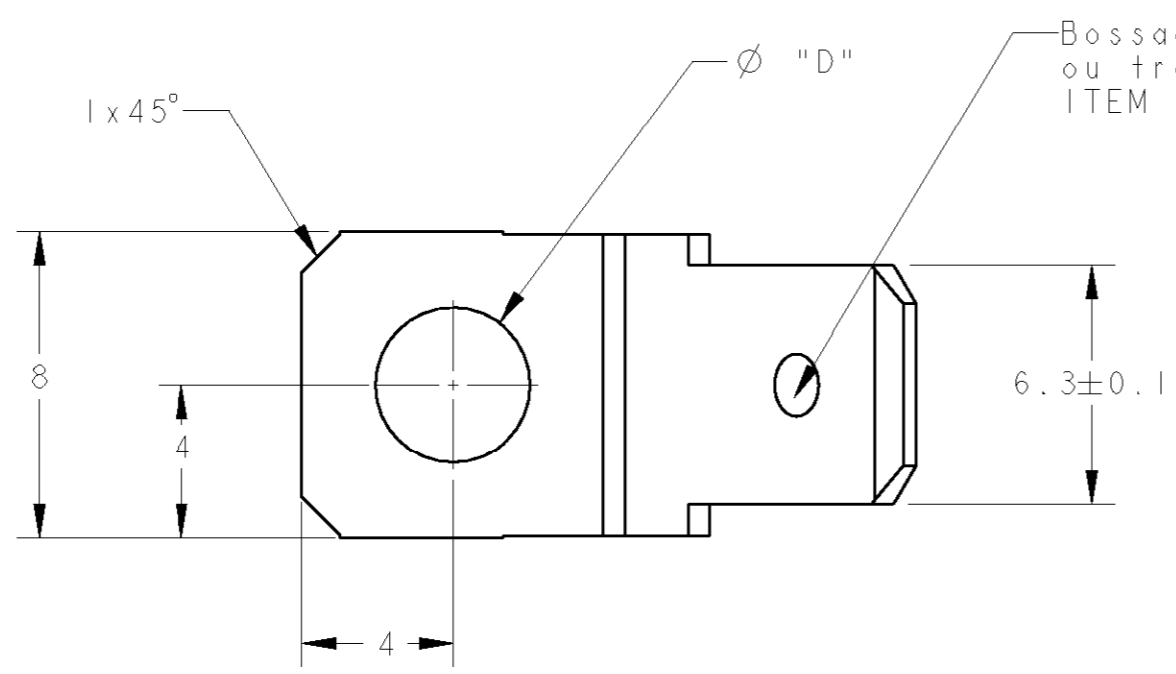
2

1

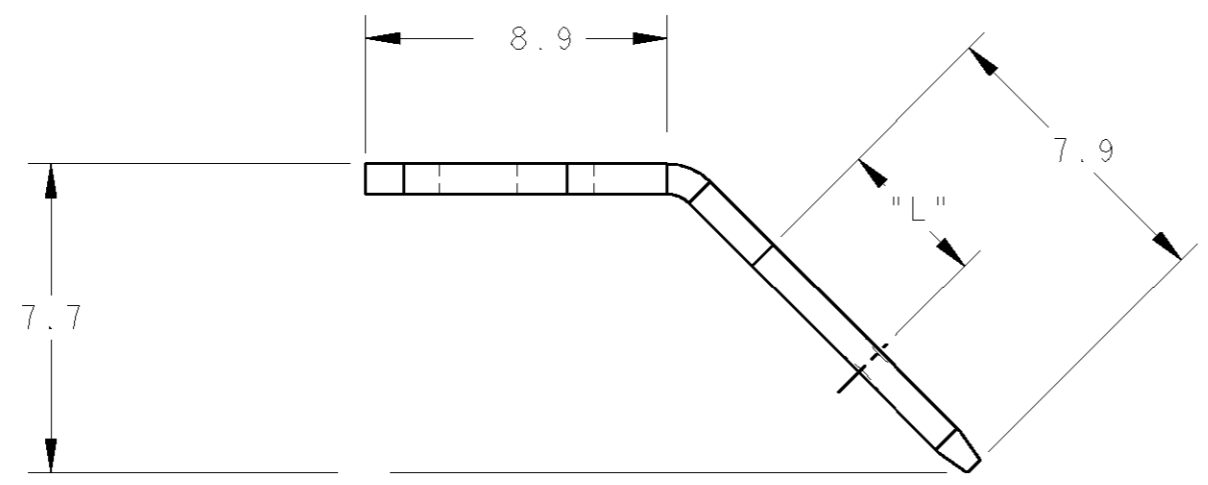
THIS DRAWING IS UNPUBLISHED.  
 DIFFUSION RESTREINTE AMP  
 © COPYRIGHT BY

RELEASED FOR PUBLICATION  
 LIBRE A LA DIFFUSION  
 20  
 ALL RIGHTS RESERVED.  
 TOUS DROITS RESERVES

LOC	DIST	REVISIONS			
P	LTR REV	DESCRIPTION MODIFICATIONS	DATE	DWN DESS.	APVD APP.
F	7	M1 REVISED PER ECO-11-005140	29APR11	RK	HMR



ECHELLE 2:1



141158-1	dore	4.1	3	bossage
141036-1	brut	3.4	5.2	trou
140829-2	etame	3.4	3	trou
140829-1	brut	3.4	3	trou
140814-2	etame	3.4	4.1	trou
140814-1	brut	3.4	4.1	trou
140856-2	etame	4.1	3.7	bossage
140856-1	brut	4.1	3.7	bossage
140759-1	nickele	4.1	5.2	bossage
140759-0	etame	4.1	5.2	bossage
140665-0	brut	4.1	5.2	bossage
140660-0	etame	4.1	3	bossage
140659-0	brut	4.1	3	bossage
140598-0	etame	4.1	4.1	bossage
140597-0	brut	4.1	4.1	bossage
Reference	Finition	"L"	"D"	"d"

DWN/DESSINE 30MARS98 O. LEMPEREUR			
CHK/VERIFIE - G. ROBERT			
APVD/APPROUVE - Y. PETRONIN		NAME/TITRE FASTON TABS BENT 45 .250 series LANGUETTE POUR CLIPS	
DIMENSIONS: mm		TOLERANCES UNLESS OTHERWISE SPECIFIED: TOLERANCES NON SPECIFIEES (SUIV NB DE DECIMALES): 0 PLC/DEC: ±0.2 1 PLC/DEC: ±0.2 2 PLC/DEC: ±0.2 3 PLC/DEC: ±0.2 4 PLC/DEC: ±0.2 ANGLES ±30'	
MATERIAL/MATIERE LAITON		FINISH/FINITION Voir tableau	
PRODUCT SPEC SPEC. PRODUIT -		APPLICATION SPEC SPEC. APPLICATION -	
WEIGHT MASSE APPROX. -		SIZE FORMAT A3	
CUSTOMER DRAWING /PLAN CLIENT		CAGE CODE 00779	
UNIQUEMENT POUR REFERENCE		DRAWING NO No PLAN C-140597	
SCALE ECHELLE 5:1		RESTRICTED TO RESERVE A -	
SHEET FEUILLE		OF DE	
REV M1			