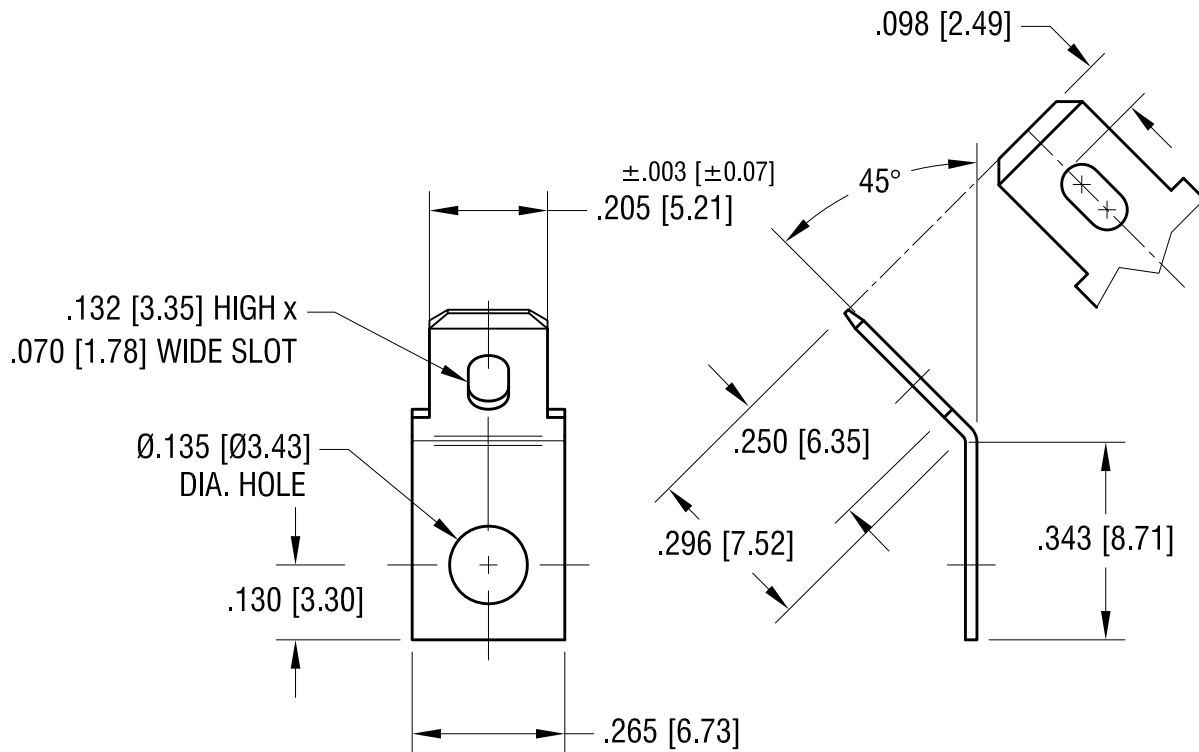


THIS DOCUMENT IS THE PROPERTY OF
KEYSTONE ELECTRONICS CORP. AND
SHALL NOT BE REPRODUCED, DISTRIBUTED
OR USED AS A BASIS FOR MANUFACTURE
WITHOUT PRIOR WRITTEN PERMISSION
FROM KEYSTONE ELECTRONICS CORP.

ACTUAL SIZE



KEYSTONE ELECTRONICS CORP.

www.keyelco.com • ASTORIA, N.Y. 11105-2017 • Tel (718) 956-8900

PART NAME		.205 [5.21] QUICK-FIT TERMINAL	
MATERIAL		.020 [0.50] TH'K BRASS	
FINISH	BRIGHT TIN PLATE	DRN BY	BOONE
		DATE	9.20.95
		APP'D	LN
		SCALE	3X
TOLERANCES	INCH [MM]	CODE	DWG NO.
DECIMAL	± .005 [± 0.15]	C	4005
ANGULAR	± 1°		
UNLESS OTHERWISE SPECIFIED			

7.25.12	CHANGE AS PER ECN 7.25.12	C
7.19.11	CHANGE AS PER ECN 11-094	B
6.24.09	CHANGE AS PER ECN 09-077	A
DATE	DESCRIPTION	REV.