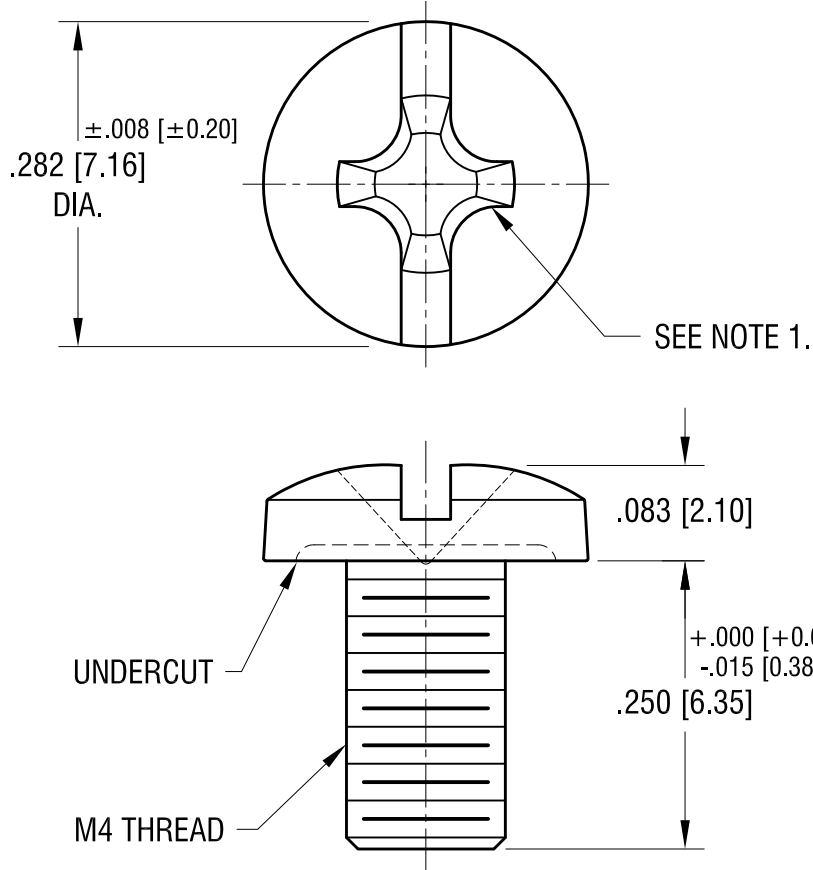


THIS DOCUMENT IS THE PROPERTY OF
KEYSTONE ELECTRONICS CORP. AND
SHALL NOT BE REPRODUCED, DISTRIBUTED
OR USED AS A BASIS FOR MANUFACTURE
WITHOUT PRIOR WRITTEN PERMISSION
FROM KEYSTONE ELECTRONICS CORP.



NOTE:
1. TO ACCEPT STANDARD SLOT
OR PHILLIPS DRIVE.

KEYSTONE ELECTRONICS CORP.			
www.keyelco.com • ASTORIA, N.Y. 11105-2017 • Tel (718) 956-8900			
PART NAME			
COMBINATION BINDING HEAD SCREW			
MATERIAL			
BRASS			
FINISH		DRN BY	DATE
NICKEL PLATE		NT	7.09.08
		APP'D	SCALE
		LN	6X
TOLERANCES	INCH [MM]	CODE	DWG NO.
DECIMAL	± .005 [± 0.13]	C	7799-1
ANGULAR	± 1°		
UNLESS OTHERWISE SPECIFIED			

2.14.11	CHANGE AS PER ECN 11-012	A
DATE	DESCRIPTION	REV.