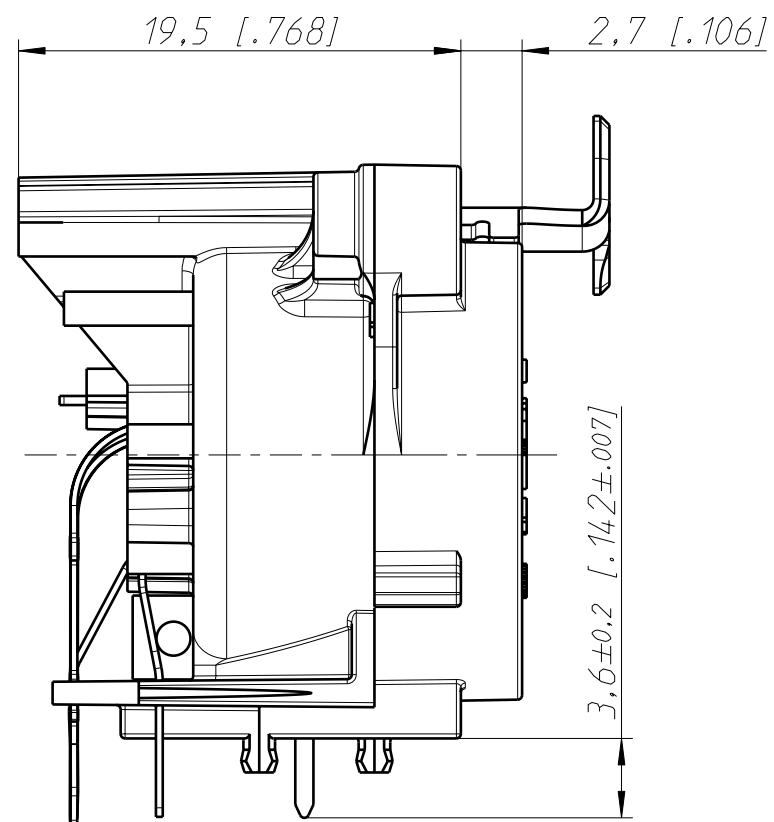
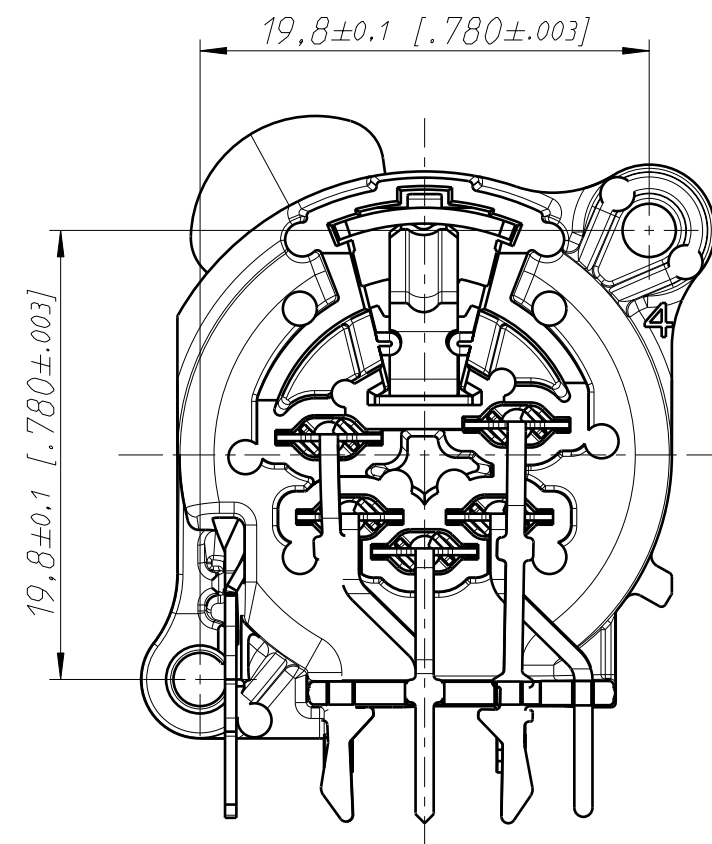


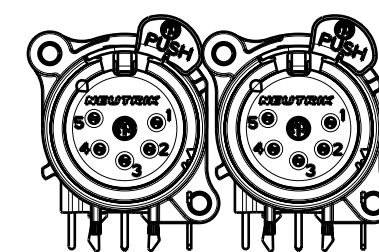
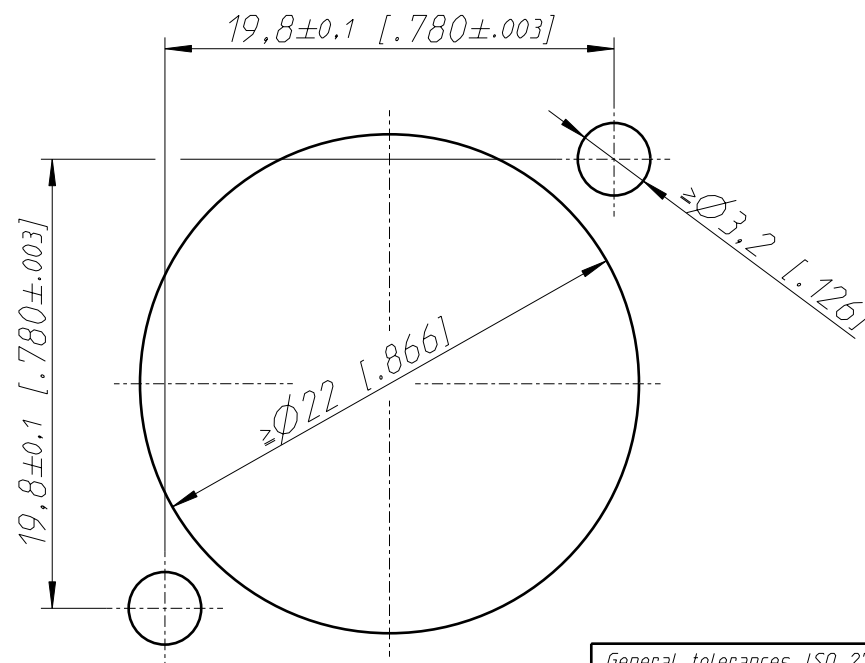
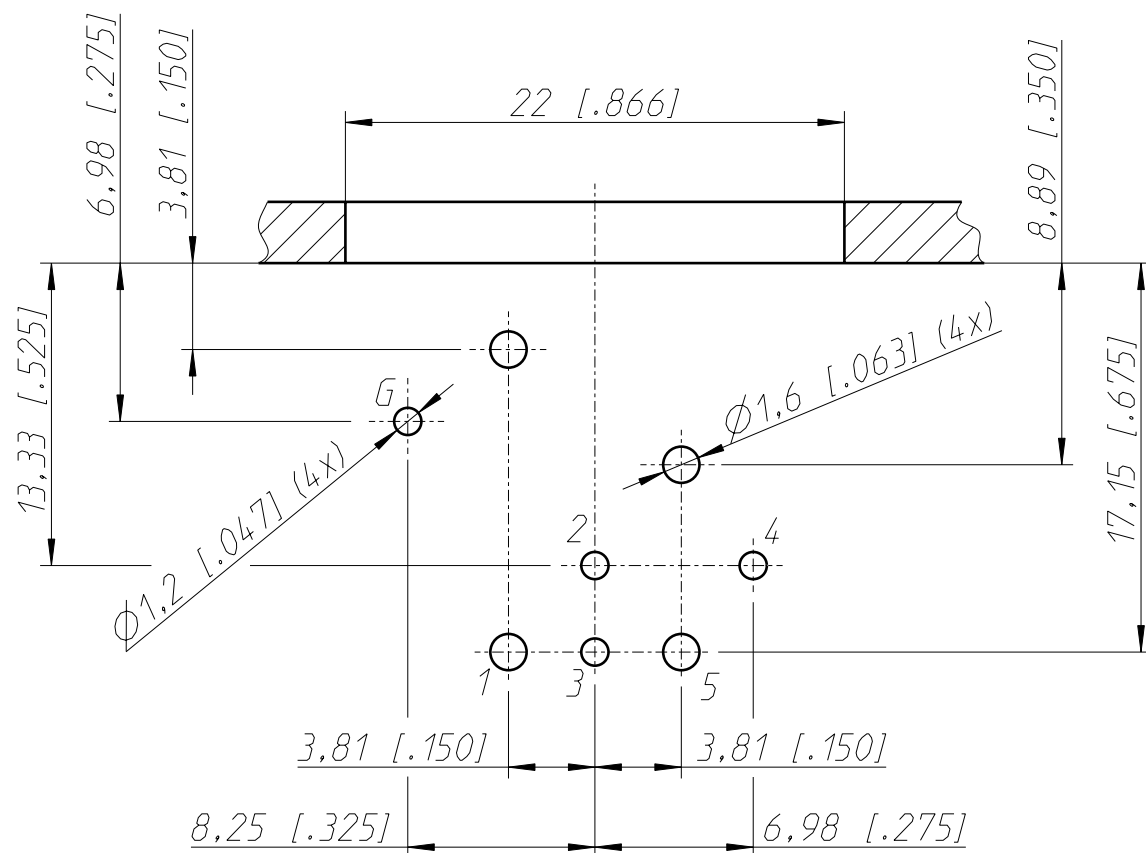
Print Bohrplan (Bestueckungsseite)
Pcb-Layout (component side)



Frontplattenausschnitt (Rueckseite)
Panel cut ou (rear side)



min. Einbauabstand
min assembling distance



1:1

General tolerances ISO 2768-m	Scale	Date	Name
Refer to protection notice ISO 16016.	3:1 (A3)	17.05.17	Karlinger
Name	NC5FAH	Modified	-
	NC5FAH-DA	Change-No.	Sheet-No.
		-	1 / 1
		Index	-
Replacement for:		Drawing-No.	
NEUTRIK		ST-NC5FAH-DA	