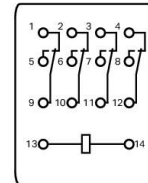


Data sheet | Item number: 858-171

Basic relay; Nominal input voltage: 24 VDC; 4 changeover contacts; Limiting continuous current: 5 A; with gold contacts; with manual operation



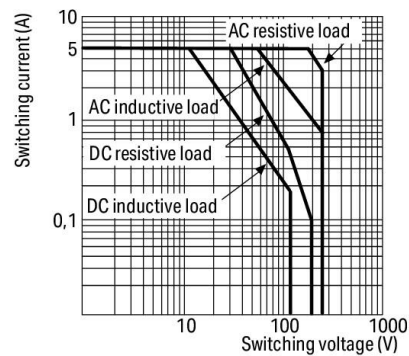
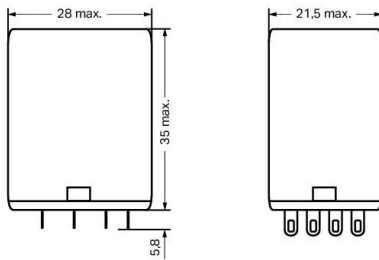
www.wago.com/858-171



 Picture differs from the item.

Similar to picture

RoHS  Compliant 



Load limit curve

Item description

Note:

To prevent damaging the gold layer, 30 VDC switching voltages and 50 mA currents must not be exceeded. Higher switching power eventually evaporates the gold layer. The resulting deposits in the housing may reduce service life.

Subject to changes. Please also observe the further product documentation!

WAGO Kontakttechnik GmbH & Co. KG
Hansastr. 27
32423 Minden
Phone: +49571 887-0 | Fax: +49571 887-169
Email: info.de@wago.com | Web: www.wago.com

Do you have any questions about our products?
We are always happy to take your call at +49 (571) 887-44222.

Data

Technical data

Control circuit

Nominal input voltage U_N	DC 24 V
Nominal input current at U_N	42 mA

Load circuit

Number of changeover/switchover contacts	4
Contact material (relay)	AgCe + Au
Limiting continuous current	5 A
Inrush current (resistive) (max.)	(AC) 15 A / 4 s
Switching voltage (max.)	AC 250 V
Switching power (resistive) (max.)	AC 1000 VA; DC (see load limit curve)
Recommended minimum load	5 V / 1 mA / 50 mW
Pull-in time (typ.)	25 ms
Drop-out time (typ.)	25 ms
Bounce time (typ.)	4 ms
Electrical life (NO; resistive load; 23 °C)	100 x 10 ³ switching operations
Mechanical life	20 x 10 ⁶ switching operations

Signaling

Status indicator	Red LED Mechanical
------------------	-----------------------

Safety and protection

Dielectric strength, control/load circuit (AC, 1 min)	1.5 kVrms
Dielectric strength, open contact (AC, 1 min)	1 kVrms
Dielectric strength, load/load circuit (AC, 1 min)	1.5 kVrms
Protection type	IP20

Physical data

Width	21.5 mm / 0.846 inch
Height from the surface	35 mm / 1.378 inch

Subject to changes. Please also observe the further product documentation!

Depth	28 mm / 1.102 inch
-------	--------------------

Mechanical data

Mounting type	Pluggable module
---------------	------------------

Material data

Weight	38.8 g
--------	--------

Environmental requirements

Surrounding air temperature (operation at U_N)	-25 ... 70 °C
---	---------------

Surrounding air temperature (storage)	-40 ... 80 °C
---------------------------------------	---------------

Standards and specifications

Standards/Specifications	EN 61810-1
--------------------------	------------

Commercial data

Product Group	6 (Interface Electronics)
---------------	---------------------------

Packaging type	BOX
----------------	-----

Country of origin	CN
-------------------	----

GTIN	4055143532068
------	---------------

Customs tariff number	85364190890
-----------------------	-------------

Compatible products

General accessories



Item no.: 858-100
Relay socket; 4 changeover contacts

www.wago.com/858-100

Downloads

Documentation

Additional Information

Disposal; Electrical and electronic equipment, Packaging	V 1.0.0	pdf 265.8 kB	Download
--	---------	-----------------	----------

Environmental Product Compliance

Subject to changes. Please also observe the further product documentation!

WAGO Kontakttechnik GmbH & Co. KG
Hansastr. 27
32423 Minden
Phone: +49571 887-0 | Fax: +49571 887-169
Email: info.de@wago.com | Web: www.wago.com

Do you have any questions about our products?
We are always happy to take your call at +49 (571) 887-44222.



Compliance Search

Environmental Product Compliance 858-171

URL

Download

Basic relay; Nominal input voltage: 24 VDC; 4 changeover contacts; Limiting continuous current: 5 A; with gold contacts; with manual operation

Installation Notes

Subject to changes. Please also observe the further product documentation!

WAGO Kontakttechnik GmbH & Co. KG
Hansastr. 27
32423 Minden
Phone: +49571 887-0 | Fax: +49571 887-169
Email: info.de@wago.com | Web: www.wago.com

Do you have any questions about our products?
We are always happy to take your call at +49 (571) 887-44222.