

REV.	DESCRIPTION	DRAWN	DATE
1	INITIAL RELEASE	FROS	2025/08/07

SPECIFICATION:

1. ELECTRICAL
 - 1.1 Current Rating: 1.5A per pin
 - 1.2 Voltage Rating: 60V AC/DC
 - 1.3 Contact Resistance: 10mΩ
 - 1.4 Insulation Resistance: 100MΩ
 - 1.5 Dielectric Withstanding Voltage: 250VAC
 - 1.6 Impedance: 100Ω
 - 1.7 Frequency: 10 GHz
2. MECHANICAL
 - 2.1 Durability: 25 Cycle
3. ENVIRONMENTAL
 - 3.1 Operating temperature range: -40°C~+105°C
 - 3.2 Storage temperature range: -40°C~+105°C
4. SOLDER ABILITY
 - 4.1 Recommended Wave Soldering Temperature: 260°

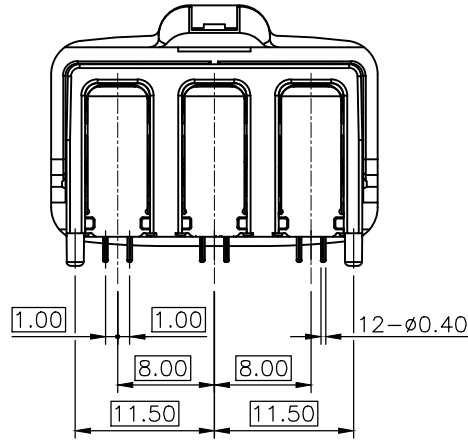
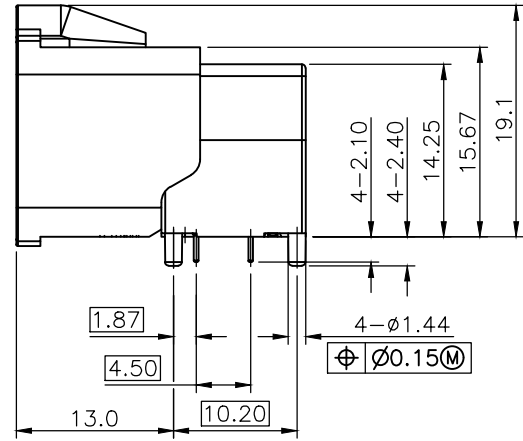
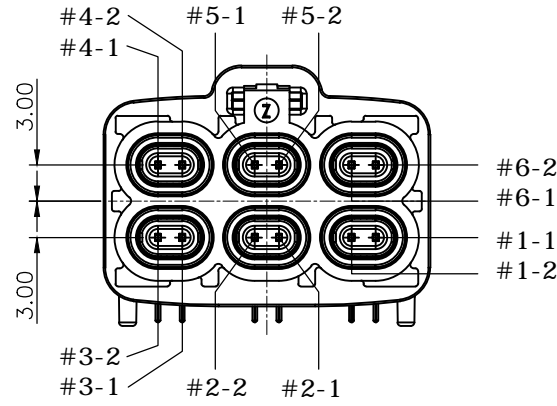
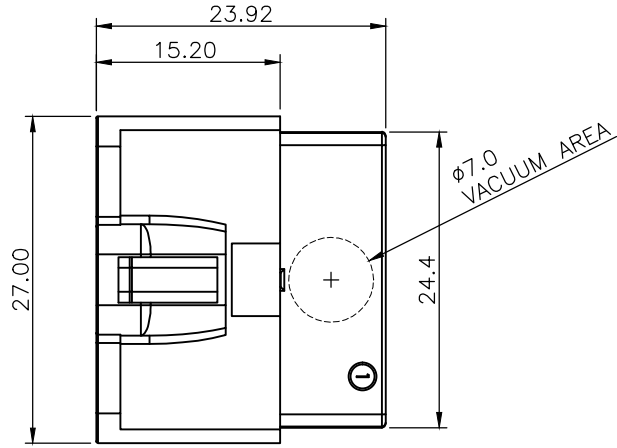
How to order

232D- P 0 Z 00

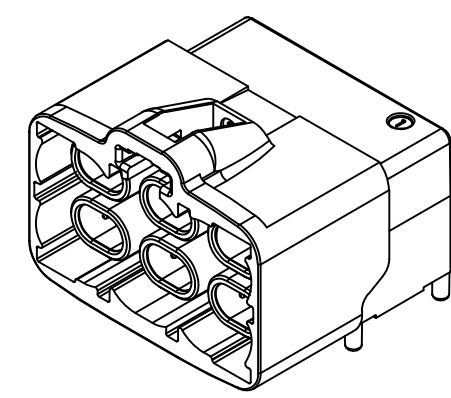
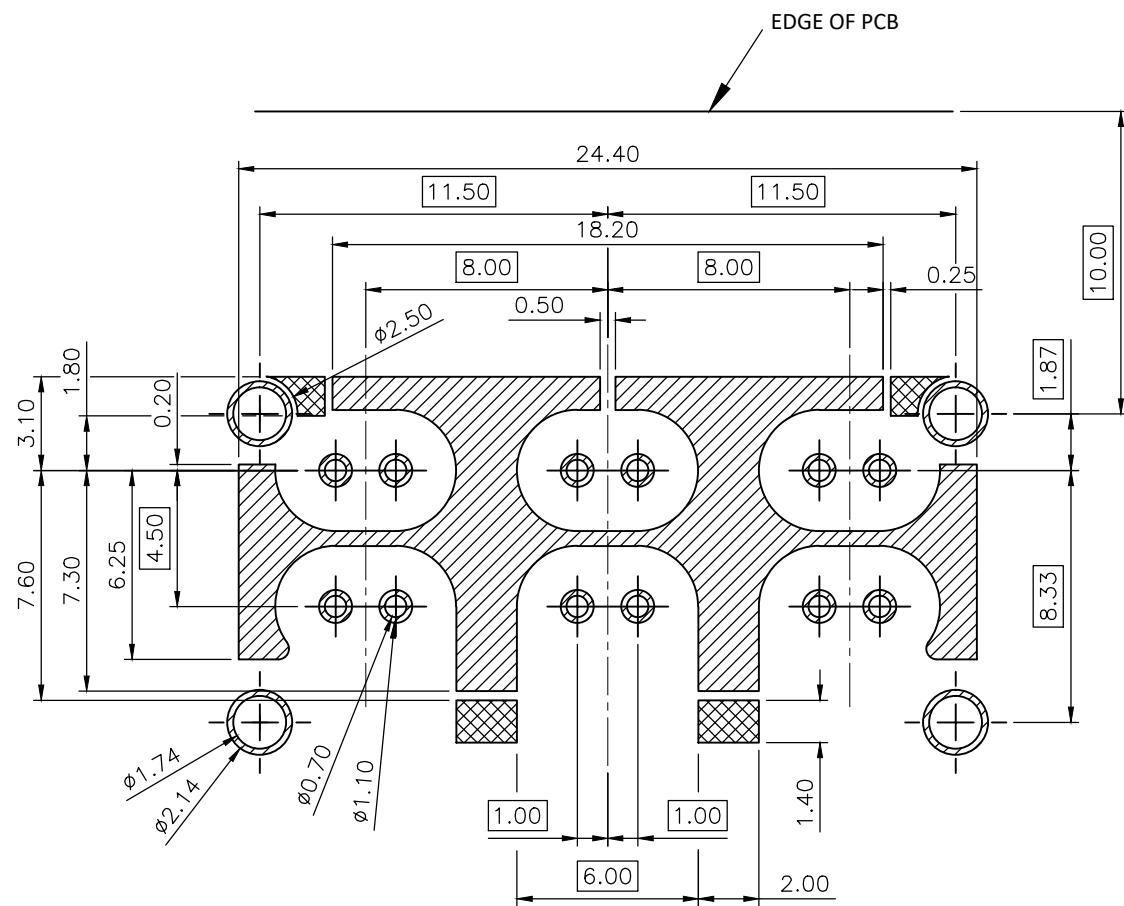



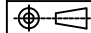
5	GROUND PIN	Copper alloy, tin plating over nickel
4	OUTER-CNT	Zinc alloy, tin plating over nickel
3	CONTACT	Copper alloy, 6u" gold on contact area, tin plating on solder tails, under plating nickel over all
2	INNER-HSG	Thermoplastic, black
1	HOUSING	PA, UL94V-0, Black

NO.	PART NAME	DESCRIPTION		
UNLESS OTHERWISE SPECIFIED TOLERANCE				
UNIT:	DECIMAL	LINEAR	ANGLES	
	mm	X, ±0.50	±5°	
		X.X, ±0.25	±3°	
		X.XX, ±0.12	±1°	
www.attend.com.tw				
DRAWN	Fros	2025/08/07	DRAWN NAME:	
CHECKED	Tim	2025/08/07	HS-MTP Plug, 2x3 Port, Right Angle	
APPROVED	Ken	2025/08/07	PRODUCT NO. 232D-POX00	
SCALE	1.6/1	SHEET 1/3	SIZE A4	FILE NAME 232D-POX00_B_1

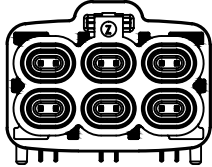
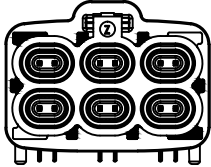
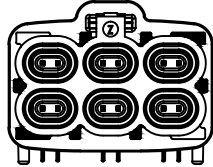
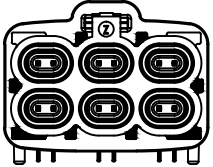
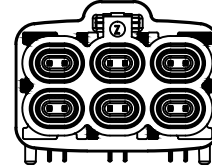
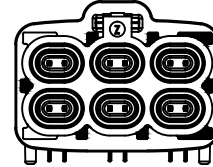
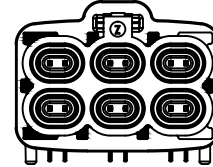
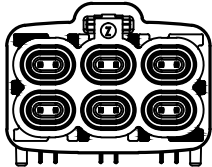
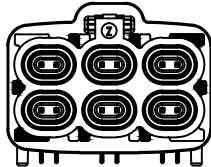
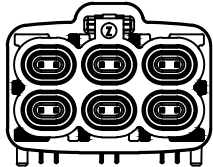
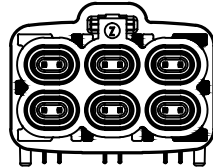
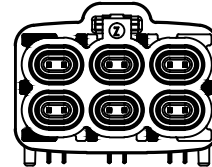
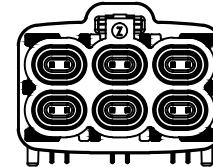
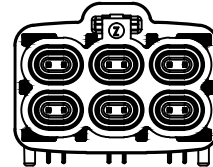



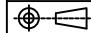
REV.	DESCRIPTION	DRAWN	DATE



UNLESS OTHERWISE SPECIFIED TOLERANCE				 www.attend.com.tw
UNIT:	DECIMAL	LINEAR	ANGLES	
mm	X.	±0.50	±5°	
	X.X	±0.25	±3°	
	X.XX	±0.12	±1°	
DRAWN	Fros	2025/08/07	DRAWN NAME:	
CHECKED	Tim	2025/08/07	HS-MTP Plug, 2x3 Port, Right Angle	
APPROVED	Ken	2025/08/07	PRODUCT NO. 232D-POX00	
	SCALE 4/1	SHEET 2/3	SIZE A4	FILE NAME 232D-POX00_B_1

REV.	DESCRIPTION	DRAWN	DATE

CODING	A	B	C	D	E	F	G
							
CODING	H	J	K	L	M	O	Z
							

UNLESS OTHERWISE SPECIFIED TOLERANCE				 www.attend.com.tw			
UNIT:	DECIMAL	LINEAR	ANGLES			DRAWN NAME: HS-MTP Plug, 2x3 Port, Right Angle	
mm	X.	±0.50	±5°				PRODUCT NO. 232D-POX00
	X.X	±0.25	±3°				
	X.XX	±0.12	±1°				
DRAWN	Fros	2025/08/07	DRAWN NAME:				
CHECKED	Tim	2025/08/07	PRODUCT NO. 232D-POX00				
APPROVED	Ken	2025/08/07	FILE NAME 232D-POX00_B_1				
	SCALE N/A	SHEET 3/3	SIZE A4				

REV.	DESCRIPTION	DRAWN	DATE
1	INITIAL RELEASE	FROS	2025/08/07

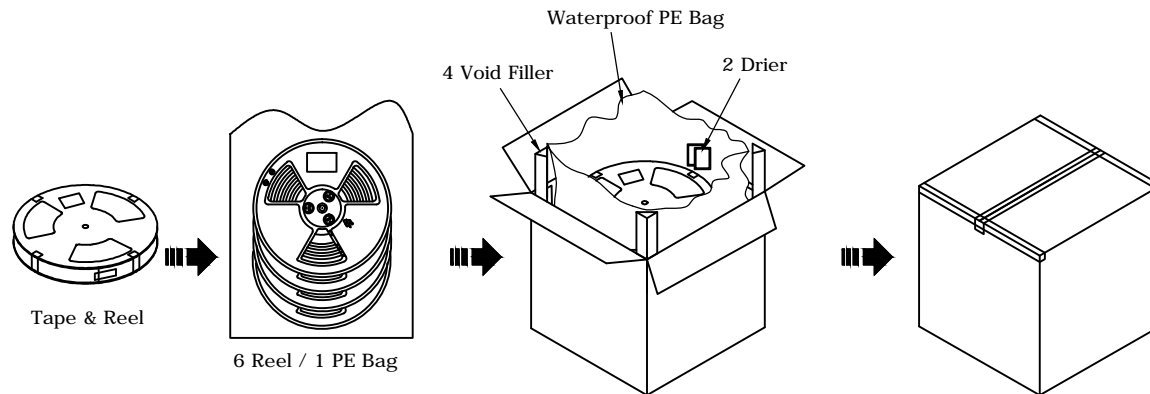
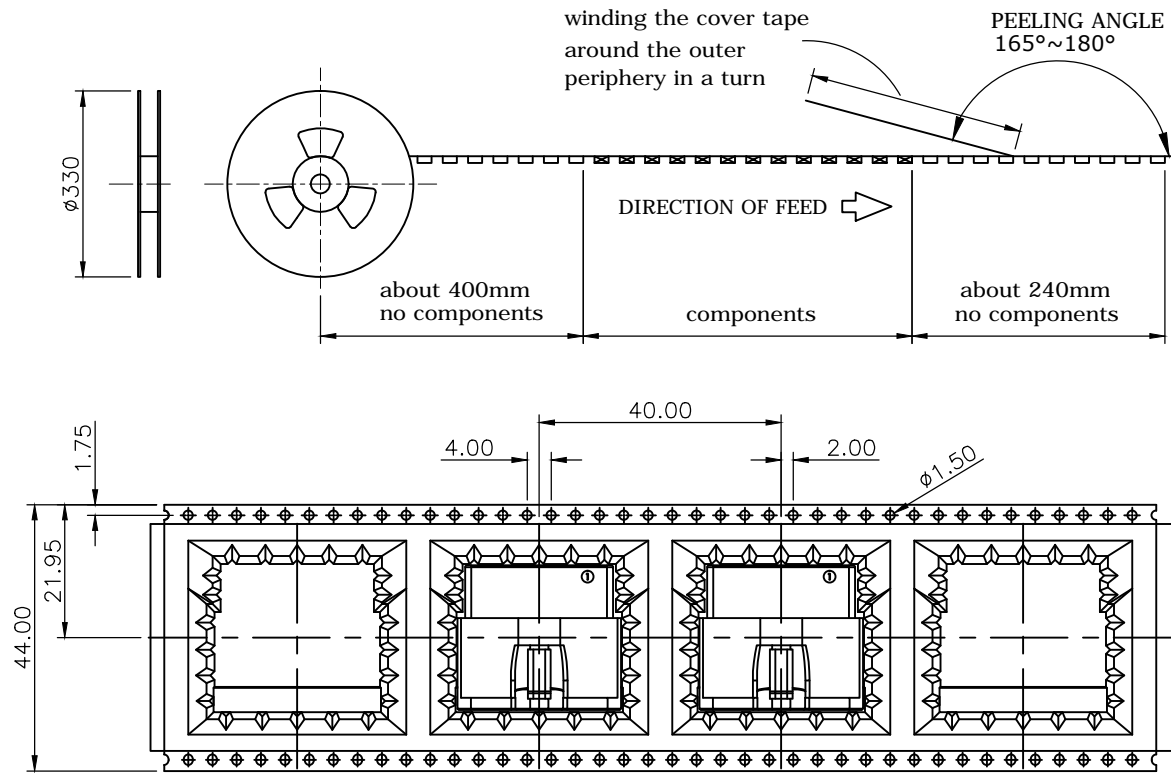
PACKAGING SPECIFICATION:

1. MATERIAL

- 1.1 Embossed Carrier Tape: PS Black
- 1.2 Top Cover Tape: PET
20-80g(Peel Speed 300mm/Minute)
- 1.3 Taping Reel: Plastic

2. PACKING

- 2.1 Quantity:
65 Piece/Reel
390 Piece/Outer Carton



UNLESS OTHERWISE SPECIFIED TOLERANCE			
UNIT:	DECIMAL	LINEAR	ANGLES
mm	X.	± 0.50	$\pm 5^{\circ}$
	X.X	± 0.25	$\pm 3^{\circ}$
	X.XX	± 0.12	$\pm 1^{\circ}$



www.attend.com.tw

DRAWN	Fros	2025/08/07	DRAWN NAME:	HS-MTP Plug, 2x3 Port, Right Angle
CHECKED	Tim	2025/08/07	PRODUCT NO.	232D-POX00
APPROVED	Ken	2025/08/07	FILE NAME	232D-POX00_B_1
	SCALE N/A	SHEET 1/1	SIZE A4	