

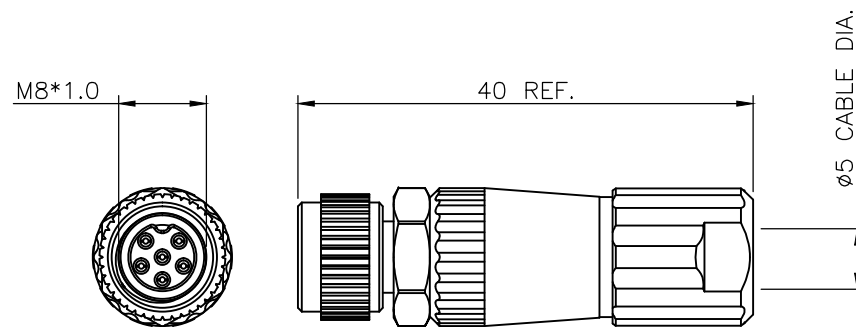
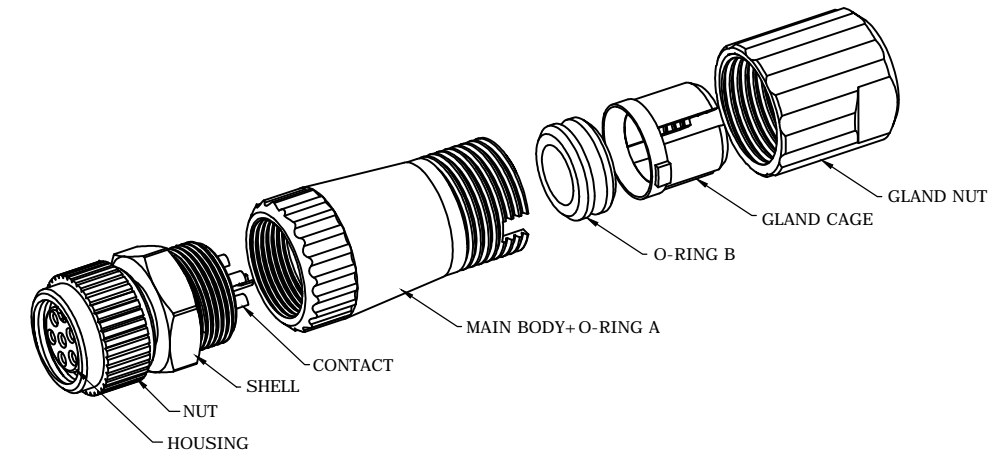
REV.	DESCRIPTION	DRAWN	DATE
1	INITIAL RELEASE	TIM	2023/10/11

SPECIFICATION:

- CURRENT RATING: 1.5A
- VOLTAGE: 30VAC/DC
- WATER PROOF: IPX7
- OPERATION TEMPERATURE: -40°C TO +85°C

NOTE:

Applicable Cable Outer Diameter: $\phi 4.0 \sim \phi 5.0 \text{mm}$



9	GLAND NUT	PA66, UL94V-0, Black
8	GLAND CAGE	PA66, UL94V-0, White
7	O-RING B	NBR, Black
6	O-RING A	EPDM, Black
5	MAIN BODY	PA66, UL94V-0, Black
4	CONTACT	Brass, Gold flash over Nickel
3	SHELL	Brass, Nickel plating
2	NUT	Brass, Nickel plating
1	HOUSING	PA66, UL94V-0, Black
NO	PART NAME	DESCRIPTION

UNLESS OTHERWISE SPECIFIED TOLERANCE

UNIT:	DECIMAL	LINEAR	ANGLES
mm	X.	± 0.50	$\pm 5^\circ$
	X.X	± 0.25	$\pm 3^\circ$
	X.XX	± 0.12	$\pm 1^\circ$



www.attend.com.tw

DRAWN	Tim	2023/10/11	DRAWN NAME:	M8 A- Code Plug for Cable, 6Pin Female for Field Installable
CHECKED	Fros	2023/10/11	PRODUCT NO.	219A-06FF0
APPROVED	Ken	2023/10/11	FILE NAME	219A-06FF0_B_1
	SCALE N/A	SHEET 1/1	SIZE A4	