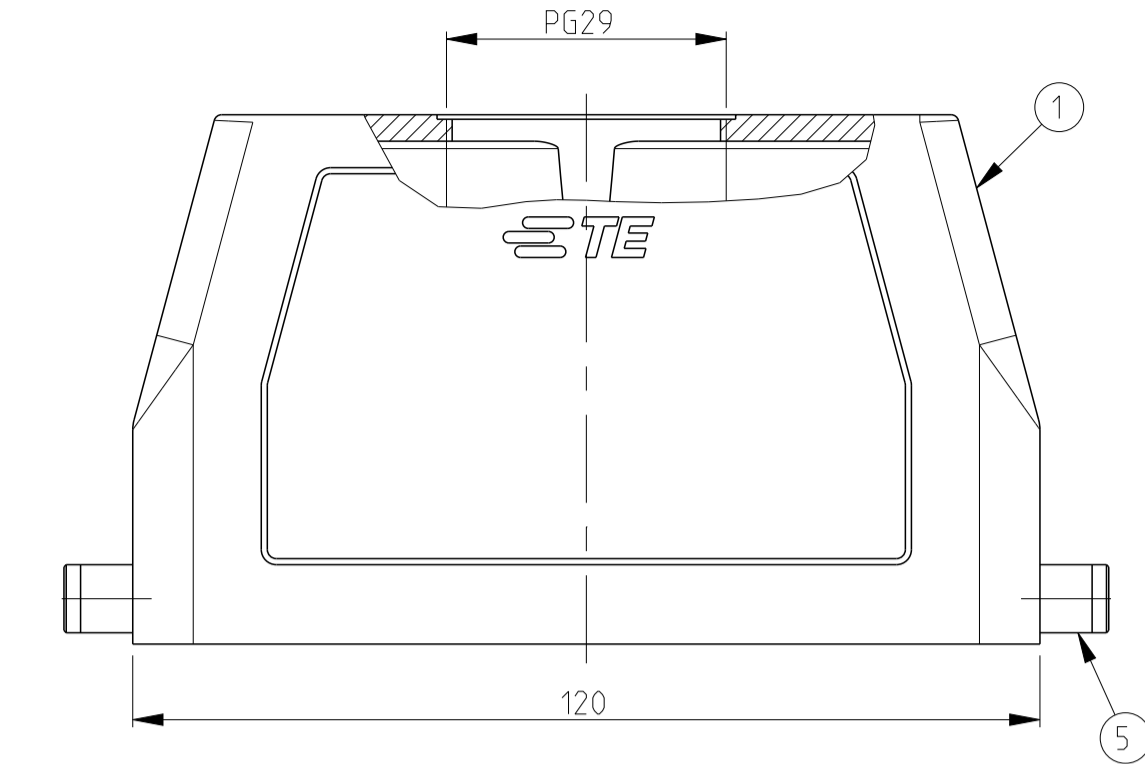
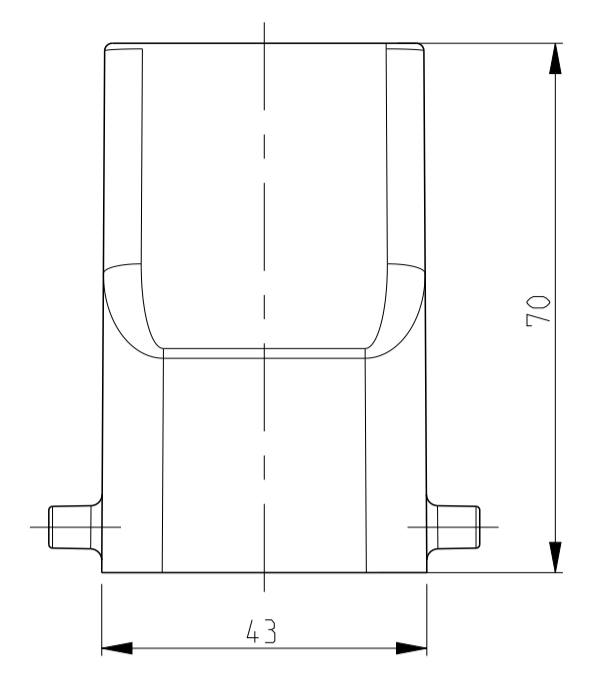
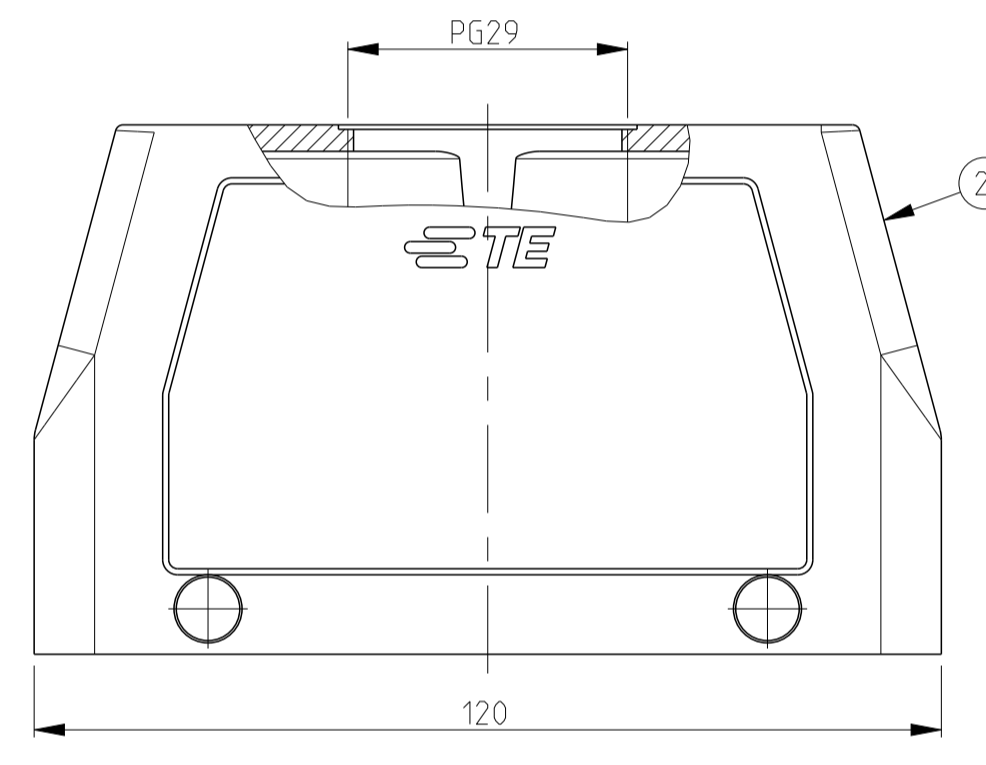
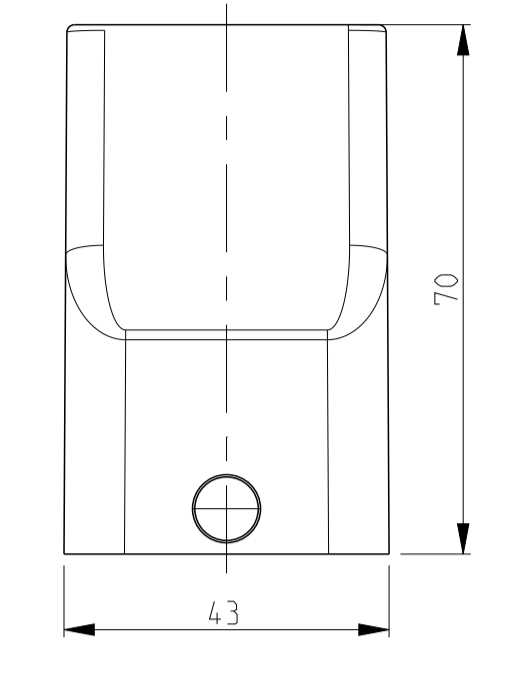


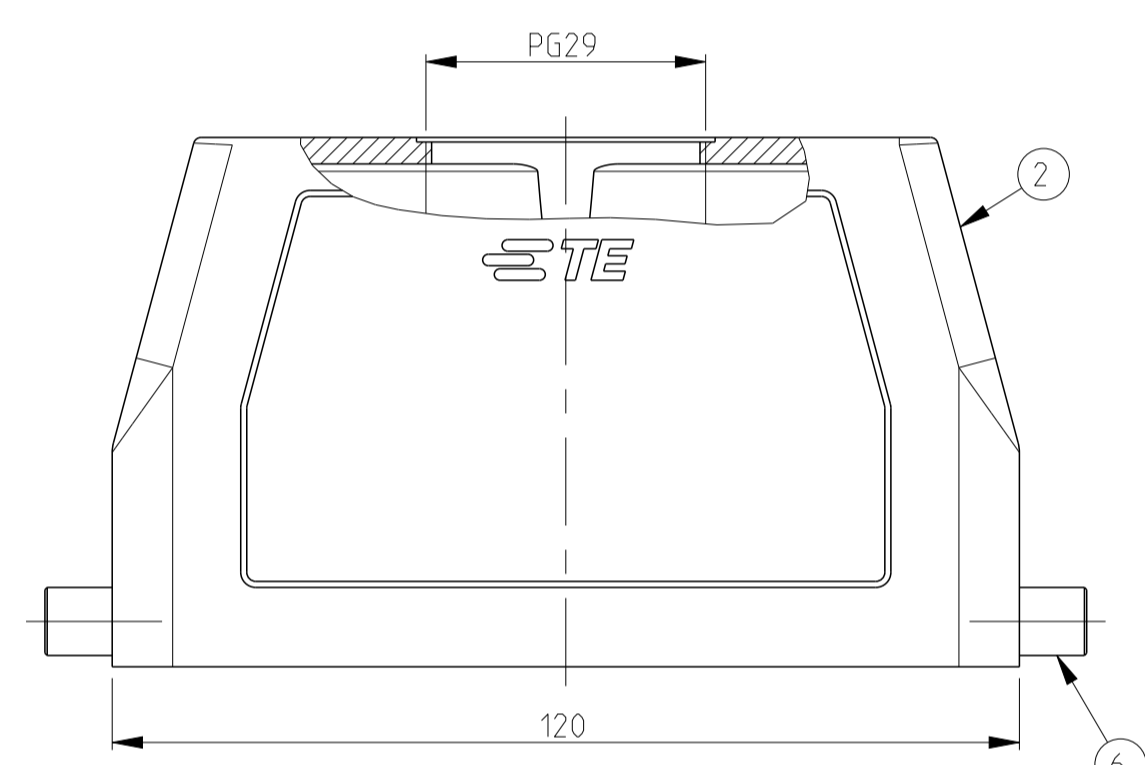
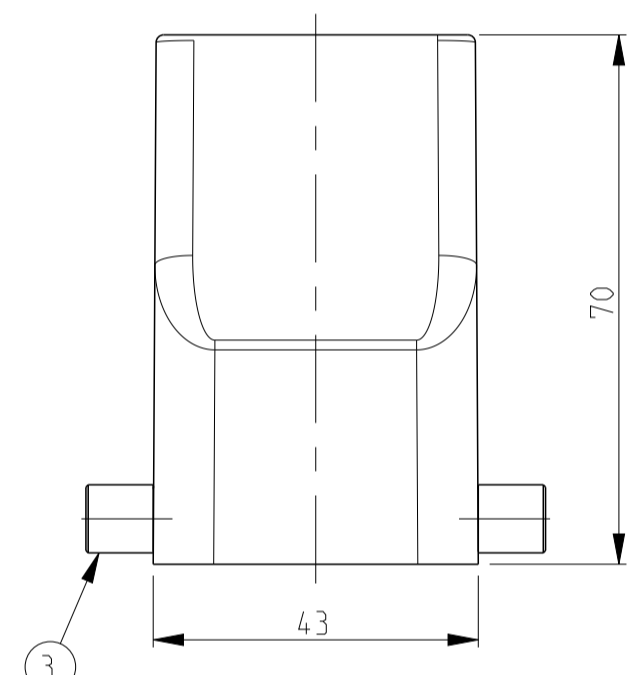
PN 1-6



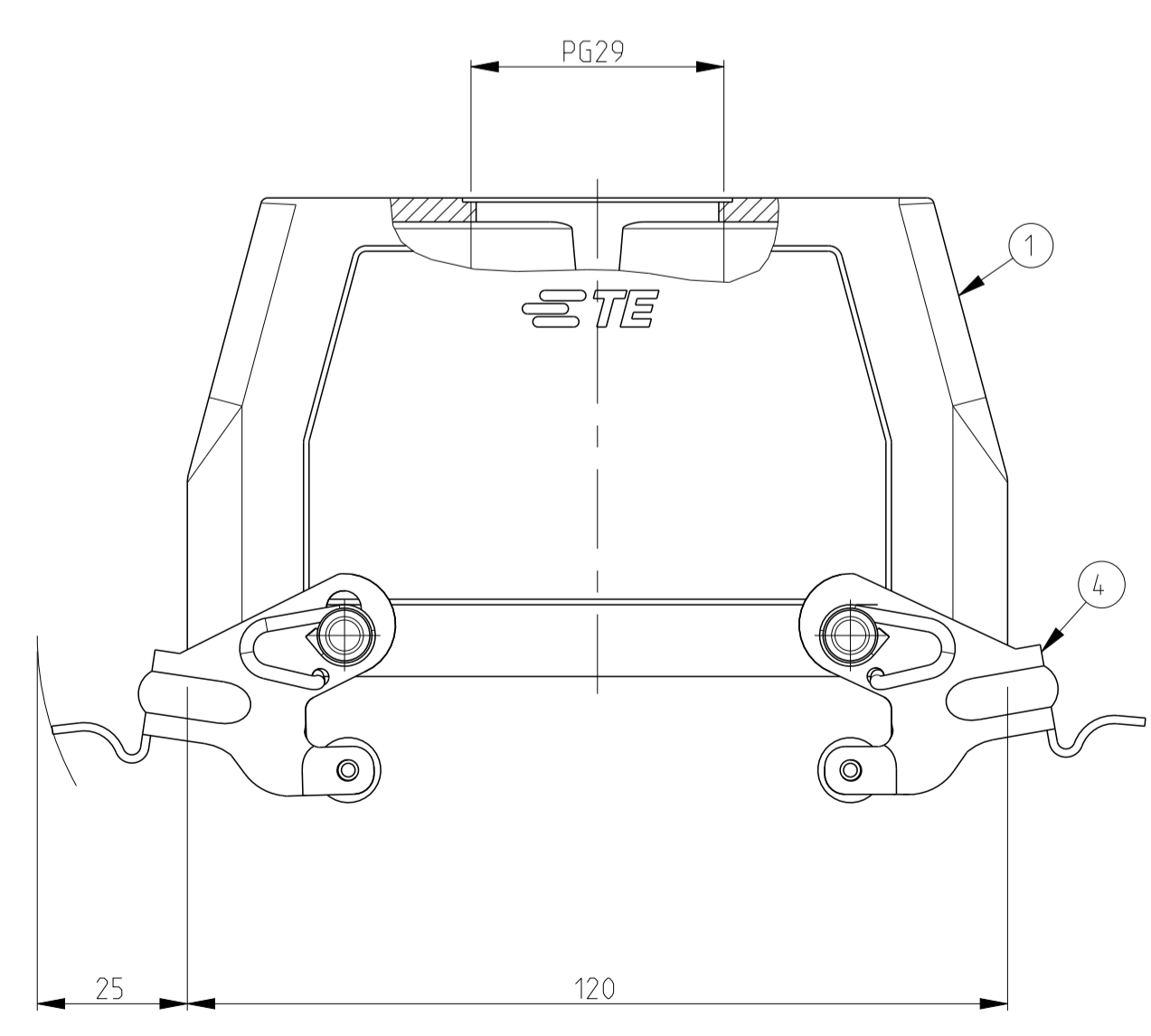
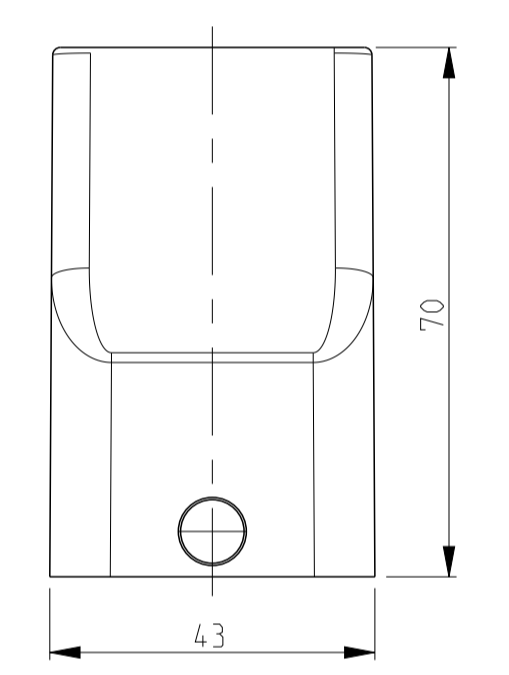
PN 1-7



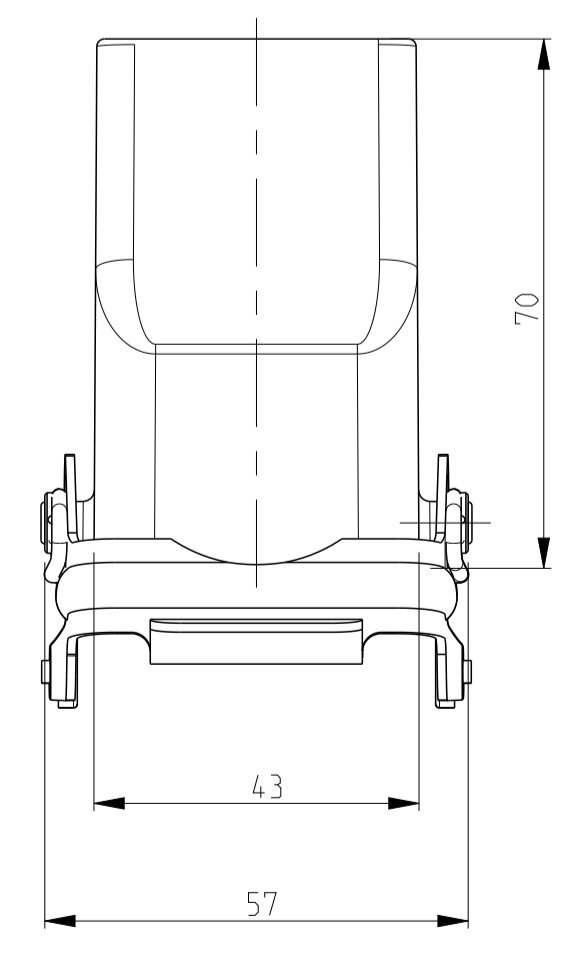
PN 2-6



PN 2-7

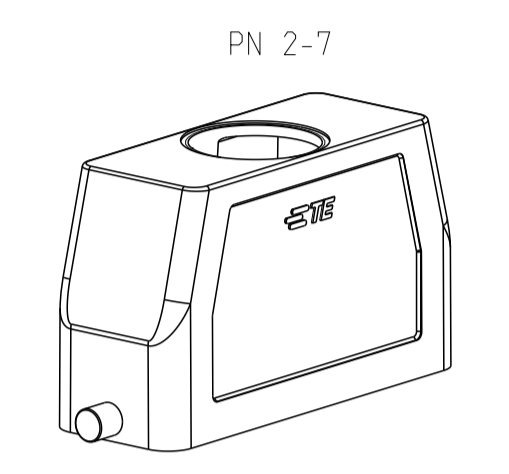


PN 1-1

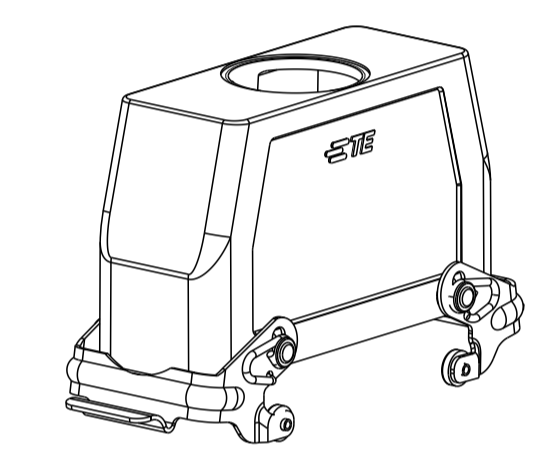


REVISIONS				
P.	LTH.	DESCRIPTION	DATE	DWN. APVD.
A4		ECR-17-013084	29MAR2018	SG MKO

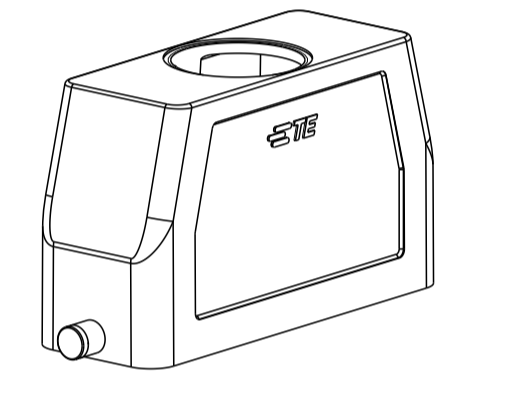
- NOTES.
- 1 Material:Housing:Aluminium Diecasting Alloy
  - 2 Surface:Varnish grey  
-Aluminium oxide-  
Varnish black
  - 3 Varnish on the inside not necessary
  - 4 Packaging  
Quantity 5 Pieces in a box



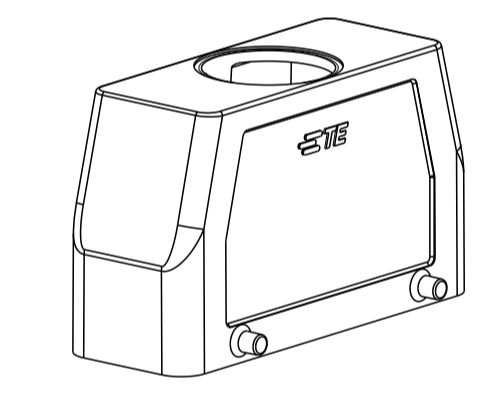
SCALE 1:2



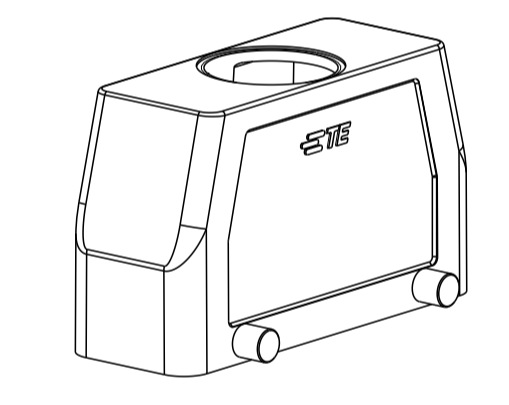
SCALE 1:2



SCALE 1:2



SCALE 1:2



SCALE 1:2

QTY	ITEM NO	DESCRIPTION	MATERIAL	SURFACE	COLOR	ITEM NO	REMARKS
2	1	LB-Clip bolt	Stainless steel	Blank	-	6	
2	2	LB-Clip bolt	Steel	Zinc plated	Blue	5	
4	2	VS-Side clip	Steel	Zinc plated	Blue	4	
4	4	VS-Clip bolt	Stainless steel	Blank	-	3	
1	1	HB-K Hood	Aluminium	Aluminium oxide	Black	2	
1	1	HB Hood	Aluminium	-	Grey	1	

ORDERING TEXT  
 HB.24.STO.1.29.G  
 HB-K.24.STO.1.29.G  
 HB.24.STO-VS.1.29.G  
 HB.24.STO-GR.1.29.G  
 HB-K.24.STO-GR.1.29.G

THIS DRAWING IS A CONTROLLED DOCUMENT. DWN. Schneider 30.01.2003  
 CHK. Schwieger 30.01.2003

DIMENSIONS: mm  
 TOLERANCES UNLESS OTHERWISE SPECIFIED:  
 0 PLC #  
 1 PLC #  
 2 PLC #  
 3 PLC #  
 4 PLC #  
 ANGLES #  
 FINISH #

MATERIAL: -

PRODUCT SPEC: 108-74003  
 APPLICATION SPEC: 116-74004  
 WEIGHT: -

CUSTOMER DRAWING

NAME: Hood  
 HB.24.STO.1.29.G

SIZE: A1  
 CAGE CODE: 00779  
 DRAWING NO: 1102328

RESTRICTED TO: A4

SCALE: 1:1  
 SHEET: 1 OF 1  
 REV: A4