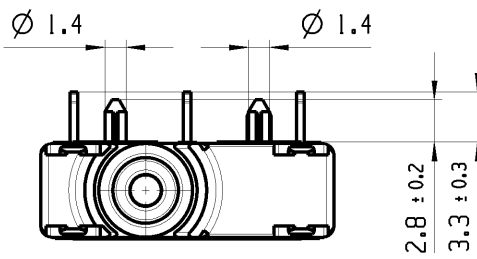
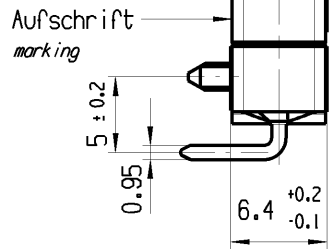
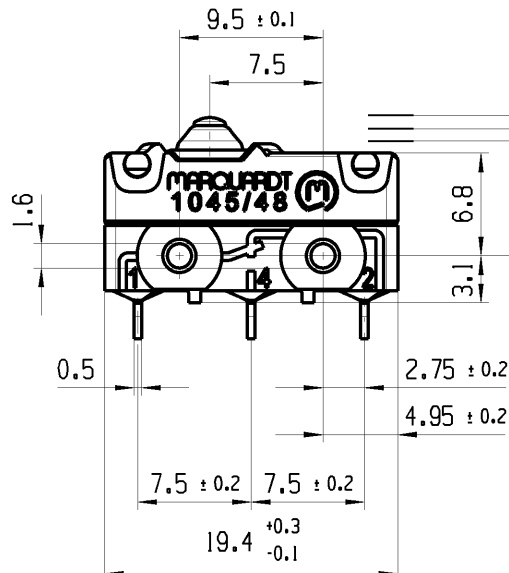


CONFIDENTIAL

VERTRAULICH

Alle Rechte bei Marquardt, auch fuer den Fall von Schutzrechtsmeldungen. Jede Veruegungsbefugnis, wie Kopier- und Weitergaberecht, bei uns.

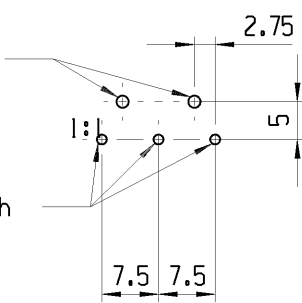
THIS DRAWING IS THE EXCLUSIVE PROPERTY OF MARQUARDT. WITHOUT THEIR CONSENT IT MAY NOT BE REPRODUCED OR GIVEN TO THIRD PARTIES.



Empfohlenes Lochbild Bestueckungsseite
Toleranzen nach DIN IEC 326 Teil 3 sehr fein
Recommended hole pattern component side
tolerances acc. to DIN IEC 326 item 3 very fine

Ø 1.6 ^{+0.1} Fixierloch
Ø 1.6 ^{+0.1} fixing hole

Ø 1.3 ^{+0.1} Anschlussloch
Ø 1.3 ^{+0.1} component hole



Aufschrift
marking

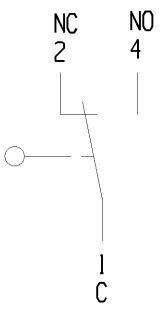
MARQUARDT 1045/48

1A 250V AC
IE5 US LISTED

Herstellort/-jahr/-monat/-tag
Code of manufacture:
place/year/month/day

Auf Verpackung/ on box: G

US LISTED



Wechsler 1-polig
Kontakte vergoldet
single pole changeover
contacts gold plated

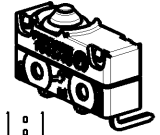
Schaltbetaetigungskraft ≤ 1.9 N
actuating force

Rueckschaltkraft ≥ 0.5 N
release force

Differenzweg ≤ 0.2 mm
movement differential

IP Schutzklasse nach EN 60529 IP 67
protection class acc to EN 60529

G: Konform nach IEC 60335-1:2001 Kap. 30
G: matching IEC 60335-1:2001 clause 30



-	-	-	1045.3151-XX																											
Figure	Type	Customer No.	Art.No.-PI																											
Shape and location	Angle $\pm 2^\circ$	Sheet 01	Ident. K																											
	Edge tolerance			Document number 10453151																										
	<table border="1"> <thead> <tr> <th colspan="2">Length</th> <th colspan="2">Radii</th> </tr> </thead> <tbody> <tr> <td>0-6</td> <td>± 0.1</td> <td>0-6</td> <td>± 0.2</td> </tr> <tr> <td>>6-15</td> <td>± 0.15</td> <td>>6-15</td> <td>± 0.3</td> </tr> <tr> <td>>15-30</td> <td>± 0.2</td> <td>>15-30</td> <td>± 0.5</td> </tr> <tr> <td>>30-70</td> <td>± 0.3</td> <td>>30-200</td> <td>$\pm 10\%$</td> </tr> <tr> <td>>70-120</td> <td>± 0.4</td> <td></td> <td></td> </tr> <tr> <td>>120-200</td> <td>± 0.8</td> <td></td> <td></td> </tr> </tbody> </table>	Length		Radii		0-6	± 0.1	0-6	± 0.2	>6-15	± 0.15	>6-15	± 0.3	>15-30	± 0.2	>15-30	± 0.5	>30-70	± 0.3	>30-200	$\pm 10\%$	>70-120	± 0.4			>120-200	± 0.8			Index d
		Length		Radii																										
0-6	± 0.1	0-6	± 0.2																											
>6-15	± 0.15	>6-15	± 0.3																											
>15-30	± 0.2	>15-30	± 0.5																											
>30-70	± 0.3	>30-200	$\pm 10\%$																											
>70-120	± 0.4																													
>120-200	± 0.8																													
d	136255	2021-02-18	HHE																											
c	130794	2020-03-02	HHE																											
b	126682	2019-09-02	LEK																											
a	83090	2013-03-11	BRC																											
Index	MEC-No.	Date (YYYY-MM-DD)	Edited by																											

MARQUARDT