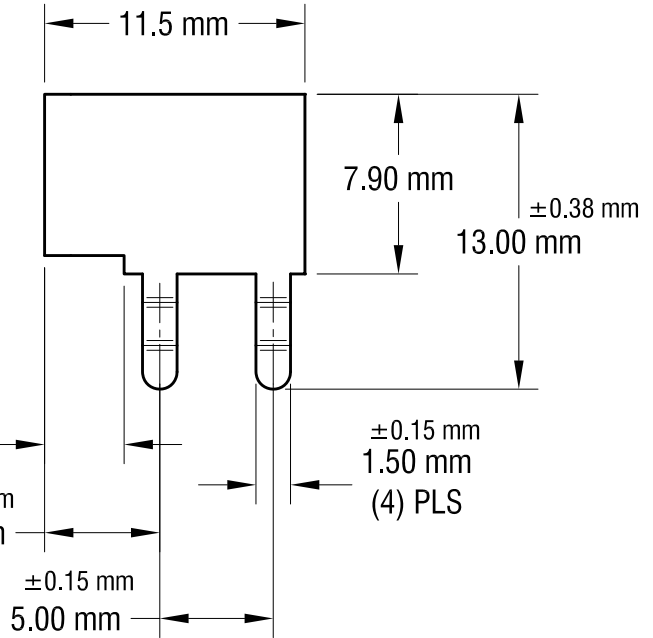
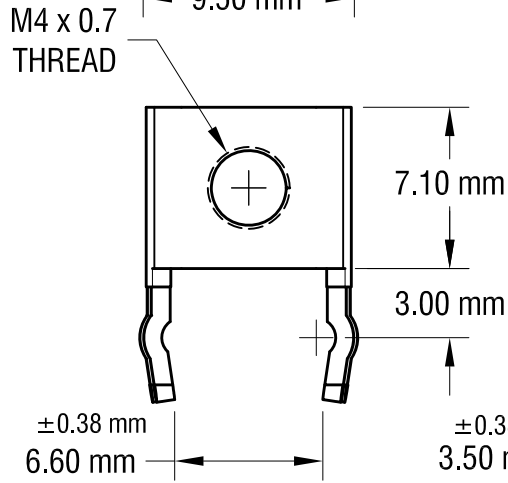
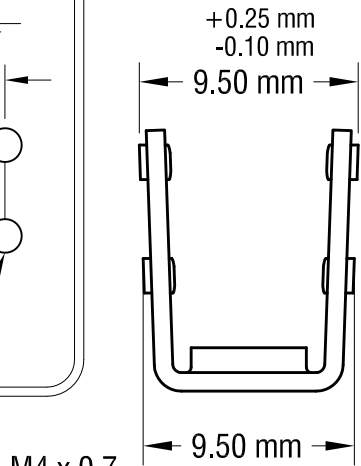
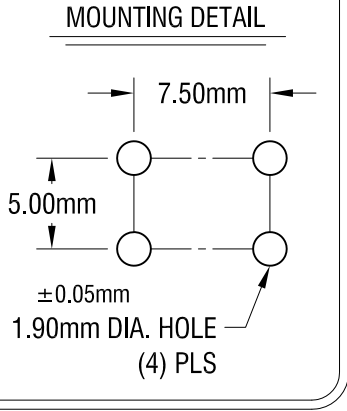
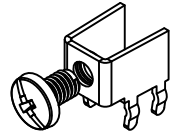


THIS DOCUMENT IS THE PROPERTY OF KEYSTONE ELECTRONICS CORP. AND SHALL NOT BE REPRODUCED, DISTRIBUTED OR USED AS A BASIS FOR MANUFACTURE WITHOUT PRIOR WRITTEN PERMISSION FROM KEYSTONE ELECTRONICS CORP.

ACTUAL SIZE



NOTE:

1. TERMINAL:

MAT'L - 0.81mm TH'K BRASS, TIN PLATE

SCREW : ONE (1) M4 x 0.7 x 6.35mm L.
(SUPPLIED LOOSE)

MAT'L - BRASS, NICKEL PLATE

2. ALL DIMENSIONS ARE IN MILLIMETERS.

PC SCREW TERMINAL WITH COLORED SCREW HEAD

PART NO.	HEAD COLOR	PART NO.	HEAD COLOR
7793-2	RED	7793-5	BLUE
7793-3	BLACK	7793-6	GREEN
7793-4	WHITE	7793-7	YELLOW

KEYSTONE ELECTRONICS CORP.

www.keyelco.com • ASTORIA, N.Y. 11105-2017 • Tel (718) 956-8900

PART NAME

PC METRIC SCREW TERMINAL

MATERIAL

AS NOTED

FINISH

AS NOTED

DRN BY

NT

DATE

6.03.15

APP'D

LN

SCALE

3X

TOLERANCES

INCH

[MM]

CODE

DWG NO.

DECIMAL

±

[± 0.25]

C

ANGULAR

± 1°

UNLESS OTHERWISE SPECIFIED

7793-2 - 7793-7

DATE	DESCRIPTION	REV.