

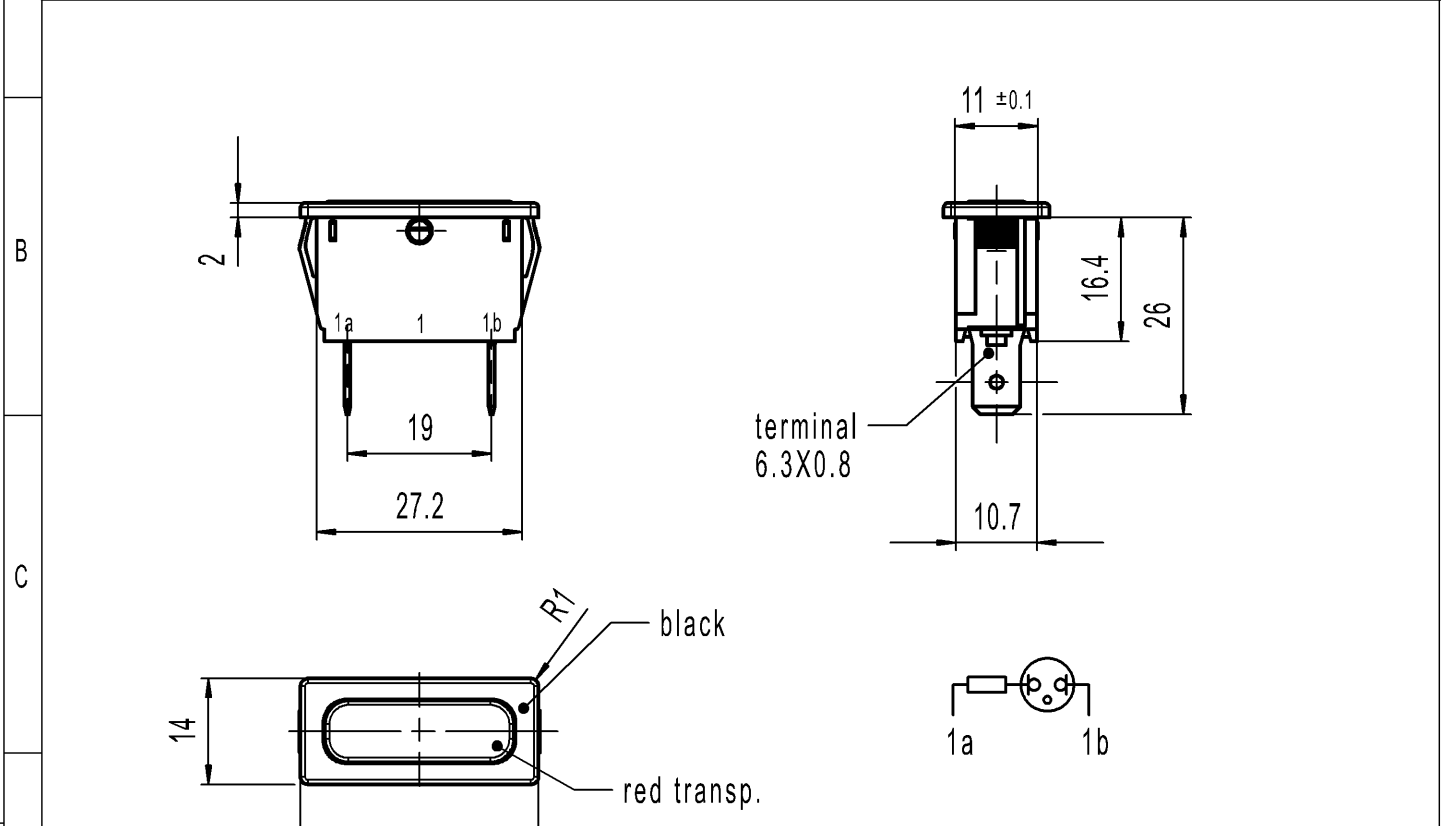
CONFIDENTIAL

VERTRAULICH

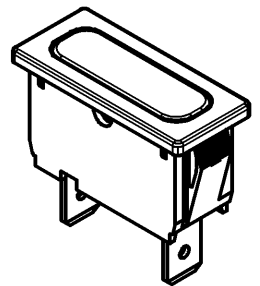
THIS DRAWING IS THE EXCLUSIVE PROPERTY OF MARQUARDT. WITHOUT THEIR CONSENT IT MAY NOT BE REPRODUCED OR GIVEN TO THIRD PARTIES.

Alle Rechte bei Marquardt, auch fuer den Fall von Schutzrechtsanmeldungen. Jede Veruegungsbefugnis, wie Kopier- und Weitergaberecht, bei uns.

A	recommended cut-out for snap-in fixing (edge opposite to snap-in direction)	1	2	3	4
			wall thickness	length of cut-out	width of cut-out
		0.75 to 1.25	30 -0.1	11+0.1	
		1.25 to 2	30.2 -0.1	11+0.1	
		2 to 3	30.6 -0.1	11+0.1	



Pilot Light  
Neon lamp with Rv for 230 V AC  
Suitable for appliances of class II



**Marking**  
 1837.  
 230V ~ T 100°C

Code of manufacture: place/year/week

-	-	-	1837.3102-XX
Figure	Type	Customer Part No.	Art.No.-PI
Shape and location	Angle ± 2°	Sheet 01	Ident. K
	Edge tolerance	Format DIN A4	Document number 18373102
 	Length	Projection	Index c
	Radii	Scale 1:1	
		All dimensions are in millimetres	Pilot light
c	141194	2022-05-12	
b	69573	2010-07-28	
a	22680	1994-02-25	
Index	MEC-No.	Date (YYYY-MM-DD)	
		JOSHIO	System NX V1899
		HHE	Replacement of
		GRH	Zg.gl.Nr.v.25.02.1994
		Edited by	