

REV.	DESCRIPTION	DRAWN	DATE
1	INITIAL RELEASE	TIM	2024/02/29

Notes:

Electrical Specifications:

- Inductance At 100 KHz, 100 mV 8mADC Bias: 180 uH Min.
- Insertion Loss: -1.0 dB Max. @ 1-125 MHz
- Return Loss: -17dB Min. @ 1-40MHz
-12dB Min. @ 40-80MHz
-11dB Min. @ 80-100MHz
-10 dB Min. @ 100-125MHz
- Cross Talk: 1-100MHz -30dB Min.
100-125MHz -27.5dB Min.
- Common Mode Rejection: -30dB Min. @ 1-125MHz
- Isolation Voltage: 2250Vrms / 60 Seconds
- Voltage Rating: 57VDC MAX.
- Current Rating: 720mADC MAX.
- Turns Ratio:@100KHz,0.1V: 1:1±2%

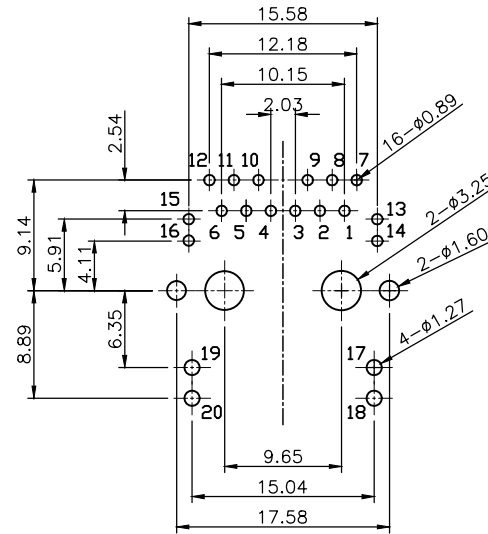
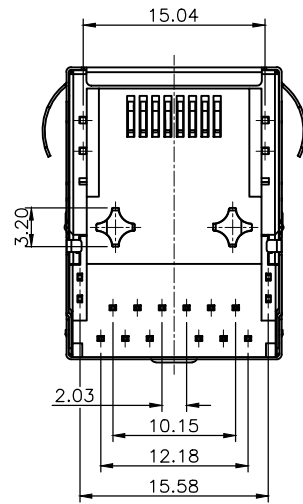
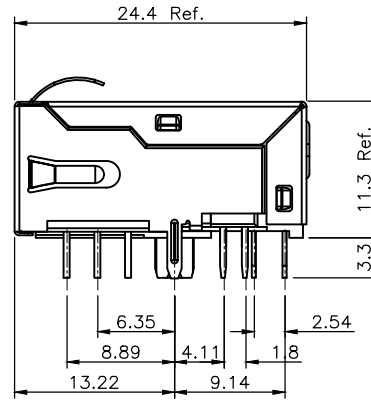
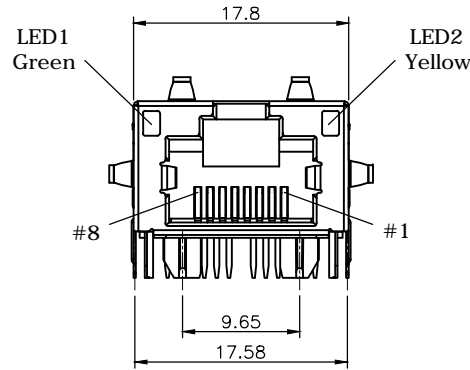
Mechanical:

- Operating Life : 750 Cycles Min.

Environmental:

- Storage: -40°C TO +85°C.
- Operation: -40°C TO +85°C.
- Soldering Temperature:255~265°C (5~10 Seconds)

Mates With Modular Plug Conforming To TIA-1096-A
Designed to exceed IEEE802.3.bt with up to 60W



RECOMMENDED LAYOUT (TOP VIEW)
GENERAL TOLERANCE: ±0.05mm

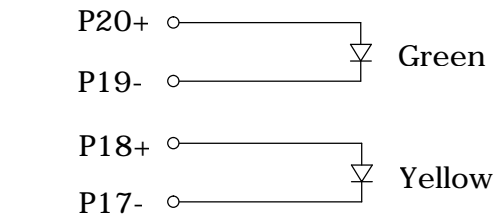
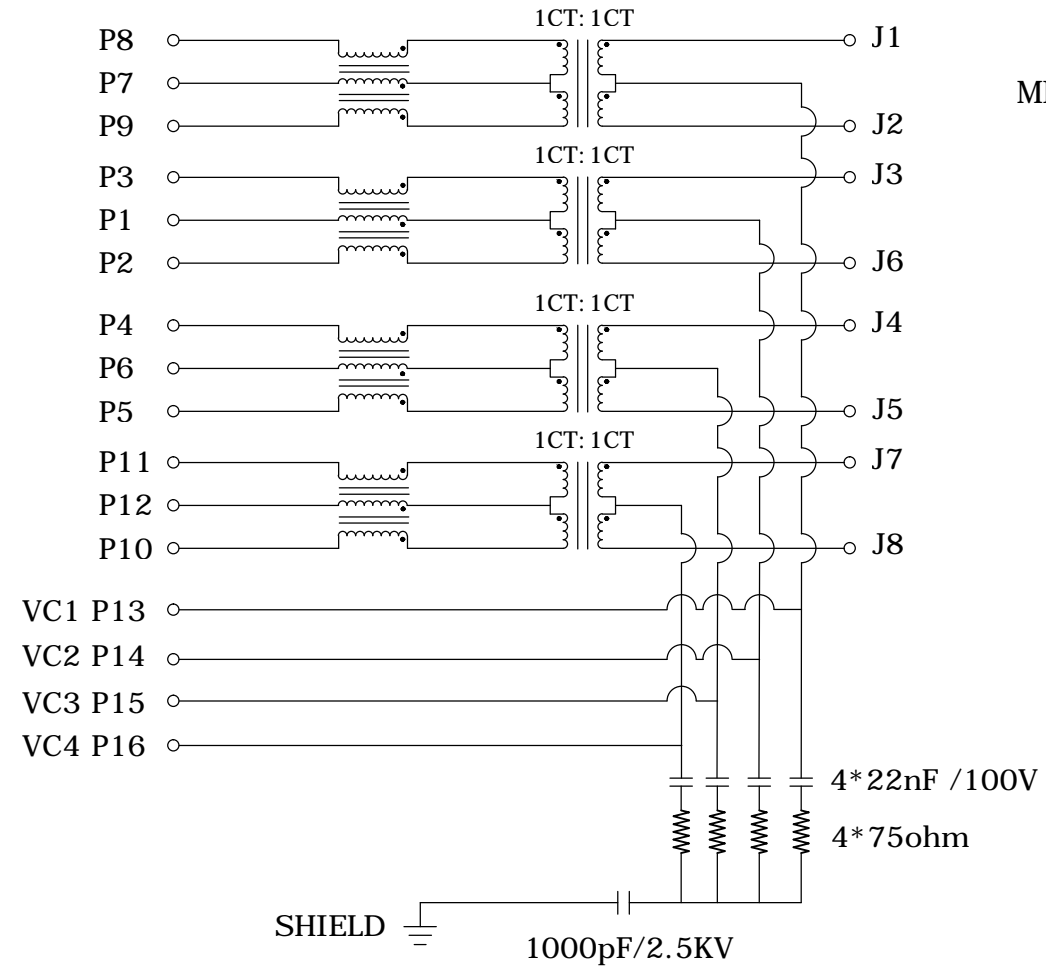
3	SHELL	Brass 0.2t, Nickel plating					
2	CONTACT	Phosphor Bronze 0.35t,					
		Contact area: 30u" Gold plating over Nickel Solder Tail: Tin plating over Nickel					
1	HOUSING	LCP, UL94V-0, Black					
UNLESS OTHERWISE SPECIFIED TOLERANCE							
UNIT:	DECIMAL	LINEAR	ANGLES				
mm	X.	±0.50	±5°				
	X.X	±0.25	±3°				
	X.XX	±0.15	±1°				
www.attend.com.tw							
DRAWN	Tim	2024/02/29	DRAWN NAME:				
CHECKED	Fros	2024/02/29	RJ45 PoE++ Type3 Jack, 1x1 Port, R/A Latch UP w/LED, 57V 720mA, 30u", 2.5G BASE-T				
APPROVED	Ken	2024/02/29	PRODUCT NO. 214A-R333				
SCALE	1.6/1	SHEET	1/2	SIZE	A4	FILE NAME	214A-R333_B_1



REV.	DESCRIPTION	DRAWN	DATE
	SEE SHEET ONE		

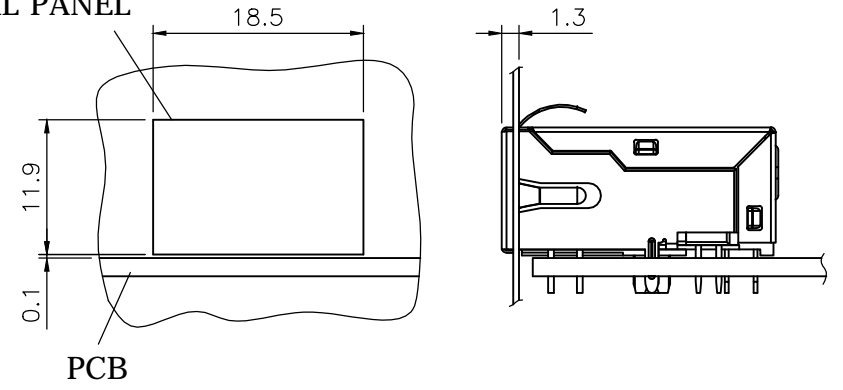
CONNECTOR SOLDER SIDE

RJ45 CONTACT SIDE

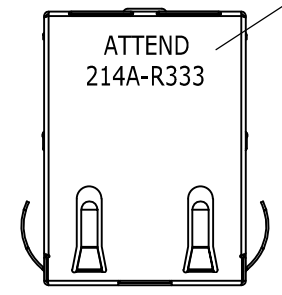


CONNECTOR SCHEMATIC


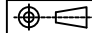
METAL PANEL



Recommended Panel Cutout



MARKING:
ATTEND: Logo
214A-R333: Part Number

UNLESS OTHERWISE SPECIFIED TOLERANCE				 www.attend.com.tw				
UNIT:	DECIMAL	LINEAR	ANGLES			DRAWN NAME: RJ45 PoE++ Type3 Jack, 1x1 Port, R/A Latch UP w/LED, 57V 720mA, 30u", 2.5G BASE-T		
mm	X.	±0.50	±5°					
	X.X	±0.25	±3°					
	X.XX	±0.15	±1°					
DRAWN	Tim	2024/02/29	DRAWN NAME:					
CHECKED	Fros	2024/02/29	DRAWN NAME:					
APPROVED	Ken	2024/02/29	PRODUCT NO.	214A-R333				
	SCALE	1.6/1	SHEET	2/2	SIZE	A4	FILE NAME	214A-R333_B_1