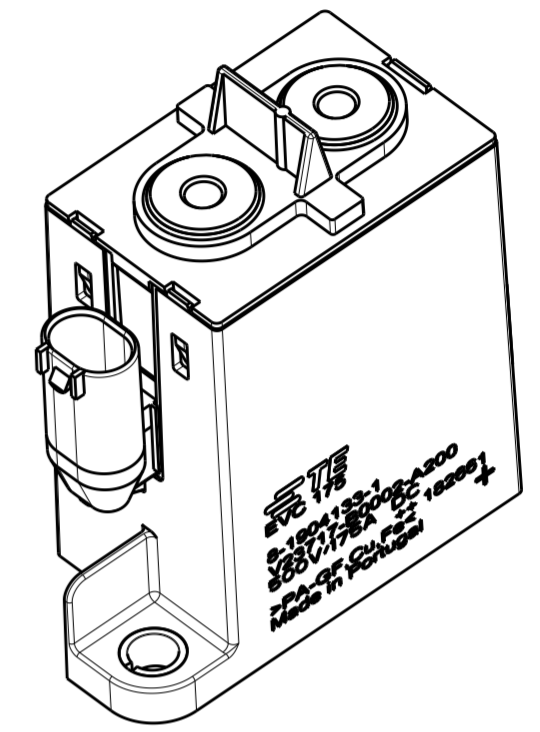
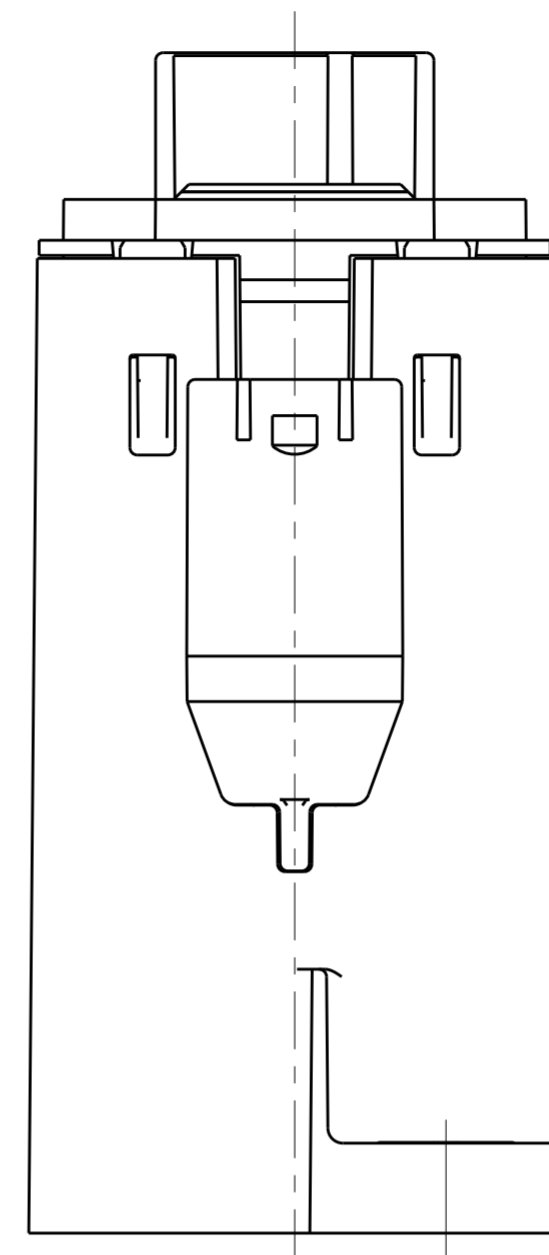
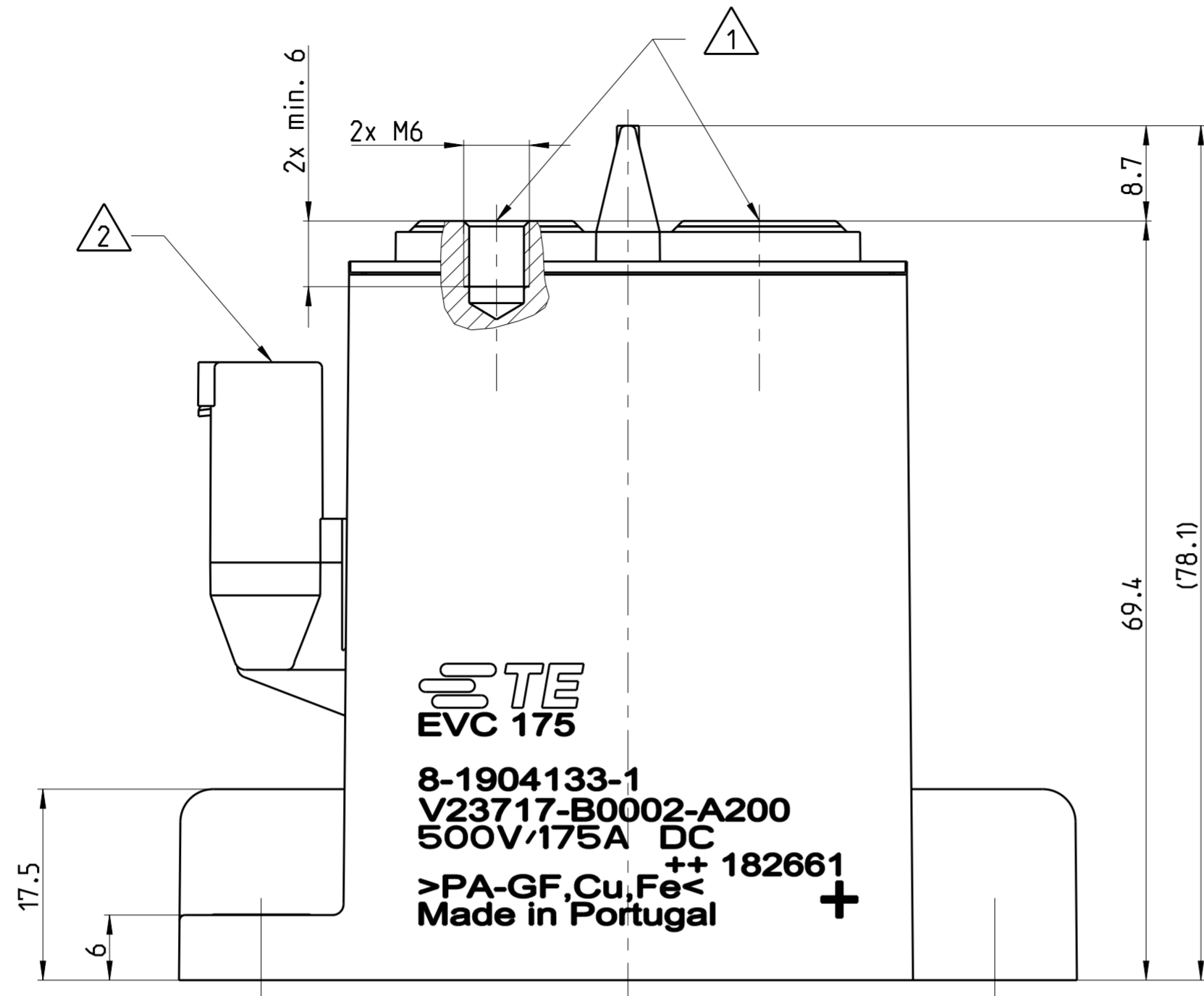
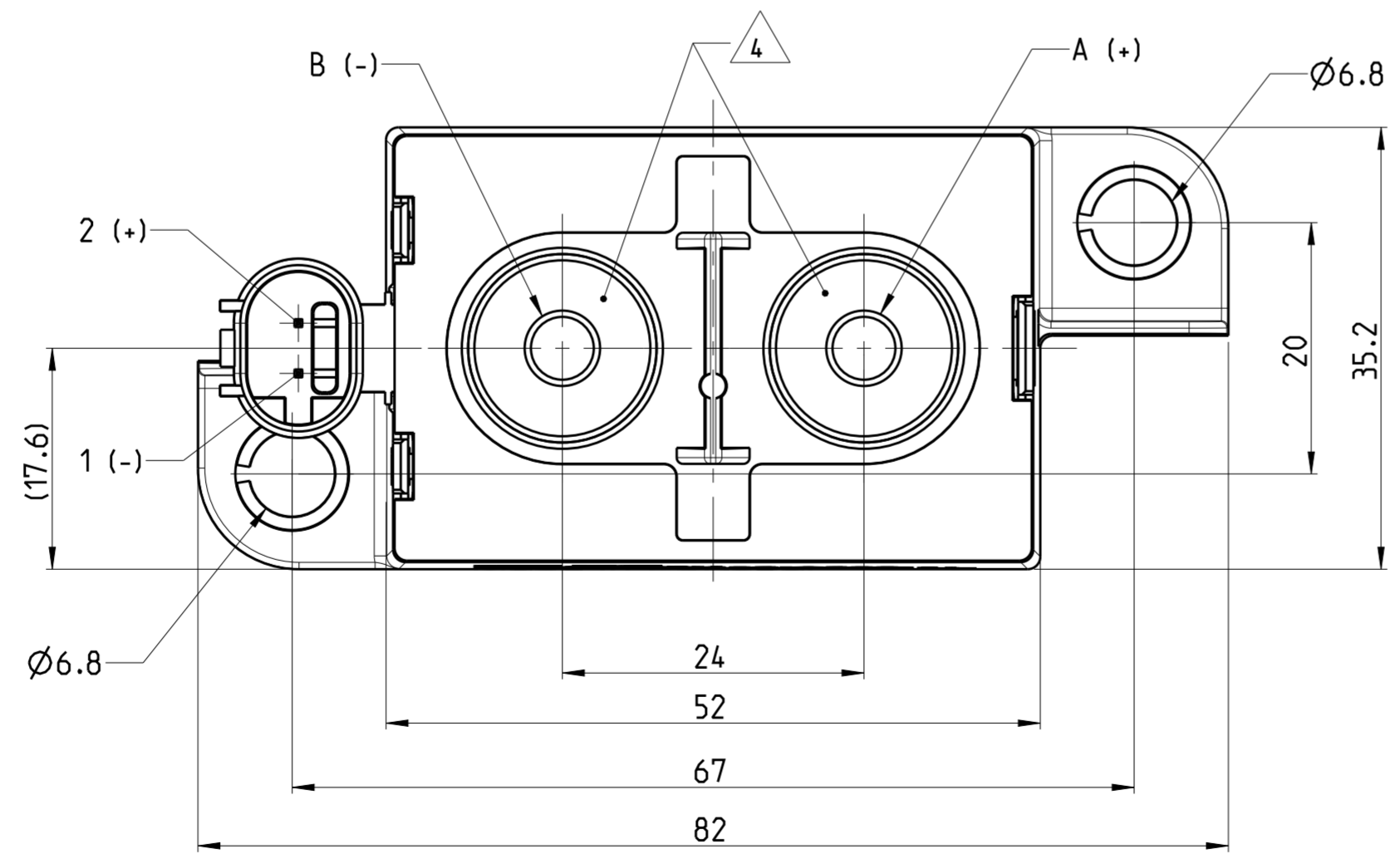
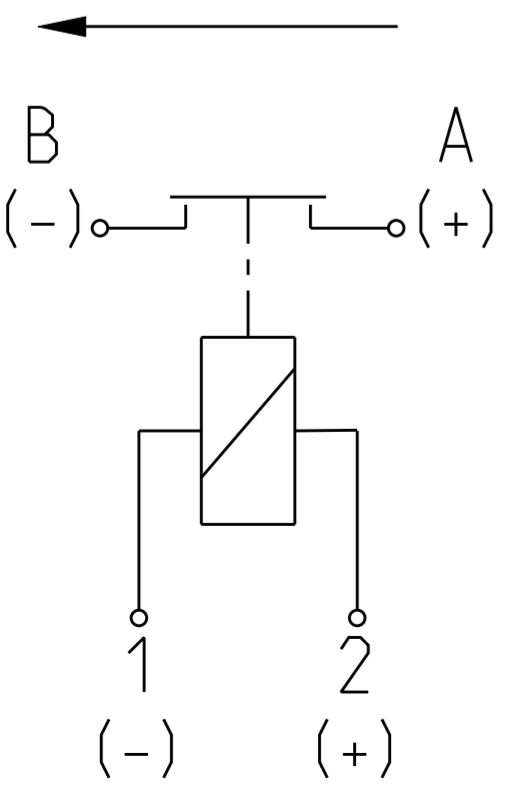


REVISIONS					
P	LTR	DESCRIPTION	DATE	DWN	APVD
B1		ECO-18-012948	16AUG2018	UGAB	THAE



FORWARD LOAD CURRENT DIRECTION



- Notice:
- 1 Permitted Torque max. 5 Nm
 - 2 Socket Housing
TE Interface 2 Pos. MQS Code A,
appropriate for Socket Housing 2 Pos. MQS.
TE PART NO. 1-967644-1
 - 3 Tolerances ISO8015 / ISO2768-cl
 - 4 Plating Sn

8-1904133-1	B	V23717-B0002-A200
TCPN	REV	PART ALIAS

THIS DRAWING IS A CONTROLLED DOCUMENT.		DWN Th.Hähnel 2018-08-16	8-1904133-1		B		V23717-B0002-A200		
		CHK R.Wagner 2018-08-16	TCPN		REV		PART ALIAS		
		APVD R.Wagner 2018-08-16	A2		---		C-8-1904133-1		
DIMENSIONS: mm		TOLERANCES UNLESS OTHERWISE SPECIFIED:		PRODUCT SPEC		NAME		RESTRICTED TO	
		0 PLC ± 3		-		V23717-B0002-A200			
		1 PLC ±		APPLICATION SPEC		EVC 175 Bottom Mount			
		2 PLC ±		-		-			
		3 PLC ±		WEIGHT		295g			
		4 PLC ±		SCALE		2:1		SHEET 1 OF 1	
		ANGLES ±		RESTRICTED CUSTOMER				REV B1	
		FINISH							