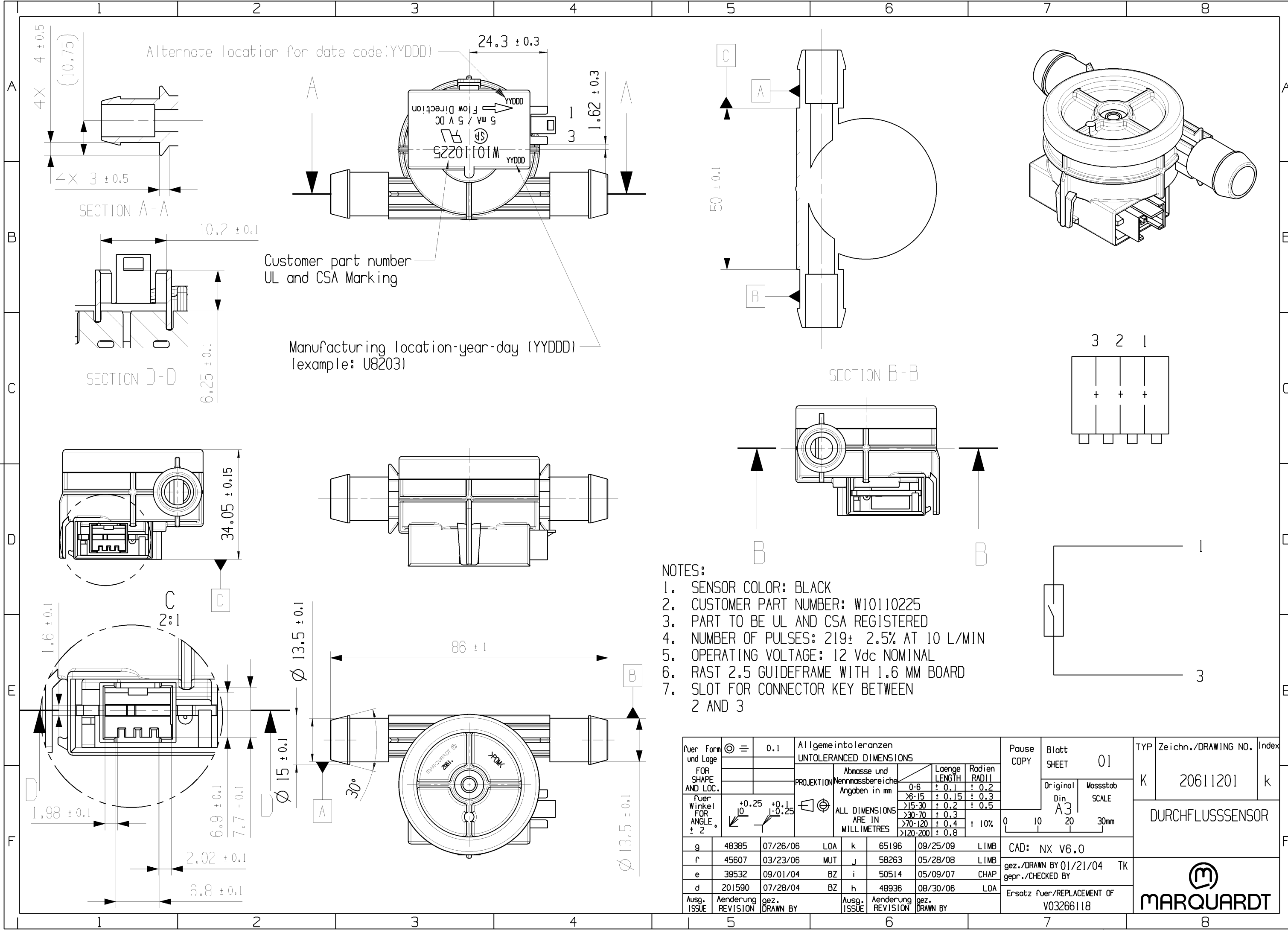


© THIS DRAWING IS THE EXCLUSIVE PROPERTY OF MARQUARDT. WITHOUT THEIR CONSENT IT MAY NOT BE REPRODUCED OR GIVEN TO THIRD PARTIES.

CONFIDENTIAL

VERTRAULICH

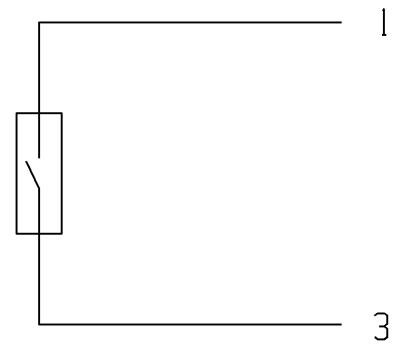
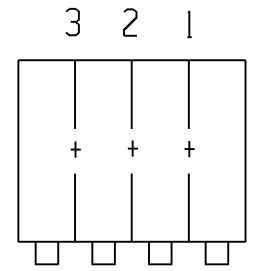
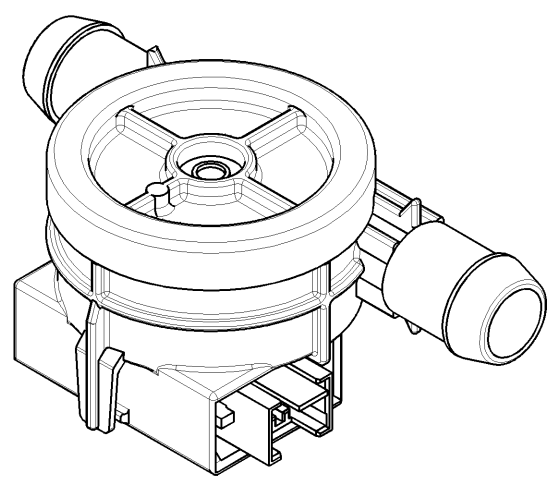
© Alle Rechte bei Marquardt, auch fuer den Fall von Schutzrechtsmelungen. Jede Veruegungsbezugnis, wie Kopier- und Weitergaberecht, bei uns.



Customer part number
UL and CSA Marking

Manufacturing location-year-day (YYDD)
(example: U8203)

- NOTES:
1. SENSOR COLOR: BLACK
 2. CUSTOMER PART NUMBER: W10110225
 3. PART TO BE UL AND CSA REGISTERED
 4. NUMBER OF PULSES: 219± 2.5% AT 10 L/MIN
 5. OPERATING VOLTAGE: 12 Vdc NOMINAL
 6. RAST 2.5 GUIDEFRAME WITH 1.6 MM BOARD
 7. SLOT FOR CONNECTOR KEY BETWEEN 2 AND 3



fuer Form und Lage FOR SHAPE AND LOC.	⊙	≡	0.1	Allgemeintoleranzen UNTOLERANCED DIMENSIONS				Pause COPY	Blatt SHEET 01		TYP	Zeichn./DRAWING NO.	Index
	PROJEKTION			Abmasse und Nennmassbereiche Angaben in mm	Laenge LENGTH	Radien RADII	Original		Masstab SCALE	K	20611201	k	
fuer Winkel FOR ANGLE	± 2	↙ ↘	+0.25 -0.1	ALL DIMENSIONS ARE IN MILLIMETRES	0-6 ± 0.1	6-15 ± 0.15	15-30 ± 0.2	Din A3	0 10 20 30mm	DURCHFLUSSSENSOR			
g	48385	07/26/06	LOA	k	65196	09/25/09	LIMB	CAD: NX V6.0		MARQUARDT			
r	45607	03/23/06	MUT	J	58263	05/28/08	LIMB	gez./DRAWN BY 01/21/04 TK					
e	39532	09/01/04	BZ	i	50514	05/09/07	CHAP	gepr./CHECKED BY		Ersatz fuer/REPLACEMENT OF V03266118			
d	201590	07/28/04	BZ	h	48936	08/30/06	LOA						
Ausg. ISSUE	Aenderung REVISION	gez. DRAWN BY		Ausg. ISSUE	Aenderung REVISION	gez. DRAWN BY							