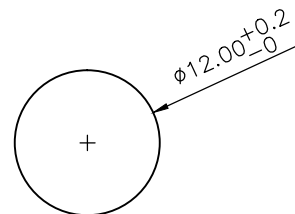
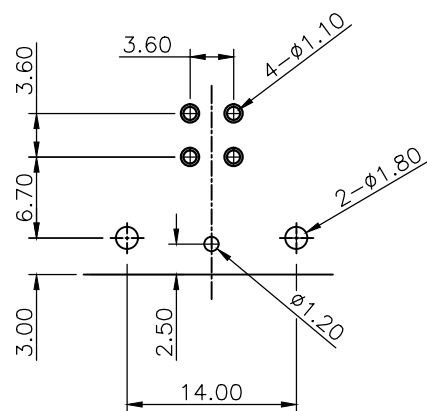
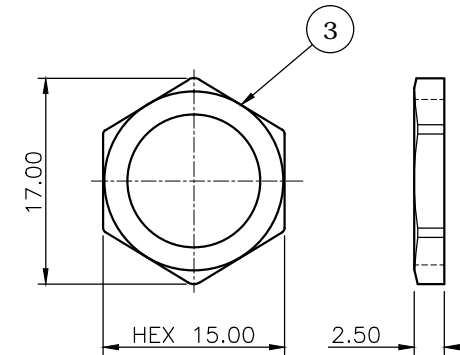
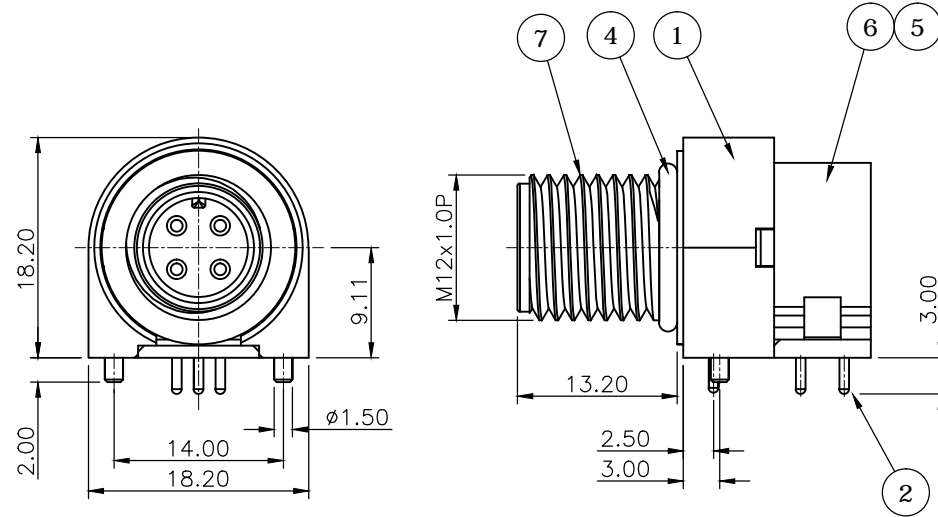


REV.	DESCRIPTION	DRAWN	DATE
1	INITIAL RELEASE	FROS	2017/06/19
2	ECR220421001	TIM	2022/04/21

SPECIFICATION:

1. Current Rating: 4A
2. Voltage Rating: 250V
3. Water proof: IPX7
4. Operating temperature range: -40°C~+85°C



RECOMMENDED LAYOUT (TOP VIEW)
GENERAL TOLERANCE: ±0.05

PANEL CUT OUT

7	SHELL	Brass, Nickel plating
6	BASE	PBT, UL94V-0, Black
5	BACK HOUSING	PBT, UL94V-0, Black
4	O-RING	EPDM, Black
3	NUT	Brass, Nickel plating
2	CONTACT	Brass, Gold plating over Nickel
1	COVER	PBT, UL94V-0, Black

NO.		PART NAME		DESCRIPTION	
UNLESS OTHERWISE SPECIFIED TOLERANCE					
UNIT:	DECIMAL	LINEAR	ANGLES		
	X.	±0.50	±5°		
	X.X	±0.25	±3°		
	X.XX	±0.12	±1°		
WWW.ATTEND.COM.TW					
DRAWN	Fros	2017/06/19	DRAWN NAME:		
CHECKED	Tim	2017/06/19	M12 A- Code Receptacle, 4Pin Male R/A DIP Front Fastened		
APPROVED	Ken	2017/06/19	PRODUCT NO.	216A-04MRF	
SCALE	1.6	SHEET	1/1	SIZE	A4
			FILE NAME	216A-04MRF_B_2	

