

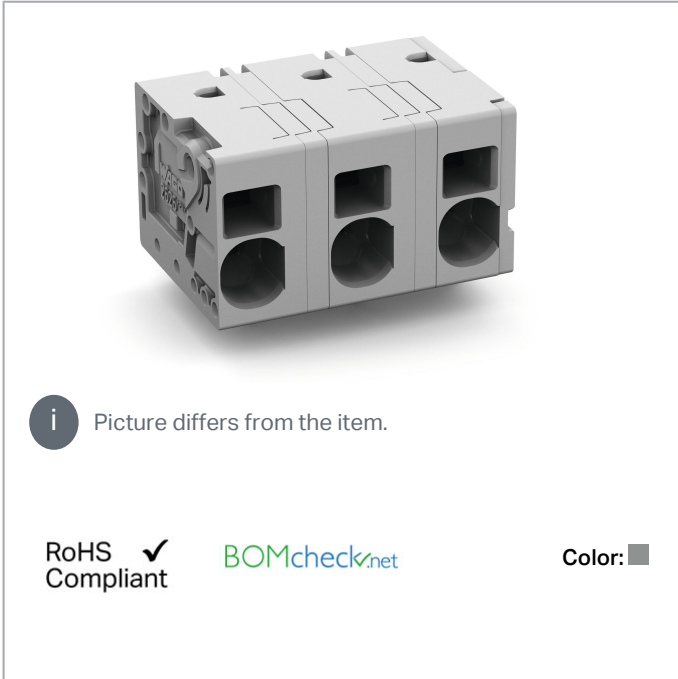
# Data sheet | Item number: 2626-1356

PCB terminal block; 6 mm<sup>2</sup>; Pin spacing 12.5 mm; 6-pole; Push-in CAGE

CLAMP®; 6,00 mm<sup>2</sup>; gray



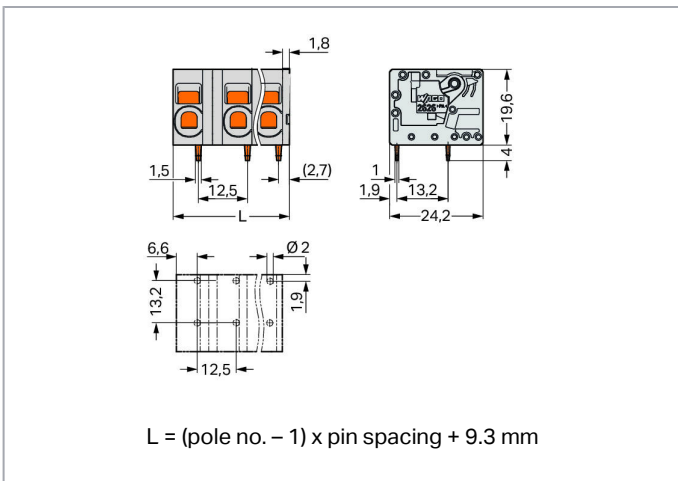
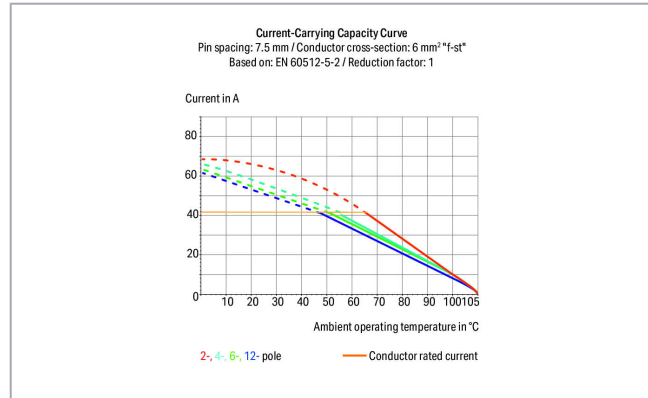
[www.wago.com/2626-1356](http://www.wago.com/2626-1356)



**i** Picture differs from the item.

RoHS Compliant

Color:



## Item description

- PCB terminal strips with Push-in CAGE CLAMP® connection
- Push-in termination of solid and ferruled conductors
- Ideal for panel feedthrough applications via operation parallel to conductor entry

Subject to changes. Please also observe the further product documentation!

WAGO Kontakttechnik GmbH & Co. KG

Hansastr. 27

32423 Minden

Phone: +49571 887-0 | Fax: +49571 887-169

Email: [info.de@wago.com](mailto:info.de@wago.com) | Web: [www.wago.com](http://www.wago.com)

Do you have any questions about our products?

We are always happy to take your call at +49 (571) 887-44222.

- Testing can be performed both parallel and perpendicular to conductor entry

## Data

### Electrical data

#### Ratings per IEC/EN

| Ratings per                 | IEC/EN 60664-1  |
|-----------------------------|---|
| Nominal voltage (III/3)     | 1000 V  |
| Rated surge voltage (III/3) | 8 kV  |
| Rated voltage (III/2)       | 1000 V  |
| Rated surge voltage (III/2) | 8 kV  |
| Nominal voltage (II/2)      | 1000 V  |
| Rated surge voltage (II/2)  | 8 kV  |
| Rated current               | 48 A  |
| Legend (ratings)            | (III / 2) $\hat{=}$ Overvoltage category III / Pollution degree 2 |

#### Ratings per UL

| Approvals per                  | UL 1059 |
|--------------------------------|---------|
| Rated voltage UL (Use Group B) | 600 V   |
| Rated current UL (Use Group B) | 38 A    |
| Rated voltage UL (Use Group C) | 600 V   |
| Rated current UL (Use Group C) | 38 A    |

#### Ratings per CSA

| Approvals per                   | CSA   |
|---------------------------------|-------|
| Rated voltage CSA (Use Group B) | 600 V |
| Rated current CSA (Use Group B) | 38 A  |
| Rated voltage CSA (Use Group C) | 600 V |
| Rated current CSA (Use Group C) | 38 A  |

### Connection data

|   |   |
|---|---|
| Connection technology                           | Push-in CAGE CLAMP®                       |
| Actuation type                                  | Operating tool                            |
| Solid conductor                                 | 0.2 ... 10 mm <sup>2</sup> / 24 ... 8 AWG |
| Fine-stranded conductor                         | 0.2 ... 10 mm <sup>2</sup> / 24 ... 8 AWG |
| Fine-stranded conductor; with insulated ferrule | 0.25 ... 6 mm <sup>2</sup>                |

Subject to changes. Please also observe the further product documentation!



|   |                                   |
|---|-----------------------------------|
| Fine-stranded conductor; with uninsulated ferrule | 0.25 ... 6 mm <sup>2</sup>        |
| Fine-stranded conductor; with twin ferrule        | 0.25 ... 2.5 mm <sup>2</sup>      |
| Strip length                                      | 13 ... 15 mm / 0.51 ... 0.59 inch |
| Conductor connection direction to PCB             | 0°                                |
| Pole No.  | 6                                 |
| Total number of connection points                 | 6                                 |
| Total number of potentials                        | 6                                 |
| Number of connection types                        | 1                                 |
| Number of levels                                  | 1                                 |

### Physical data

|                                      |                        |
|--------------------------------------|------------------------|
| Pin spacing                          | 12.5 mm / 0.492 inch   |
| Width                                | 71.8 mm / 2.827 inch   |
| Height                               | 23.6 mm / 0.929 inch   |
| Height from the surface              | 19.6 mm / 0.772 inch   |
| Depth                                | 24.2 mm / 0.953 inch   |
| Solder pin length                    | 4 mm                   |
| Solder pin dimensions                | 1.5 x 1 mm             |
| Drilled hole diameter with tolerance | 2 <sup>(+0.1)</sup> mm |

### Mechanical data

|               |                       |
|---------------|-----------------------|
| Mounting type | Feed-through mounting |
|---------------|-----------------------|

### PCB contact

|                                     |  |
|-------------------------------------|--|
| PCB Contact                         | THT                                      |
| Solder pin arrangement              | over the entire terminal strip (in-line) |
| Number of solder pins per potential | 2  |

### Material data

|                             |  |
|-----------------------------|--|
| Color                       | gray                                   |
| Material group              | I                                      |
| Insulation material         | Polyamide (PA66)                       |
| Flammability class per UL94 | V0                                     |
| Clamping spring material    | Chrome nickel spring steel (CrNi)      |
| Contact material            | Electrolytic copper (E <sub>Cu</sub> ) |
| Contact plating             | tin-plated                             |

Subject to changes. Please also observe the further product documentation!

|        |        |
|--------|--------|
| Weight | 32.2 g |
|--------|--------|

### Environmental requirements



|                         |                 |
|-------------------------|-----------------|
| Limit temperature range | -60 ... +105 °C |
|-------------------------|-----------------|

### Commercial data

|                       |               |
|-----------------------|---------------|
| Packaging type        | BOX           |
| Country of origin     | PL            |
| GTIN                  | 4055143861670 |
| Customs tariff number | 85369010000   |

### Approvals / Certificates

#### Country specific Approvals

| Logo   | Approval                                     | Additional Approval Text | Certificate name |
|--|--|--------------------------|------------------|
|  | <b>CB</b><br>DEKRA Certification B.V.        | IEC 60947-7-4            | NL-64739         |
|   | <b>CSA</b><br>DEKRA Certification B.V.       | C22.2                    | 70146882         |
|  | <b>KEMA/KEUR</b><br>DEKRA Certification B.V. | EN 60947-7-4             | 71-<br>113203    |

### Downloads

#### Documentation

##### Additional Information

|                        |            |               |          |
|------------------------|------------|---------------|----------|
| Technical explanations | 3. 4. 2019 | pdf<br>2.0 MB | Download |
|------------------------|------------|---------------|----------|

### CAD/CAE-Data

#### PCB Design

|                                |     |          |
|--------------------------------|-----|----------|
| Symbol and Footprint 2626-1356 | URL | Download |
|--------------------------------|-----|----------|

Subject to changes. Please also observe the further product documentation!



CAX data for your PCB design, consisting of "schematic symbols and PCB footprints", allow easy integration of the WAGO component into your development environment.

**Supported formats:**

- Accel EDA 14 & 15
- Altium 6 to current version
- Cadence Allegro
- DesignSpark
- Eagle Libraries
- KiCad
- Mentor Graphics BoardStation
- Mentor Graphics Design Architect
- Mentor Graphics Design Expedition 99 and 2000
- OrCAD 9.X PCB and Capture
- PADS PowerPCB 3, 3.5, 4.X, and 5.X
- PADS PowerPCB and PowerLogic 3.0
- PCAD 2000, 2001, 2002, 2004, and 2006
- Pulsonix 8.5 or newer
- STL
- 3D STEP
- TARGET 3001!
- View Logic ViewDraw
- Quadcept
- Zuken CadStar 3 and 4
- Zuken CR-5000 and CR-8000

PCB Component Libraries (EDA), PCB CAD Library Ultra Librarian

---

**CAD data**

|                        |                     |                          |
|------------------------|---------------------|--------------------------|
| 2D/3D Models 2626-1356 | <a href="#">URL</a> | <a href="#">Download</a> |
|------------------------|---------------------|--------------------------|

---

**CAE data**

|                        |                     |                          |
|------------------------|---------------------|--------------------------|
| ZUKEN Portal 2626-1356 | <a href="#">URL</a> | <a href="#">Download</a> |
|------------------------|---------------------|--------------------------|

---

**Environmental Product Compliance**

**Compliance Search**

Environmental Product Compliance 2626-1356

Subject to changes. Please also observe the further product documentation!

---

WAGO Kontakttechnik GmbH & Co. KG  
Hansastr. 27  
32423 Minden  
Phone: +49571 887-0 | Fax: +49571 887-169  
Email: [info.de@wago.com](mailto:info.de@wago.com) | Web: [www.wago.com](http://www.wago.com)

Do you have any questions about our products?  
We are always happy to take your call at +49 (571) 887-44222.

Data sheet | Item number: 2626-1356

[www.wago.com/2626-1356](http://www.wago.com/2626-1356)



[URL](#)

[Download](#)

PCB terminal block; 6 mm<sup>2</sup>; Pin spacing 12.5 mm; 6-pole; Push-in CAGE CLAMP®; 6,00 mm<sup>2</sup>; gray

---

## Installation Notes

Subject to changes. Please also observe the further product documentation!

---

WAGO Kontakttechnik GmbH & Co. KG  
Hansastr. 27  
32423 Minden  
Phone: +49571 887-0 | Fax: +49571 887-169  
Email: [info.de@wago.com](mailto:info.de@wago.com) | Web: [www.wago.com](http://www.wago.com)

Do you have any questions about our products?  
We are always happy to take your call at +49 (571) 887-44222.