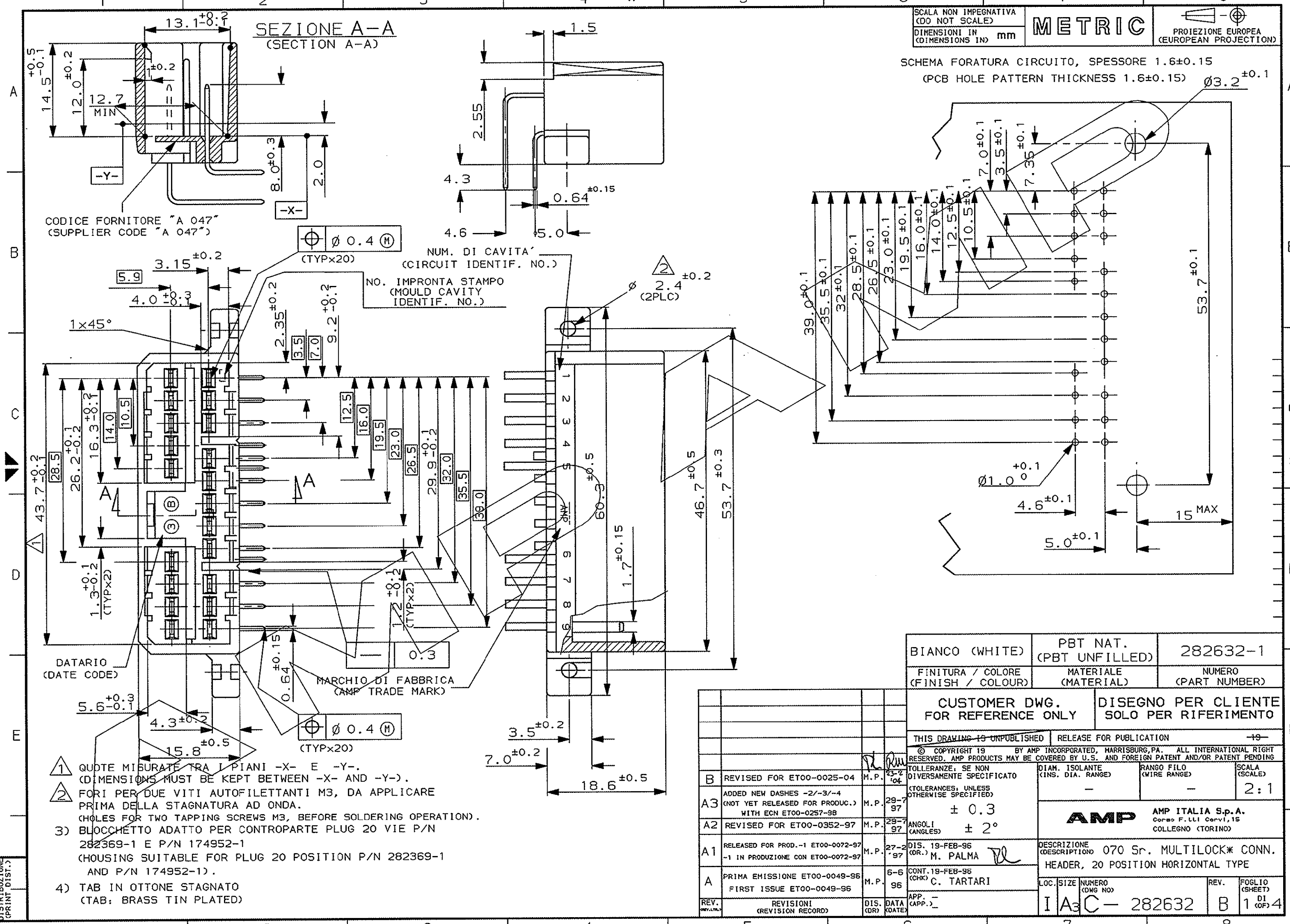


SCHEMA FORATURA CIRCUITO, SPESORE 1.6±0.15  
 (PCB HOLE PATTERN THICKNESS 1.6±0.15) Ø3.2 ±0.1



CODICE FORNITORE "A 047"  
 (SUPPLIER CODE "A 047")

Ø 0.4 (M)  
 (TYPx20)

NUM. DI CAVITA' (CIRCUIT IDENTIF. NO.)

NO. IMPRONTA STAMPO (MOULD CAVITY IDENTIF. NO.)

2.4 ±0.2  
 (2PLC)

DATARIO (DATE CODE)

MARCHIO DI FABBRICA (AMP TRADE MARK)

Ø 0.4 (M)  
 (TYPx20)

- 1) QUOTE MISURATE TRA I PIANI -X- E -Y-. (DIMENSIONS MUST BE KEPT BETWEEN -X- AND -Y-).
- 2) FORI PER DUE VITI AUTOFILETTANTI M3, DA APPLICARE PRIMA DELLA STAGNATURA AD ONDA. (HOLES FOR TWO TAPPING SCREWS M3, BEFORE SOLDERING OPERATION).
- 3) BLOCCHETTO ADATTO PER CONTROPARTE PLUG 20 VIE P/N 282369-1 E P/N 174952-1 (HOUSING SUITABLE FOR PLUG 20 POSITION P/N 282369-1 AND P/N 174952-1).
- 4) TAB IN OTTONE STAGNATO (TAB: BRASS TIN PLATED)

BIANCO (WHITE)	PBT NAT. (PBT UNFILLED)	282632-1
FINITURA / COLORE (FINISH / COLOUR)	MATERIALE (MATERIAL)	NUMERO (PART NUMBER)

CUSTOMER DWG. FOR REFERENCE ONLY  
 DISEGNO PER CLIENTE SOLO PER RIFERIMENTO

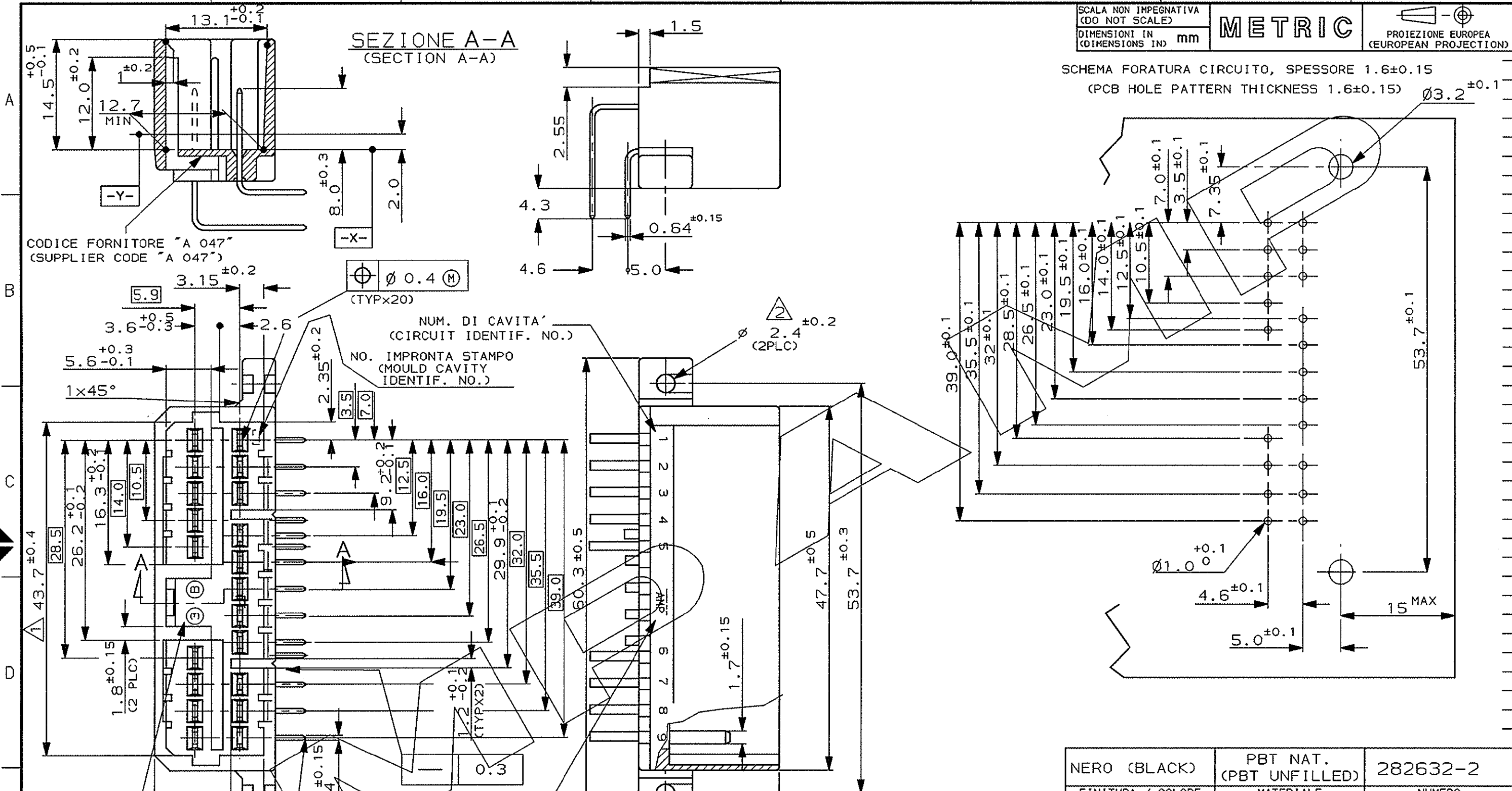
THIS DRAWING IS UNPUBLISHED  
 RELEASE FOR PUBLICATION

© COPYRIGHT 19 BY AMP INCORPORATED, HARRISBURG, PA. ALL INTERNATIONAL RIGHT RESERVED. AMP PRODUCTS MAY BE COVERED BY U.S. AND FOREIGN PATENT AND/OR PATENT PENDING

REV.	REVISIONI (REVISION RECORD)	DIS. (DR)	DATA (DATE)
B	REVISED FOR ET00-0025-04	M.P.	23-2 '04
A3	ADDED NEW DASHES -2/-3/-4 (NOT YET RELEASED FOR PRODU.) WITH ECN ET00-0257-98	M.P.	29-7 '97
A2	REVISED FOR ET00-0352-97	M.P.	29-7 '97
A1	RELEASED FOR PROD.-1 ET00-0072-97 -1 IN PRODUZIONE CON ET00-0072-97	M.P.	27-2 '97
A	PRIMA EMISSIONE ET00-0049-96 FIRST ISSUE ET00-0049-96	M.P.	6-6 '96

TOLLERANZE: SE NON DIVERSAMENTE SPECIFICATO (TOLERANCES, UNLESS OTHERWISE SPECIFIED)	DIAM. ISOLANTE (INS. DIA. RANGE)	RANGO FILO (WIRE RANGE)	SCALA (SCALE)
± 0.3	-	-	2:1
ANGOLI (ANGLES)	AMP ITALIA S.p.A. Corso F.lli Cervi, 15 COLLEGGNO (TORINO)		
DIS. (DR.)	DESCRIZIONE (DESCRIPTION) 070 Sr. MULTILOCK* CONN. HEADER, 20 POSITION HORIZONTAL TYPE		
APP. (APP.)	LOC. (LOC.)	SIZE (SIZE)	NUMERO (DWG NO.)
C. TARTARI	I A3 C	-	282632
	REV.	FOGLIO (SHEET)	
	B	1 DI (OF)	4

SCHEMA FORATURA CIRCUITO, SPESSORE 1.6±0.15  
 (PCB HOLE PATTERN THICKNESS 1.6±0.15)



CODICE FORNITORE "A 047"  
 (SUPPLIER CODE "A 047")

Ø 0.4 (M)  
 (TYPx20)

NUM. DI CAVITA' (CIRCUIT IDENTIF. NO.)  
 NO. IMPRONTA STAMPO (MOULD CAVITY IDENTIF. NO.)

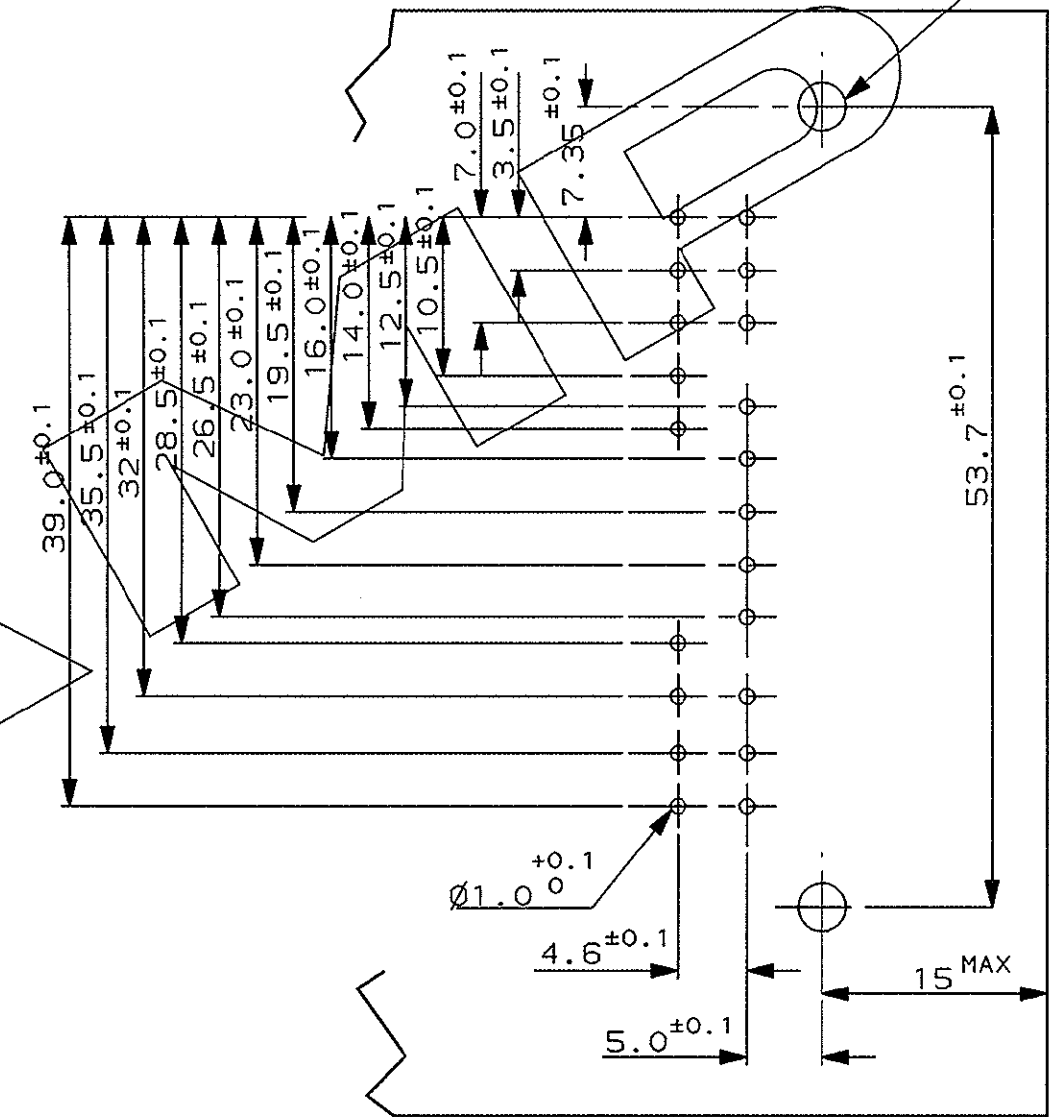
2  
 2.4 ±0.2  
 (2PLC)

DATARIO (DATE CODE)

MARCHIO DI FABBRICA (AMP TRADE MARK)

Ø 0.4 (M)  
 (TYPx20)

- 1) QUOTE MISURATE TRA I PIANI -X- E -Y-.  
 (DIMENSIONS MUST BE KEPT BETWEEN -X- AND -Y-).
- 2) FORI PER DUE VITI AUTOFILETTANTI M3, DA APPLICARE PRIMA DELLA STAGNATURA AD ONDA.  
 (HOLES FOR TWO TAPPING SCREWS M3, BEFORE SOLDERING OPERATION).
- 3) BLOCCHETTO ADATTO PER CONTROPARTE PLUG 20 VIE P/N 282369-2.  
 (HOUSING SUITABLE FOR PLUG 20 POSITION P/N 282369-2)
- 4) TAB IN OTTONE STAGNATO  
 (TAB: BRASS TIN PLATED)



NERO (BLACK)	PBT NAT. (PBT UNFILLED)	282632-2
FINITURA / COLORE (FINISH / COLOUR)	MATERIALE (MATERIAL)	NUMERO (PART NUMBER)

CUSTOMER DWG. FOR REFERENCE ONLY  
 DISEGNO PER CLIENTE SOLO PER RIFERIMENTO

THIS DRAWING IS UNPUBLISHED  
 RELEASE FOR PUBLICATION

© COPYRIGHT 19 BY AMP INCORPORATED, HARRISBURG, PA. ALL INTERNATIONAL RIGHT RESERVED. AMP PRODUCTS MAY BE COVERED BY U.S. AND FOREIGN PATENT AND/OR PATENT PENDING

TOLLERANZE, SE NON DIVERSAMENTE SPECIFICATO (TOLERANCES, UNLESS OTHERWISE SPECIFIED)	DIAM. ISOLANTE (INS. DIA. RANGE)	RANGO FILO (WIRE RANGE)	SCALA (SCALE)
± 0.3	-	-	2:1

ANGOLI (ANGLES) ± 2°

DIS. (DR.)  
 CONT. (CHK.)  
 DESCRIZIONE (DESCRIPTION) 070 Sr. MULTILOCK\* CONN. HEADER, 20 POSITION HORIZONTAL TYPE

REV. (REV.)	REVISIONI (REVISION RECORD)	DIS. (DR.)	DATA (DATE)	APP. (APP.)	LOC. (LOC.)	SIZE (SIZE)	NUMERO (DWG NO)	REV. (REV.)	FOGLIO (SHEET)
					I A3 C	-	282632	B	2 DI 4

SEE SHEET 1 OF 4

SCALA NON IMPEGNATIVA  
(DO NOT SCALE)  
DIMENSIONI IN mm  
(DIMENSIONS IN)

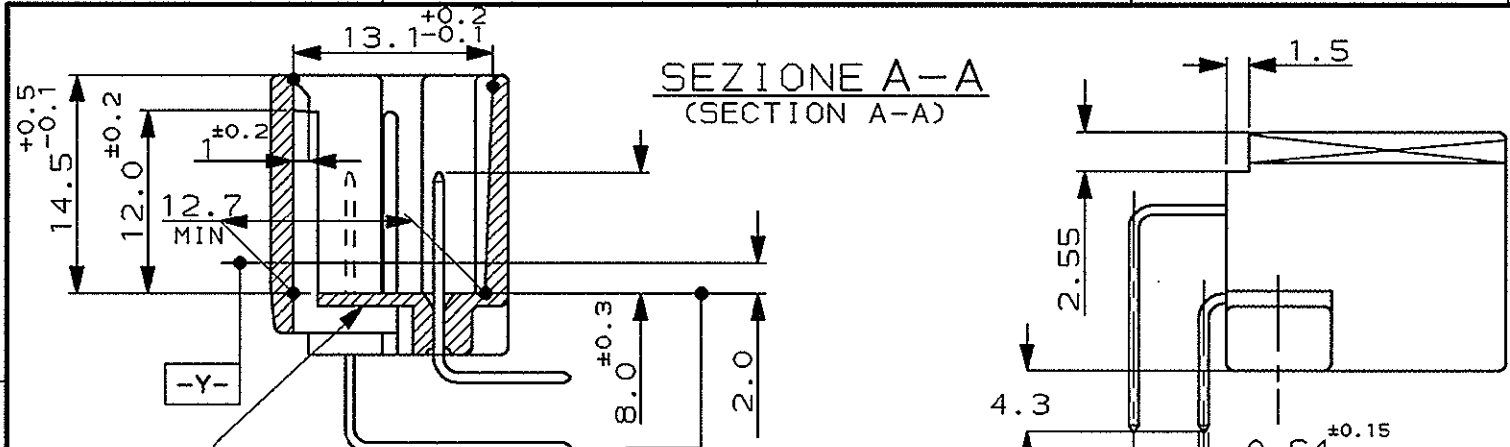
METRIC

PROIEZIONE EUROPEA  
(EUROPEAN PROJECTION)

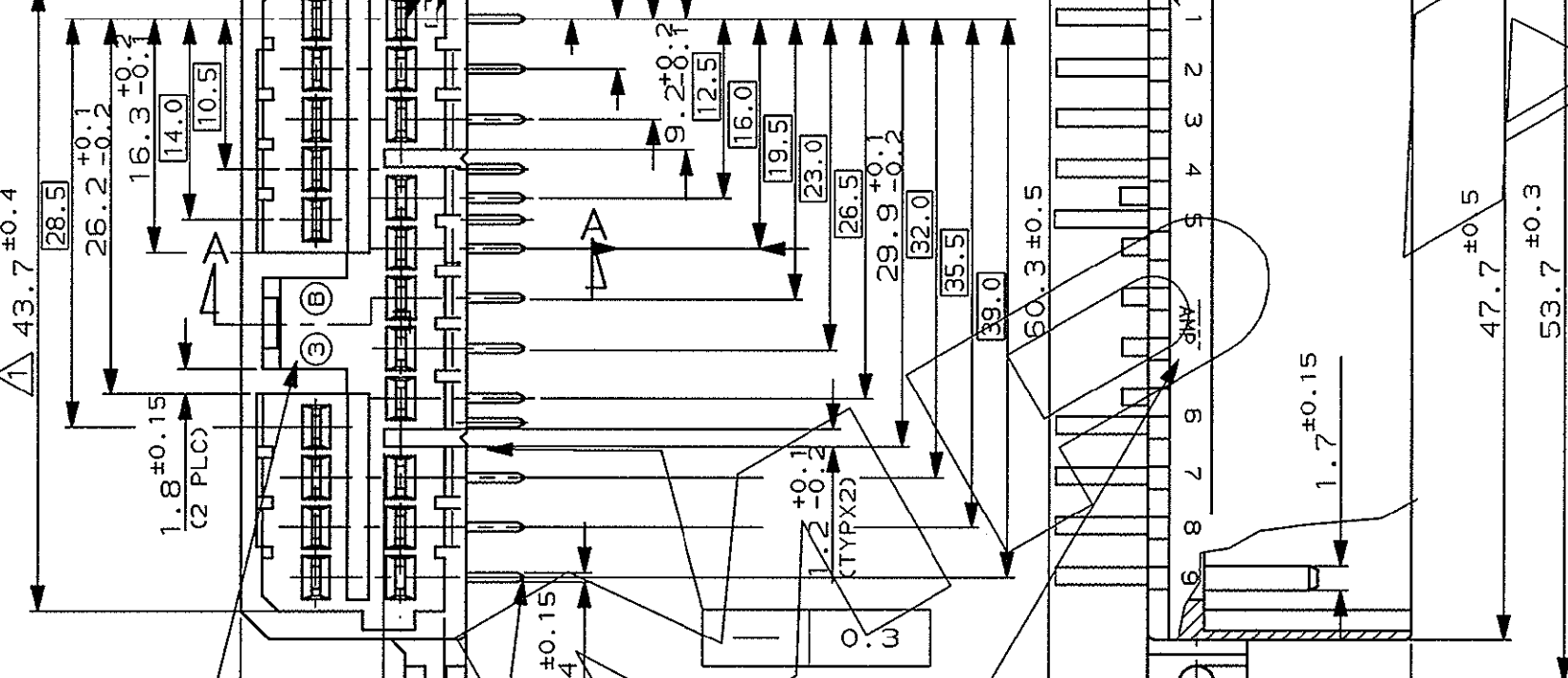
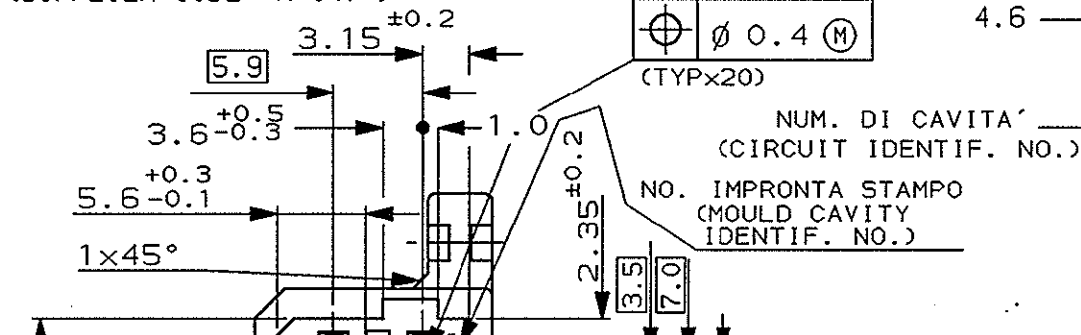
SCHEMA FORATURA CIRCUITO, SPESSORE 1.6±0.15  
(PCB HOLE PATTERN THICKNESS 1.6±0.15)

Ø3.2 ±0.1

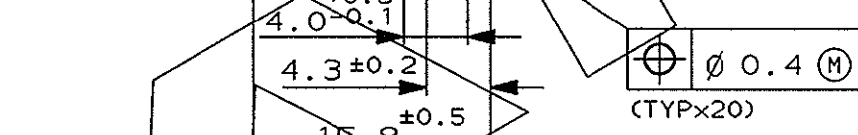
SEZIONE A-A  
(SECTION A-A)



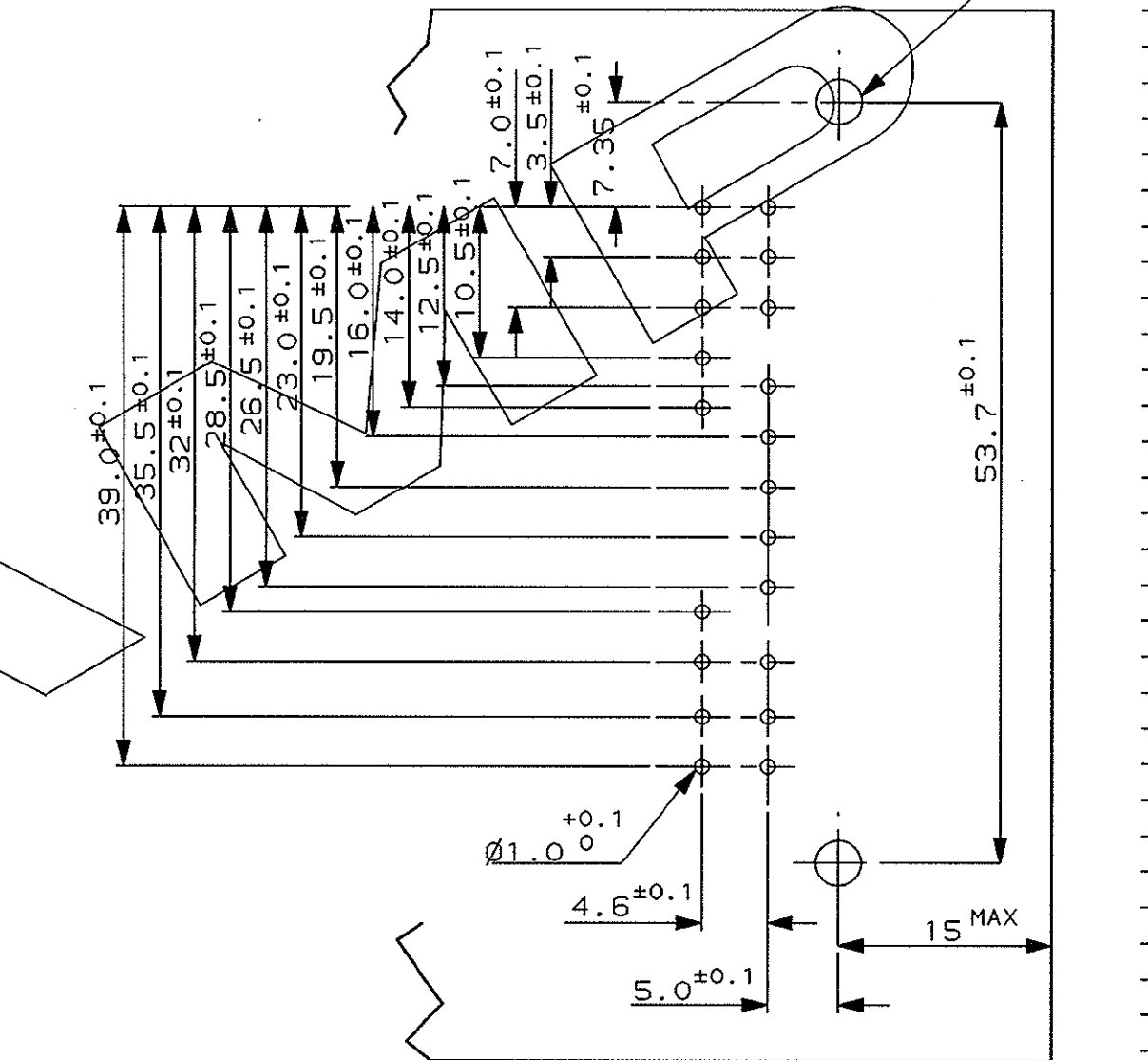
CODICE FORNITORE "A 047"  
(SUPPLIER CODE "A 047")



DATARIO (DATE CODE)



- 1) QUOTE MISURE TRA I PIANI -X- E -Y-  
(DIMENSIONS MUST BE KEPT BETWEEN -X- AND -Y-).
- 2) FORI PER DUE VITI AUTOFILETTANTI M3, DA APPLICARE PRIMA DELLA STAGNATURA AD ONDA.  
(HOLES FOR TWO TAPPING SCREWS M3, BEFORE SOLDERING OPERATION).
- 3) BLOCCHETTO ADATTO PER CONTROPARTE PLUG 20 VIE P/N 282369-3.  
(HOUSING SUITABLE FOR PLUG 20 POSITION P/N 282369-3)
- 4) TAB IN OTTONE STAGNATO  
(TAB: BRASS TIN PLATED)



BLU (BLUE)	PBT NAT. (PBT UNFILLED)	282632-3
FINITURA / COLORE (FINISH / COLOUR)	MATERIALE (MATERIAL)	NUMERO (PART NUMBER)

CUSTOMER DWG. FOR REFERENCE ONLY	DISEGNO PER CLIENTE SOLO PER RIFERIMENTO
-------------------------------------	---------------------------------------------

THIS DRAWING IS UNPUBLISHED

© COPYRIGHT 19 BY AMP INCORPORATED, HARRISBURG, PA. ALL INTERNATIONAL RIGHT RESERVED. AMP PRODUCTS MAY BE COVERED BY U.S. AND FOREIGN PATENT AND/OR PATENT PENDING

TOLLERANZE, SE NON DIVERSAMENTE SPECIFICATO (TOLERANCES, UNLESS OTHERWISE SPECIFIED)	DIAM. ISOLANTE (INS. DIA. RANGED)	RANGO FILO (WIRE RANGE)	SCALA (SCALE)
± 0.3	-	-	2:1

ANGOLI (ANGLES) ± 2°

DIS. (COR.)

CONT. (CHK)

DESCRIZIONE (DESCRIPTION) 070 Sr. MULTILOCK\* CONN.

HEADER, 20 POSITION HORIZONTAL TYPE

LOC. (LOC.)	SIZE (SIZE)	NUMERO (DWG NO)	REV.	FOLLIO (SHEET)
I	A3	C-282632	B	3

APP. (APP.)

REV. (REV.)

REVISIONI (REVISION RECORD)

DIS. DATA (COR) (COATE)

REV. (REV.)	REVISIONI (REVISION RECORD)	DIS. DATA (COR) (COATE)

SEE SHEET 1 OF 4

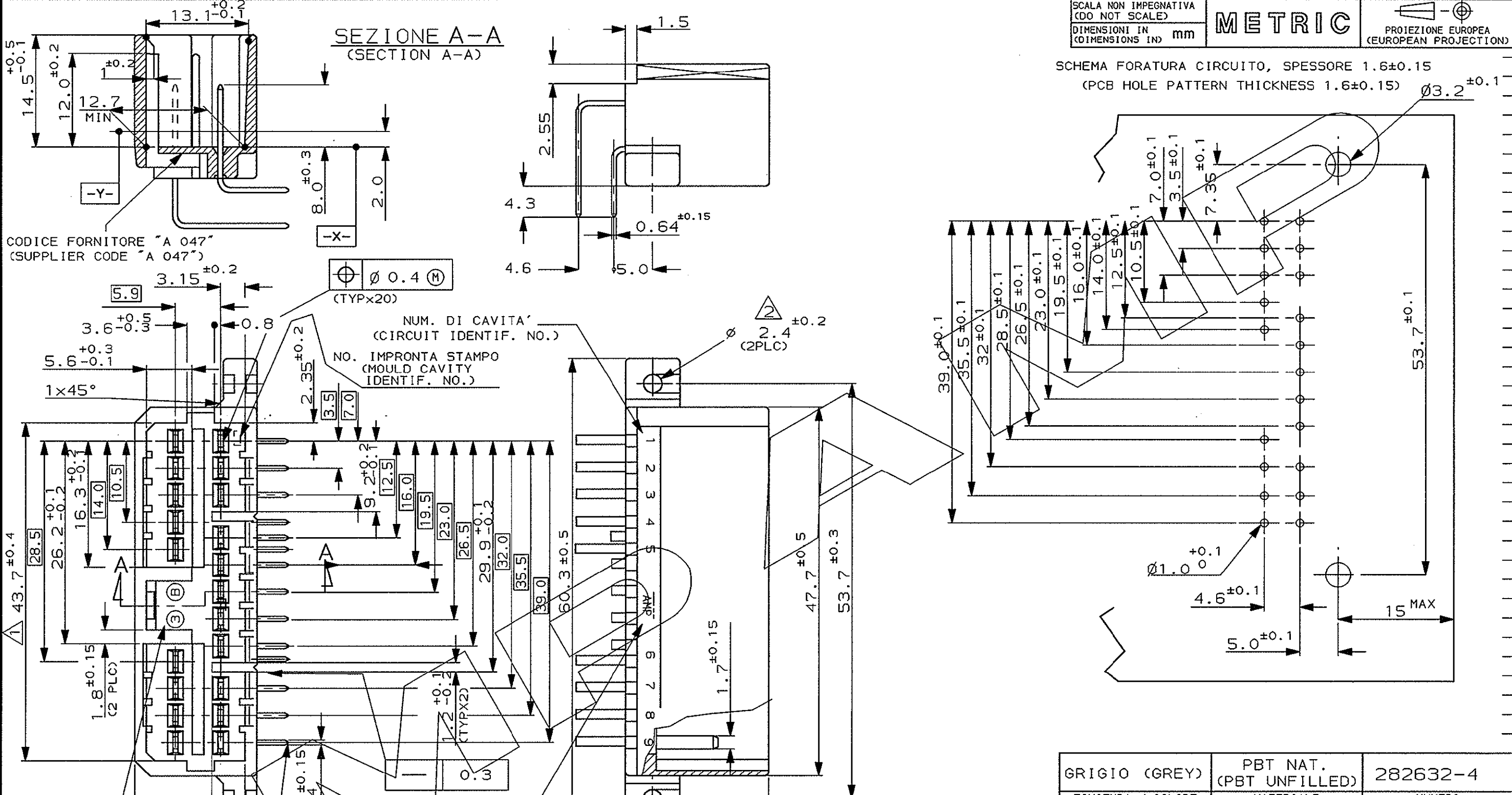
SEE SHEET 1 OF 4

SCALA NON IMPEGNATIVA  
(DO NOT SCALE)  
DIMENSIONI IN mm  
(DIMENSIONS IN mm)

**METRIC**

PROIEZIONE EUROPEA  
(EUROPEAN PROJECTION)

SCHEMA FORATURA CIRCUITO, SPESSORE 1.6±0.15  
(PCB HOLE PATTERN THICKNESS 1.6±0.15)



CODICE FORNITORE "A 047"  
(SUPPLIER CODE "A 047")

**SEZIONE A-A**  
(SECTION A-A)

Ø 0.4 (M)  
(TYPx20)

NUM. DI CAVITA' (CIRCUIT IDENTIF. NO.)  
NO. IMPRONTA STAMPO (MOULD CAVITY IDENTIF. NO.)

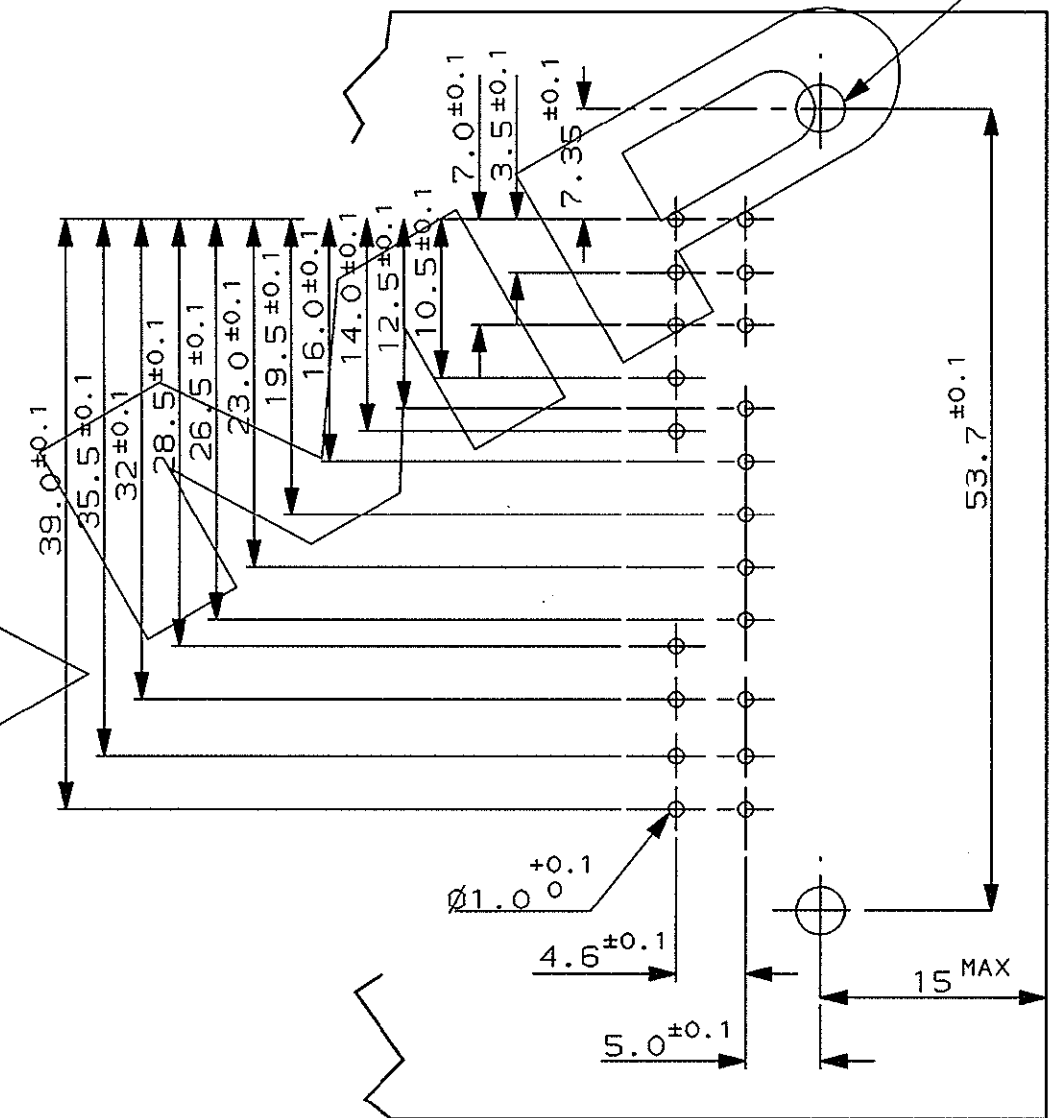
2.4 ±0.2  
(2PLC)

DATARIO (DATE CODE)

MARCHIO DI FABBRICA (AMP TRADE MARK)

Ø 0.4 (M)  
(TYPx20)

- 1 QUOTE MISURATE TRA I PIANI -X- E -Y-.  
(DIMENSIONS MUST BE KEPT BETWEEN -X- AND -Y-).
- 2 FORI PER DUE VITI AUTOFILETTANTI M3, DA APPLICARE PRIMA DELLA STAGNATURA AD ONDA.  
(HOLES FOR TWO TAPPING SCREWS M3, BEFORE SOLDERING OPERATION).
- 3 BLOCCHETTO ADATTO PER CONTROPARTE PLUG 20 VIE P/N 282369-4  
(HOUSING SUITABLE FOR PLUG 20 POSITION P/N 282369-4)
- 4 TAB IN OTTONE STAGNATO (TAB: BRASS TIN PLATED)



GRIGIO (GREY)	PBT NAT. (PBT UNFILLED)	282632-4
FINITURA / COLORE (FINISH / COLOUR)	MATERIALE (MATERIAL)	NUMERO (PART NUMBER)

CUSTOMER DWG. FOR REFERENCE ONLY  
DISEGNO PER CLIENTE SOLO PER RIFERIMENTO

THIS DRAWING IS UNPUBLISHED  
RELEASE FOR PUBLICATION

© COPYRIGHT 19 BY AMP INCORPORATED, HARRISBURG, PA. ALL INTERNATIONAL RIGHT RESERVED. AMP PRODUCTS MAY BE COVERED BY U.S. AND FOREIGN PATENT AND/OR PATENT PENDING

TOLLERANZE, SE NON DIVERSAMENTE SPECIFICATO (TOLERANCES, UNLESS OTHERWISE SPECIFIED)	DIAM. ISOLANTE (INS. DIA. RANGE)	RANGO FILO (WIRE RANGE)	SCALA (SCALE)
± 0.3	-	-	2:1

ANGOLI (ANGLES) ± 2°

**AMP** AMP ITALIA S.p.A.  
Corso F.lli Cervi, 15  
COLLEGNO (TORINO)

DESCRIZIONE (DESCRIPTION) 070 Sr. MULTILOCK\* CONN.  
HEADER, 20 POSITION HORIZONTAL TYPE

LOC. SIZE (LOC. NO.)	NUMERO (DWG NO.)	REV.	FOGLIO (SHEET)
I A3 C	282632	B	4 OF 4

REV.	REVISIONI (REVISION RECORD)	DIS. DATA (DR. DATE)	APP. (APP.)