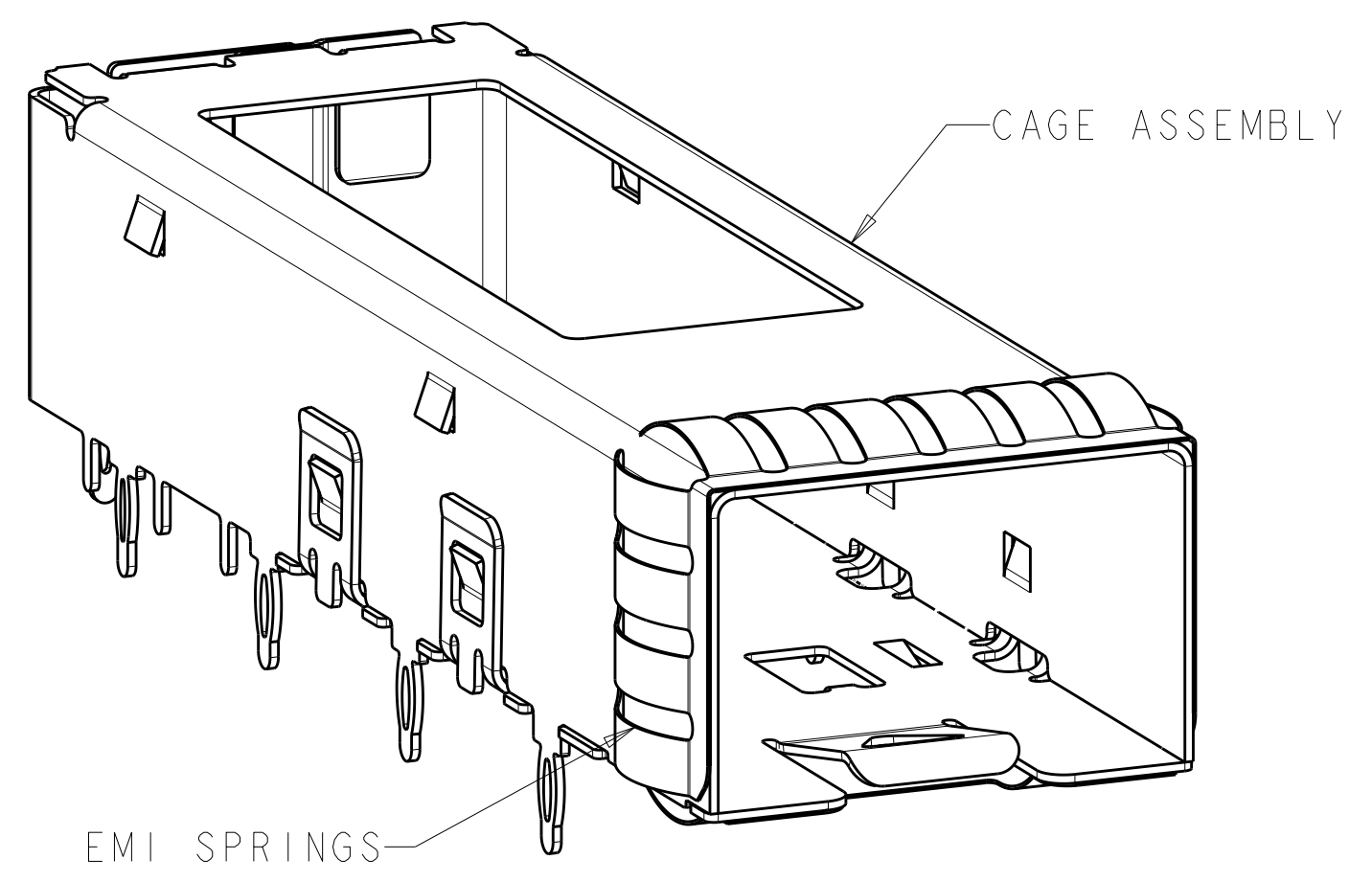
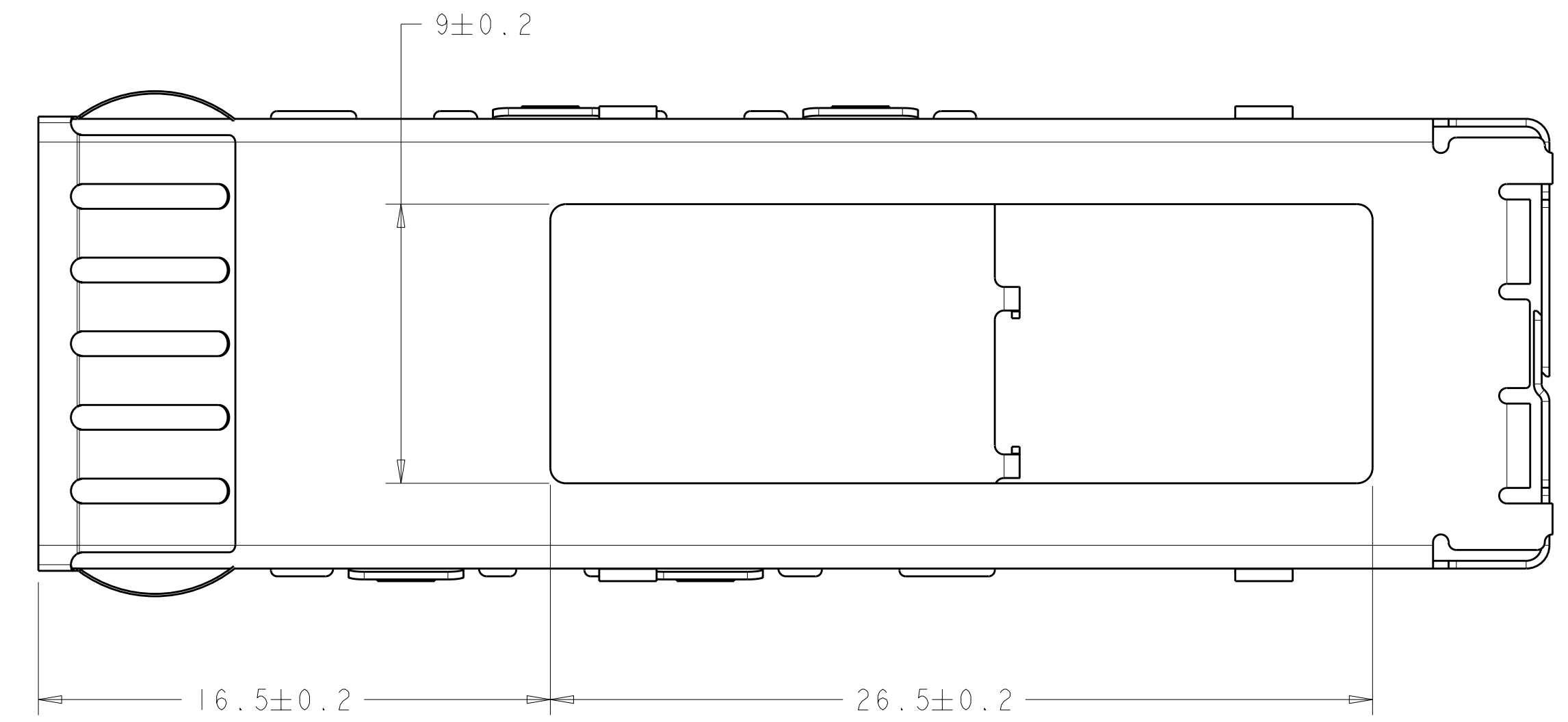


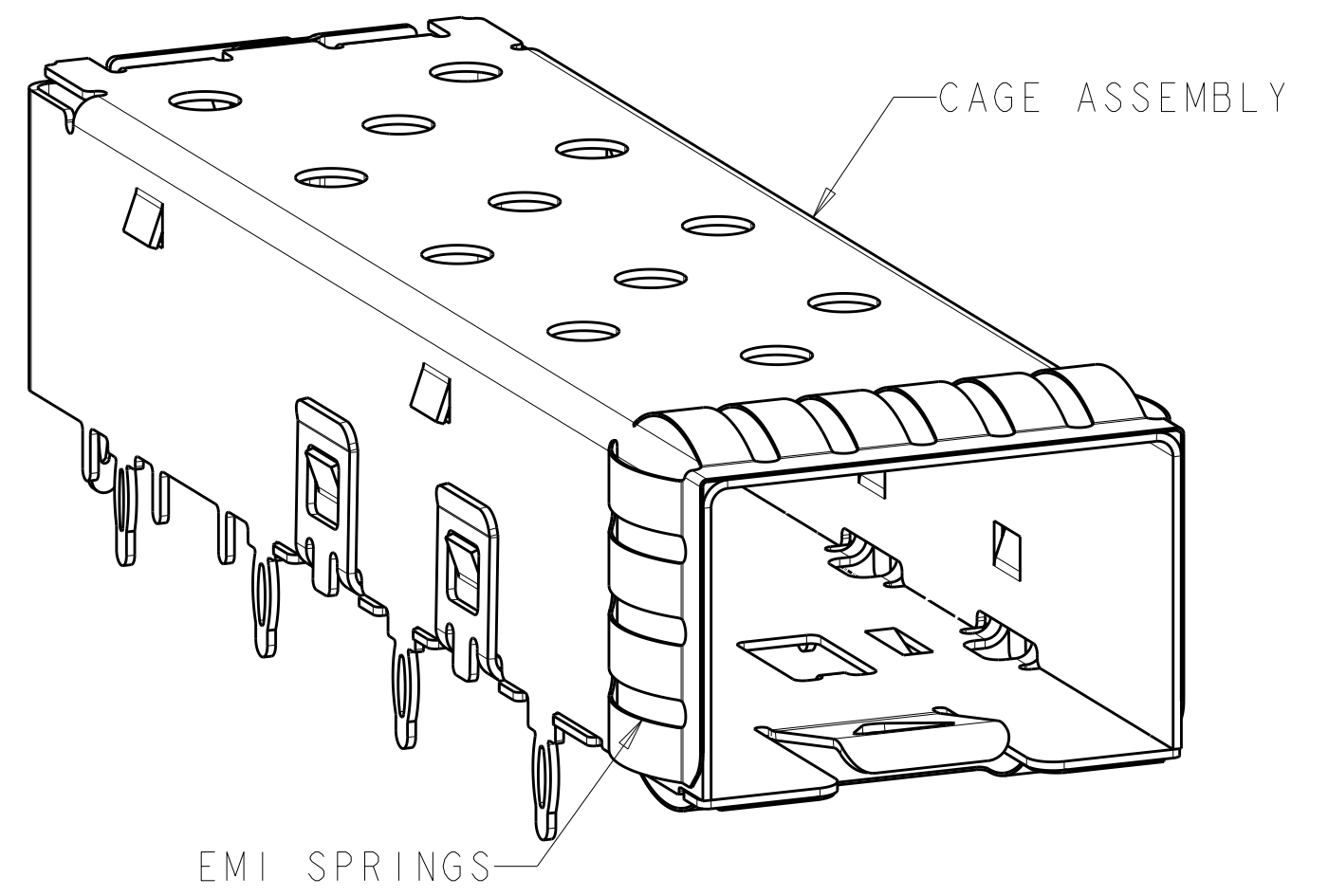
LOC	DIST	REV	DATE	DWN	APVD
GP	00	B	200CT2009	CR	MS
		C	07DEC2011	TX	AC



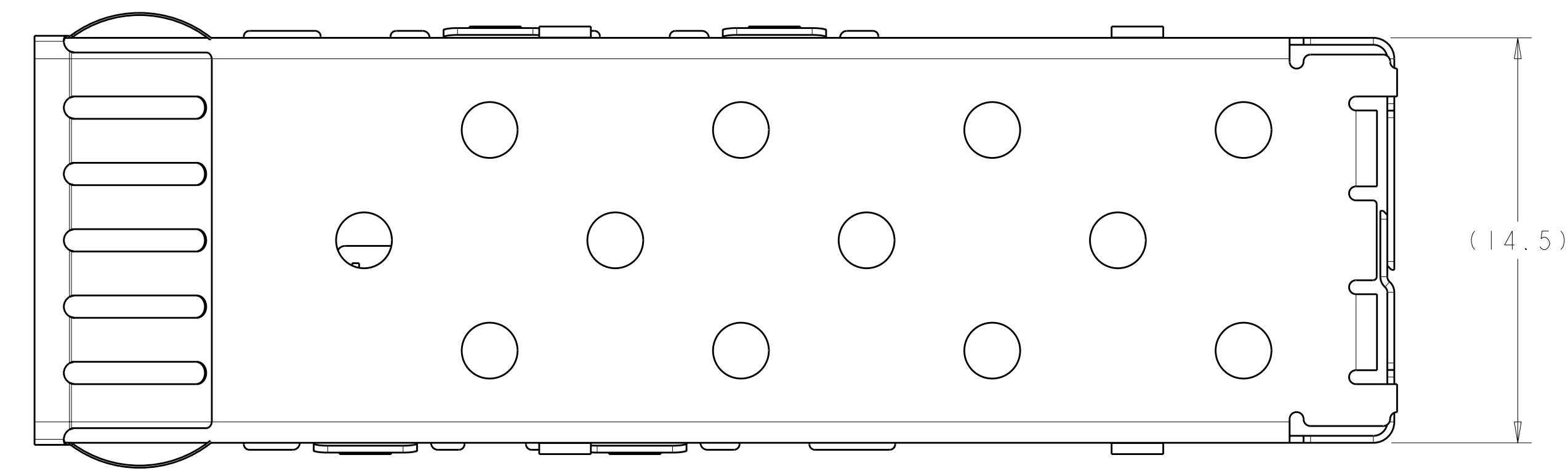
2007215-2
SCALE 5:1



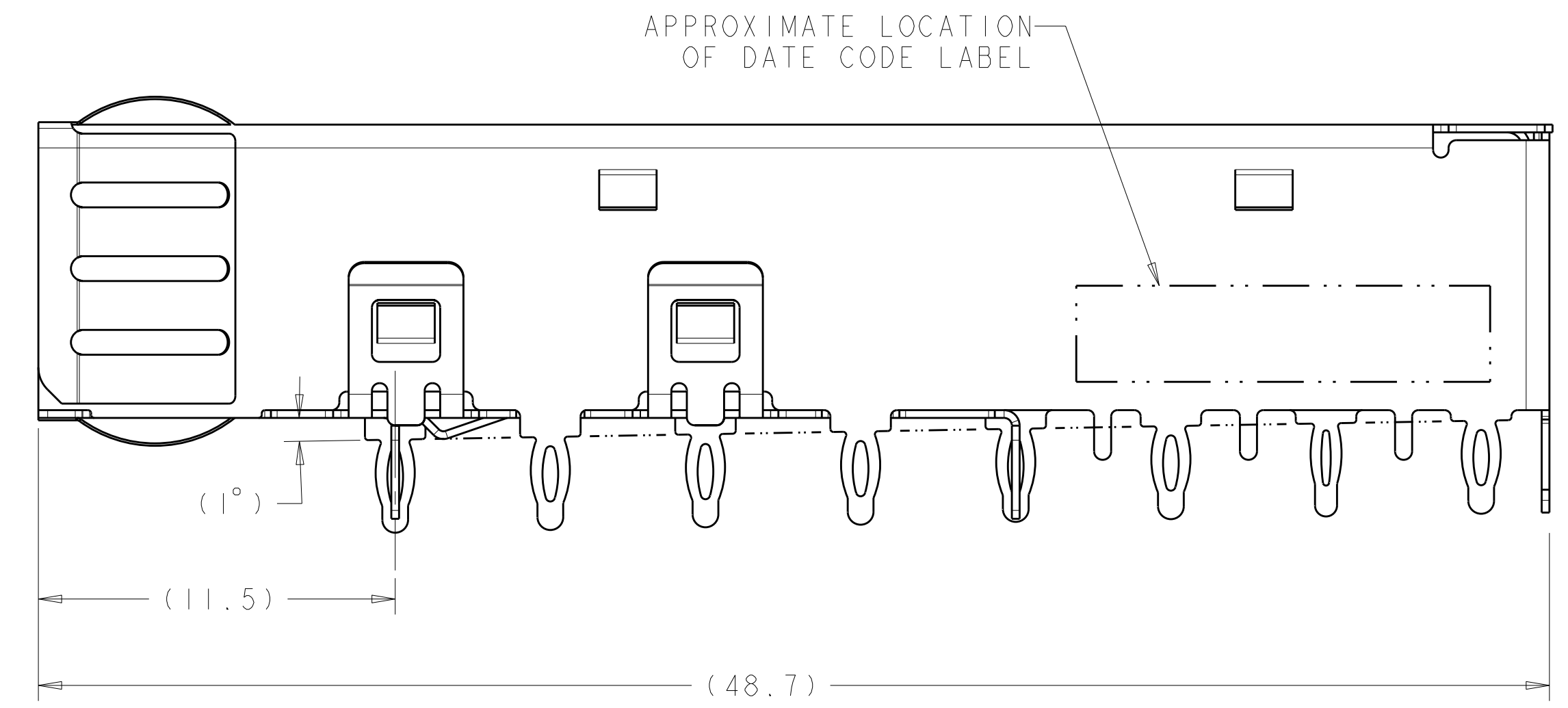
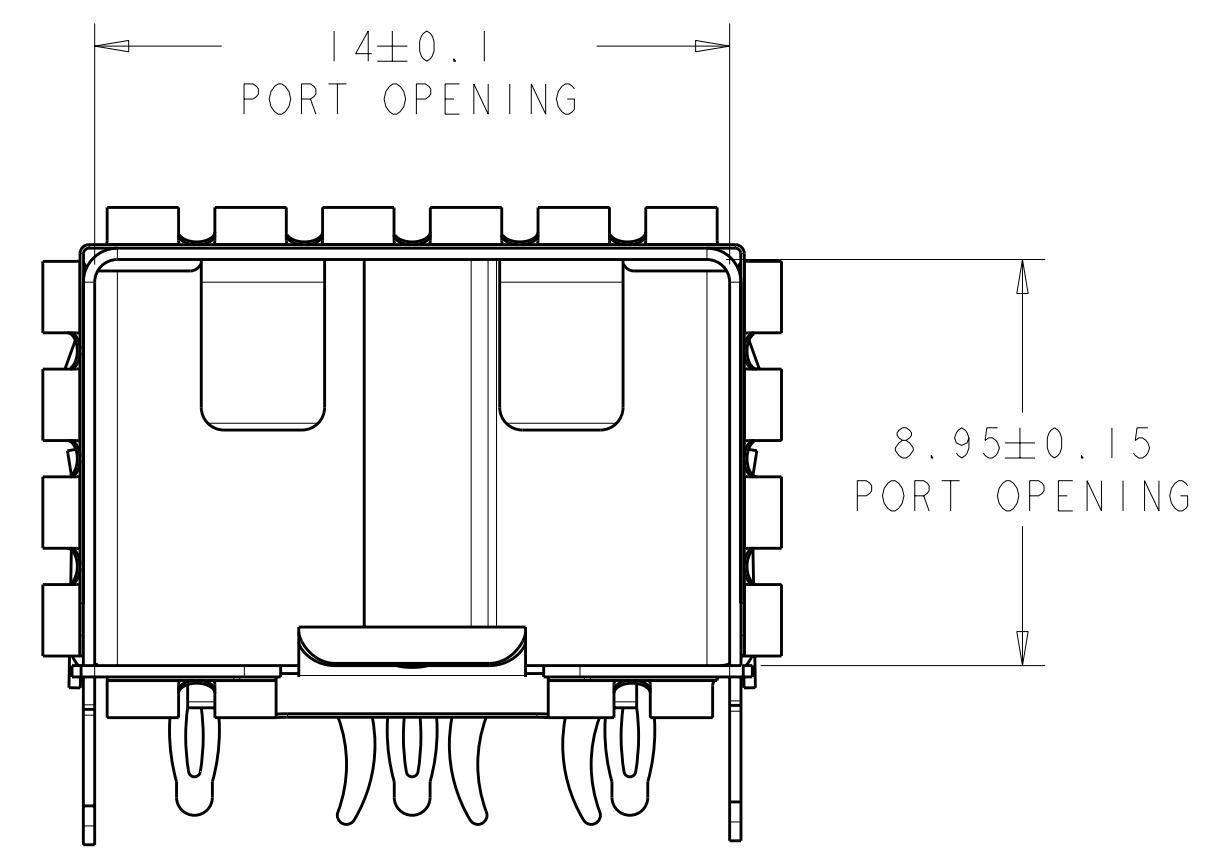
2007215-2
SAME AS 2007215-1 EXCEPT AS SHOWN
TOP VIEW



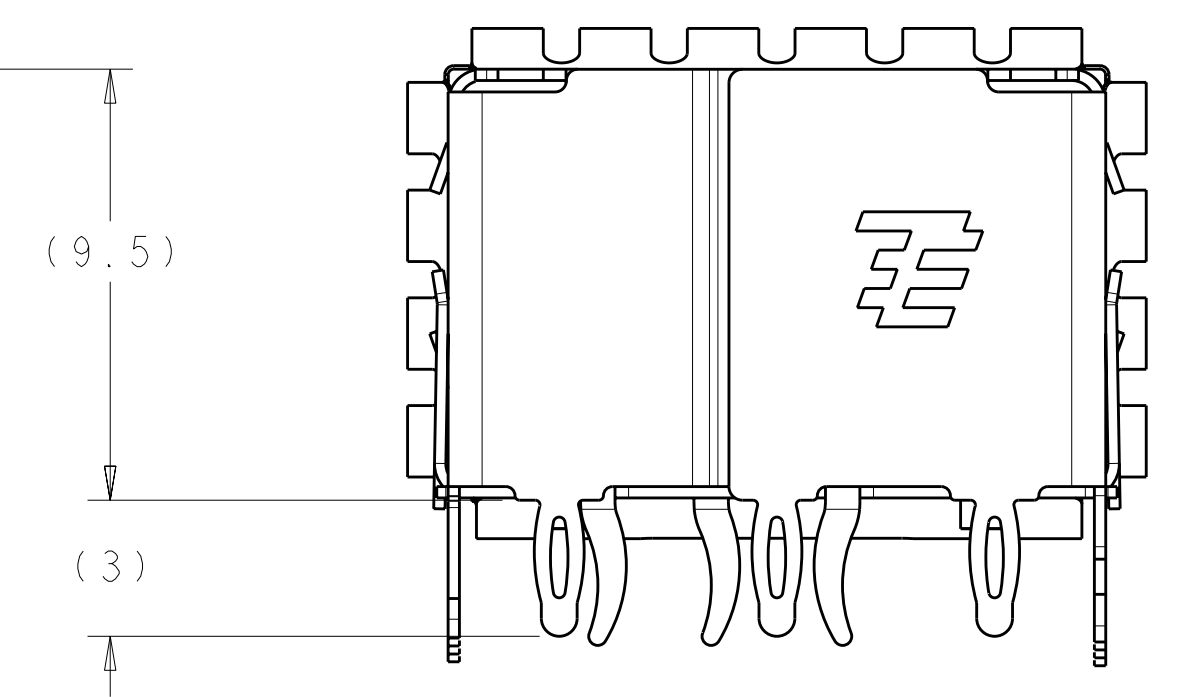
2007215-1
SCALE 5:1



2007215-1
TOP VIEW



- 1 MATERIAL:
CAGE ASSEMBLY - 0.25mm THICK NICKEL-SILVER ALLOY.
EMI SPRINGS - COPPER ALLOY.
- 2 FINISH:
EMI SPRINGS - 0.8um MIN TIN OVER 0.8um MIN NICKEL,
NON PLATED EDGES PERMISSIBLE.
- 3. MATES WITH SFP MSA COMPLIANT TRANSCEIVERS.
- 4 PADS AND VIAS CHASSIS GROUND.
- 5 DATUMS AND BASIC DIMENSIONS ESTABLISHED BY CUSTOMER.
- 6. MINIMUM PC BOARD THICKNESS:
SINGLE SIDED = 1.50mm
- 7 REFERENCE APPLICATION SPEC. 114-13120, HOLE A,
FOR RECOMMENDED DRILL HOLE DIAMETER AND PLATING
THICKNESS.
- 8 REFERENCE APPLICATION SPEC. 114-13120, HOLE C,
FOR RECOMMENDED DRILL HOLE DIAMETER AND PLATING
THICKNESS.
- 9. NOTE DELETED



HEATSINK OPENING	2007215-2
EMI HOLES	2007215-1
DESCRIPTION	PART NUMBER

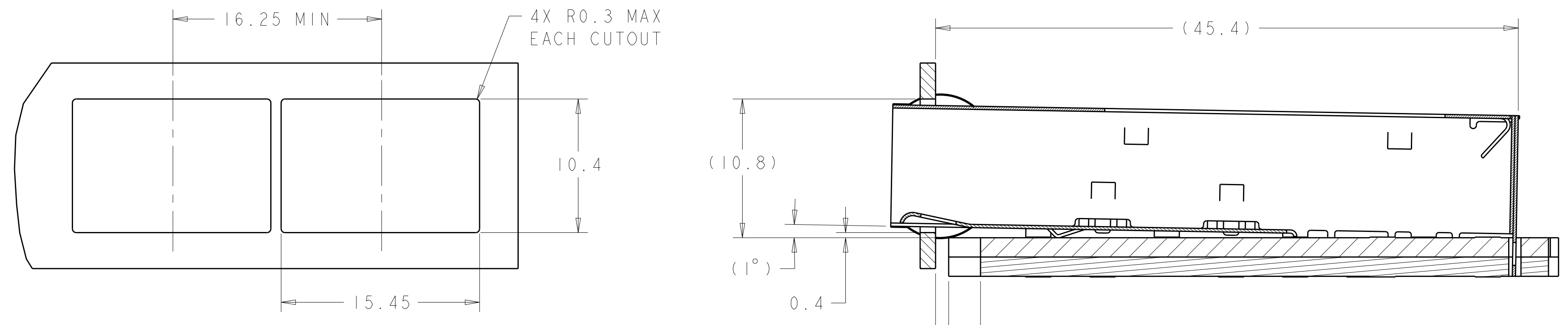
THIS DRAWING IS A CONTROLLED DOCUMENT.

DIMENSIONS:	TOLERANCES UNLESS OTHERWISE SPECIFIED:	DWN M. SCHMITT 6AUG2007	NAME
mm	0 PLC ±0.1	CHK M. SCHMITT 6AUG2007	SFP+ IXI CAGE ASSEMBLY, PCI, PRESS-FIT EMI SPRING FINGERS
	1 PLC ±0.1	APVD B. WERTZ 6AUG2007	PRODUCT SPEC
	2 PLC ±0.1		108-2364
	3 PLC ±0.1		APPLICATION SPEC
	4 PLC ±0.05		114-13120
	5 PLC ±0.05		SIZE CAGE CODE DRAWING NO
	ANGLES ±0.05		RESTRICTED TO
MATERIAL	FINISH	WEIGHT	A100779C=2007215
			CUSTOMER DRAWING

SCALE 6:1 SHEET 1 OF 2 REV C

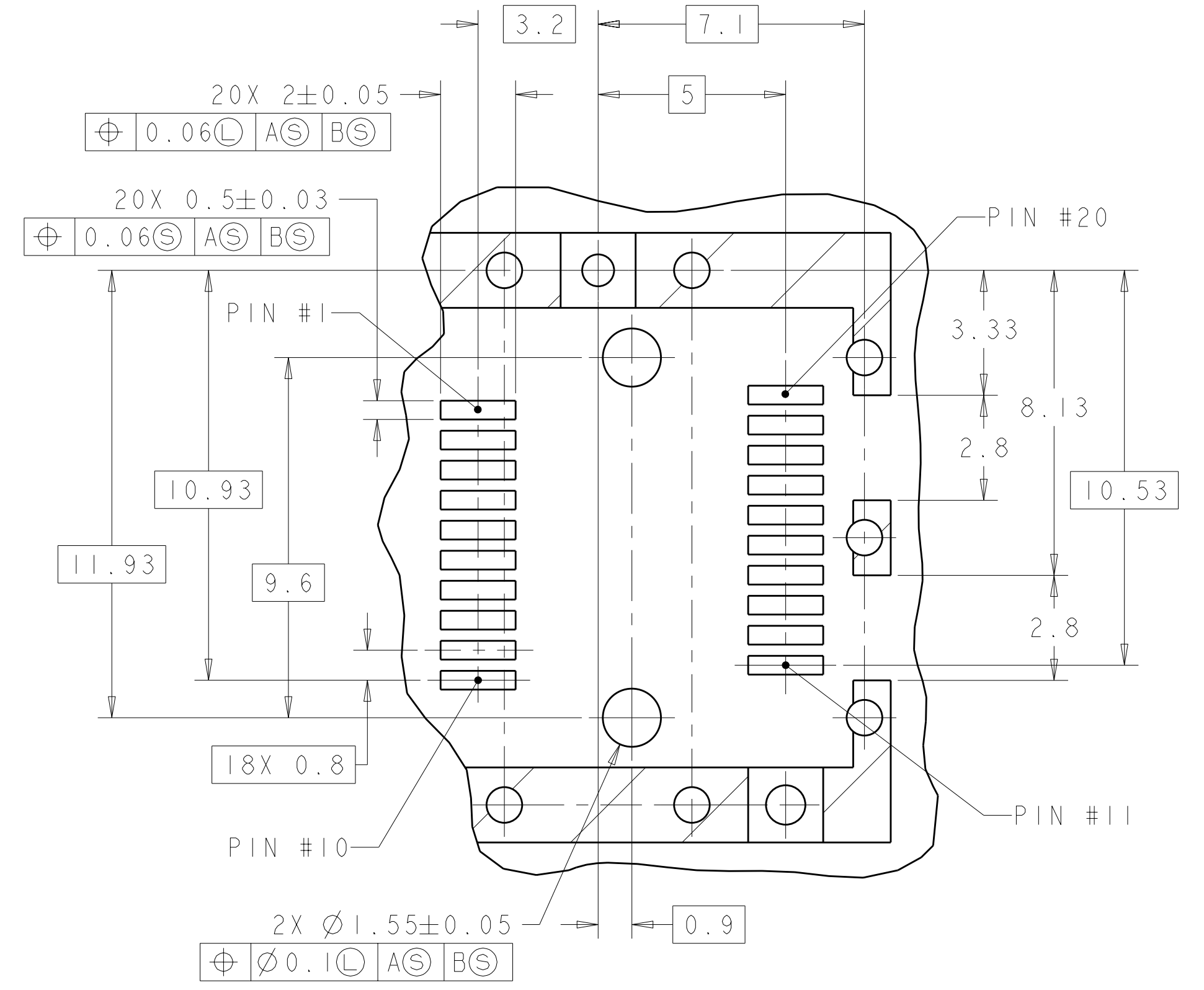
LOC	DIST	REV	DATE	BY	APPD
GP	00				

REVISIONS		DATE	BY	APPD
1	SEE SHEET 1			

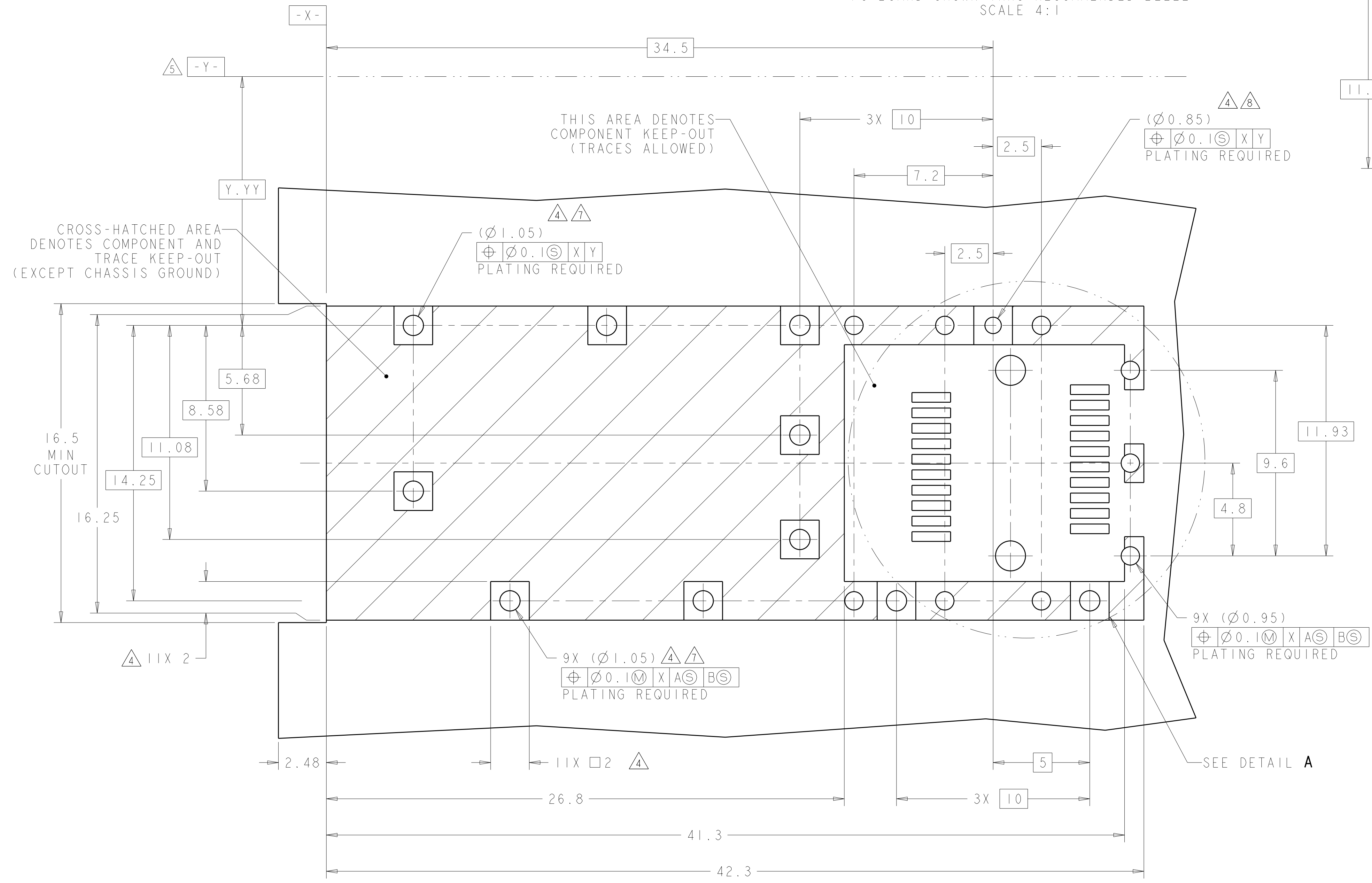


RECOMMENDED BEZEL CUTOUT SCALE 4:1

3.5±0.3 BACK OF BEZEL TO PC BOARD CUTOUT
 1.02±0.3 BACK OF BEZEL TO FRONT OF PC BOARD
 CAGE ASSEMBLY MOUNTED ON RECOMMENDED PC BOARD SHOWN THRU RECOMMENDED BEZEL SCALE 4:1



DETAIL A SCALE 8:1



RECOMMENDED PCB LAYOUT SCALE 8:1

THIS DRAWING IS A CONTROLLED DOCUMENT.		DWN: M. SCHMITT 6AUG2007	TE Connectivity
DIMENSIONS: mm		CHK: M. SCHMITT 6AUG2007	
TOLERANCES UNLESS OTHERWISE SPECIFIED:		APVD: B. WERTZ 6AUG2007	NAME: SFP+ IXI CAGE ASSEMBLY, PCI, PRESS-FIT EMI SPRING FINGERS
9 PLC ±0.1	1 PLC ±0.1	PRODUCT SPEC: 108-2364	SIZE: CAGE CODE DRAWING NO: A100779C=2007215
5 PLC ±0.1	3 PLC ±0.05	APPLICATION SPEC: 114-13120	RESTRICTED TO: -
4 PLC ±0.05	ANGLES ±0.05	WEIGHT: -	SCALE: 6:1 SHEET: 2 OF 2 REV: C
MATERIAL: -	FINISH: -	CUSTOMER DRAWING	