

165171 ✓ ACTIVE

PLASTI-GRIP

TE Internal #: 165171

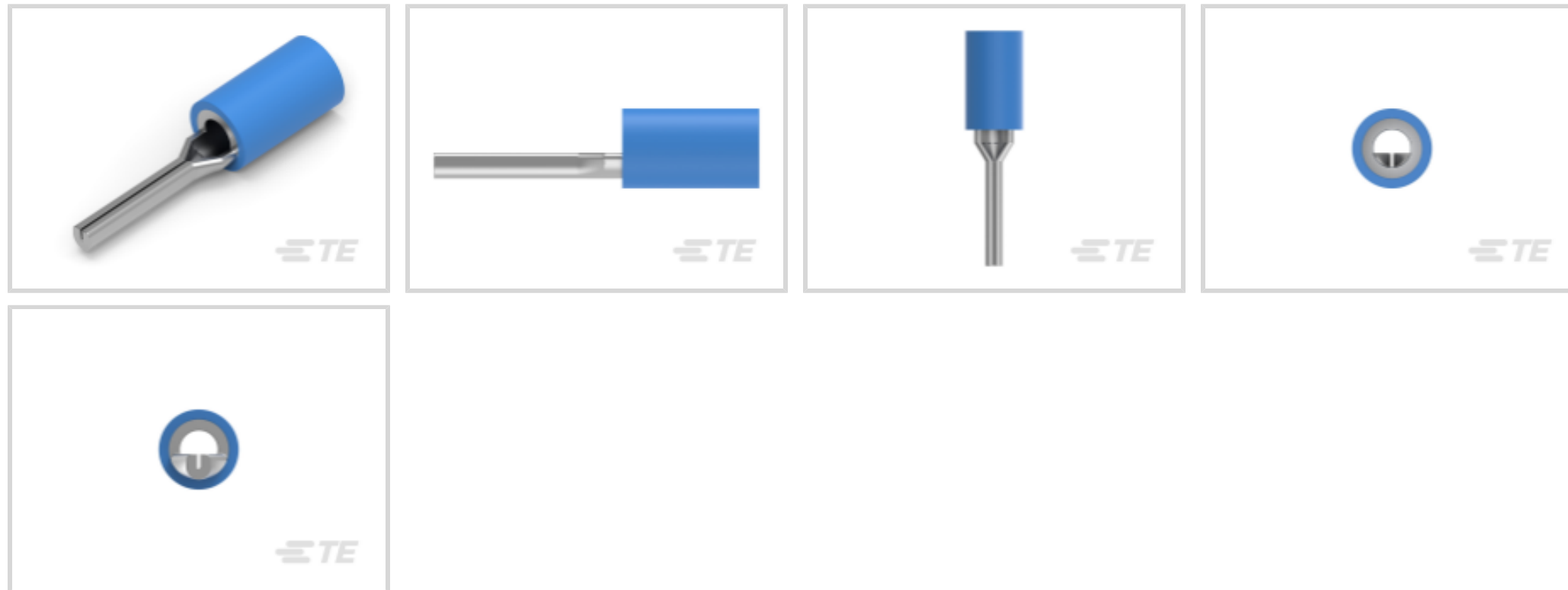
Wire Pin, 1.78 mm [.07 in] Pin Diameter, 17 – 13 AWG, 1 – 2.5 mm²

Wire, 2050 – 5180 CMA, Closed Barrel, Tin Plating, PLASTI-GRIP

[View on TE.com >](#)



Terminals & Splices > Crimp Wire Pins, Tabs & Ferrules



Crimp Wire Terminal Type: **Wire Pin**

Mating Pin Diameter: **1.78 mm [.07 in]**

Compatible Insulation Diameter Range: **4.95 mm, 2.92 – 4.83 mm [.195 in, .115 – .19 in]**

Wire Size: **1 – 2.5 mm²**

Features

Product Type Features

Sealable	No
Compatible With Discrete Wire Type	Stranded
Wire Insulation Support Retention Type	Insulation Support

Configuration Features

Compatible With Wire & Cable Type	Discrete Wire
-----------------------------------	---------------

Body Features

Sleeve Material	PVC
Primary Product Color	Blue
Insulation Material	PVC

Contact Features

Contact Mating Area Length	9.9 mm[.39 in]
Contact Fabrication	Stamped & Formed
Crimp Wire Terminal Type	Wire Pin
Mating Pin Diameter	1.78 mm[.07 in]
Barrel Type	Closed

Terminal Plating Material	Tin
Contact Shape & Form	Round
Terminal Orientation	Straight

Mechanical Attachment

Wire Insulation Support	Without
-------------------------	---------

Dimensions

DIN Wire Size	1 – 2.5 mm ²
Compatible Insulation Diameter Range	4.95 mm, 2.92 – 4.83 mm [.195 in][.115 – .19 in]
Wire Size	2050 – 5180 CMA
Terminal Material Thickness	.79 mm [.031 in]
Overall Product Length	23.7 mm [.933 in]

Usage Conditions

Insulation Option	Partially Insulated
-------------------	---------------------

Packaging Features

Packaging Quantity	1000
Packaging Method	Loose Piece

Product Compliance

[For compliance documentation, visit the product page on TE.com>](#)

EU RoHS Directive 2011/65/EU	Compliant
EU ELV Directive 2000/53/EC	Compliant
China RoHS 2 Directive MIIT Order No 32, 2016	No Restricted Materials Above Threshold
EU REACH Regulation (EC) No. 1907/2006	Current ECHA Candidate List: JUNE 2024 (241) Candidate List Declared Against: JUNE 2024 (241) Does not contain REACH SVHC
Halogen Content	Not Low Halogen - contains Br or Cl > 900 ppm.
Solder Process Capability	Not applicable for solder process capability

Product Compliance Disclaimer

This information is provided based on reasonable inquiry of our suppliers and represents our current actual knowledge based on the information they provided. This information is subject to change. The part numbers that TE has identified as EU RoHS compliant have a maximum concentration of 0.1% by weight in homogenous materials for lead, hexavalent chromium, mercury, PBB, PBDE, DBP, BBP, DEHP, DIBP, and 0.01% for cadmium, or qualify for an exemption to these

limits as defined in the Annexes of Directive 2011/65/EU (RoHS2). Finished electrical and electronic equipment products will be CE marked as required by Directive 2011/65/EU. Components may not be CE marked. Additionally, the part numbers that TE has identified as EU ELV compliant have a maximum concentration of 0.1% by weight in homogenous materials for lead, hexavalent chromium, and mercury, and 0.01% for cadmium, or qualify for an exemption to these limits as defined in the Annexes of Directive 2000/53/EC (ELV). Regarding the REACH Regulation, the information TE provides on SVHC in articles for this part number is based on the latest European Chemicals Agency (ECHA) 'Guidance on requirements for substances in articles' posted at this URL: <https://echa.europa.eu/guidance-documents/guidance-on-reach>

Compatible Parts




REPRESENTATION ONLY

TE Part # 525691
DAHT PG PIDG 16-14 ASSY



TE Part # 4-1377173-7
SMP 0-0165171-0



TE Part # 2392022-2
BLUE BATTERY DAHT KIT 220V (47387-7)




REPRESENTATION ONLY

TE Part # 47387
DAHT PG PIDG 20-14 ASSY



TE Part # 169400
CERTI-LOK FRAME W/O DIES



TE Part # 2392022-1
BLUE BATTERY DAHT KIT 110V (47387-7)



TE Part # 539691-2
ERGO DIE R.B.Y



TE Part # 169404
CERTI-LOK DIE



REPRESENTATION ONLY

TE Part # 47387-7
DAHT PG PIDG 16-12 ASSY

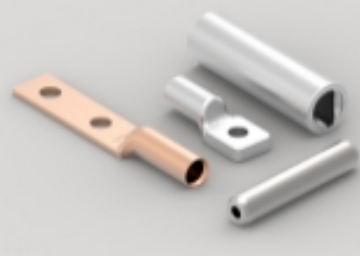


TE Part # 58423-1
DIE, RBY IS9252



TE Part # 58433-3
PRO CR ASSY, RBY IS9252


Also in the Series | PLASTI-GRIP



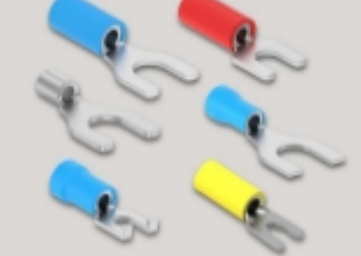
Compression Connectors(3)



Crimp Wire Pins, Tabs & Ferrules(20)



Ring Terminals(310)

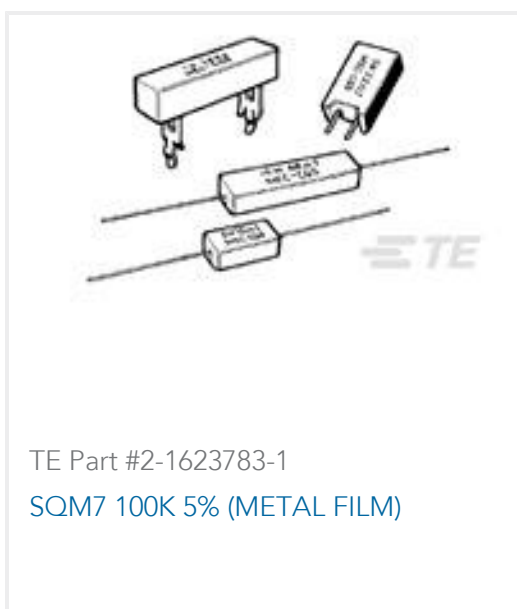
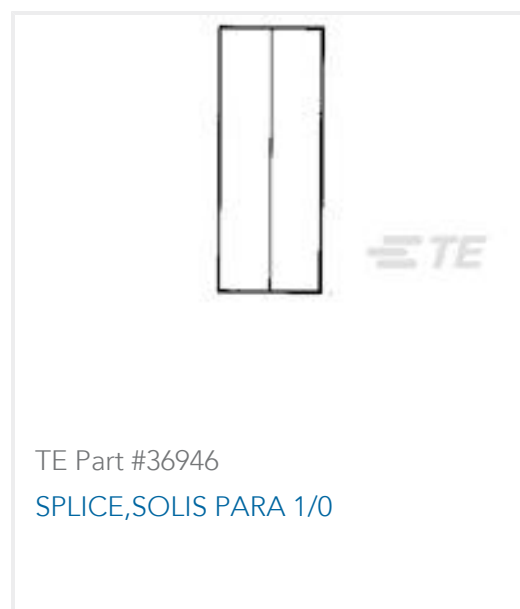
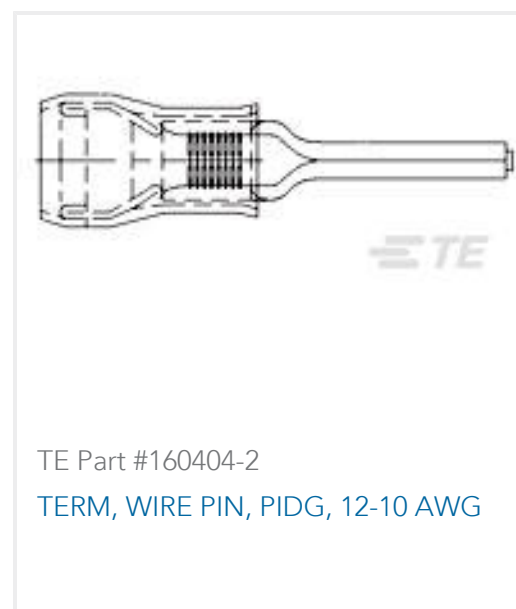
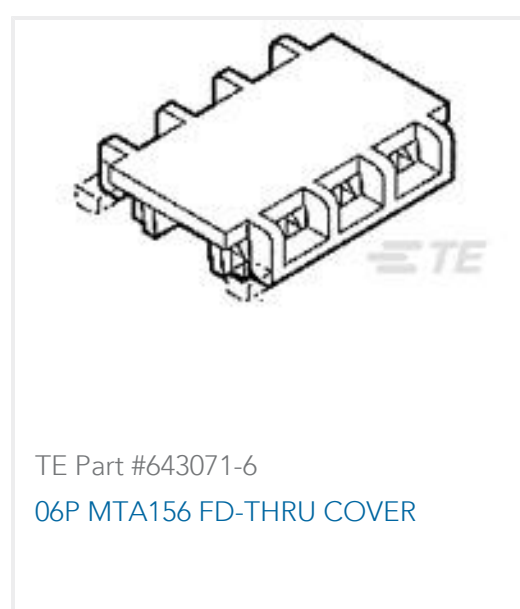


Spade Terminals(159)



Splices(45)

Customers Also Bought

TE Part #187752-000
CR-107-LSRTE Part #1-1956170-2
RY211005RTE Part #3-641435-6
06P MTA156 CONN ASSY ORNGTE Part #62718-2
250 FASTON FLAG REC 22-18 AWG
TPBRTE Part #2-1623783-1
SQM7 100K 5% (METAL FILM)TE Part #36946
SPLICE,SOLIS PARA 1/0TE Part #160404-2
TERM, WIRE PIN, PIDG, 12-10 AWGTE Part #165167-1
PG WIREPIN RED LONGTE Part #3-640599-6
06P MTA156 CONN ASSY 18AWG
ORATE Part #643071-6
06P MTA156 FD-THRU COVER

Documents

Product Drawings

[P.G. WIRE PIN 16-14](#)

English

CAD Files

[3D PDF](#)

3D

Customer View Model

[ENG_CVM_CVM_165171_T.2d_dxf.zip](#)



English

Customer View Model

[ENG_CVM_CVM_165171_T.3d_igs.zip](#)

English

Customer View Model

[ENG_CVM_CVM_165171_T.3d_stp.zip](#)

English

Customer View Model

[ENG_CVM_165171_G.3d_igs.zip](#)

English

Customer View Model

[ENG_CVM_165171_G.3d_stp.zip](#)

English

Customer View Model

[ENG_CVM_165171_G.2d_dxf.zip](#)

English

3D PDF

English

By downloading the CAD file I accept and agree to the [Terms and Conditions](#) of use.

Product Specifications

Application Specification

English

Instruction Sheets

Instruction Sheet (U.S.)

English

Agency Approvals

UL Report

English