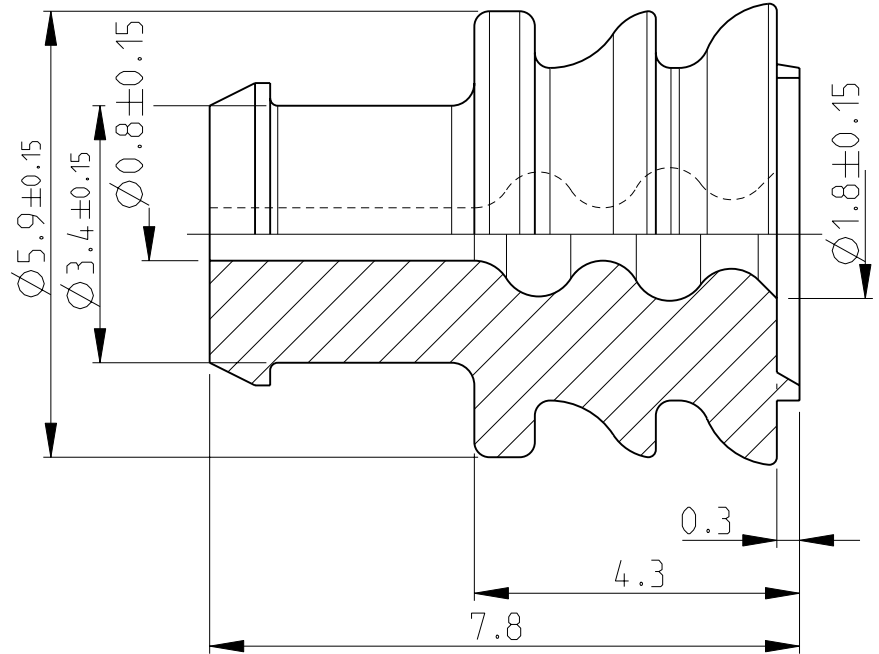
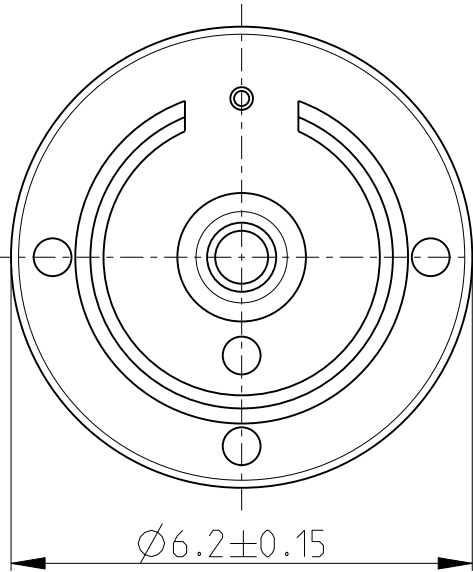
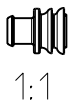


LOC	DIST	REVISIONS			
P	LTR	DESCRIPTION	DATE	DWN	APVD
A1	-	M8	REVISED PER ECO-11-005150	31MAR2011	RK HMR



BEMERKUNGEN
NOTES

- 1 Einzelheiten der Ausfuehrung bleiben dem hersteller ueberlassen
DETAILS OF DESIGN ARE LEFT TO MANUFACTURER
- 2 Passend fuer Drahtgroessenbereich: 0.35-1mm²
SUITABLE FOR WIRE SIZE RANGE:
- 3 Passend fuer Isolationsdurchmesser: 1.2-2mm
SUITABLE FOR INSULATION DIAMETER:
- 4 Bestueckungshilfe fuer Einzelleiterabdichtung siehe: TE Connectivity: 965702
INSERTER FOR SINGLE WIRE SEAL SEE:
- 6 Keine Luftloecher zulaessig
NO AIR BUBBLES PERMITTED



PART NO.	REV.	COLOUR	MATERIAL	FINISH
828920-2	M	DARK BLUE	VMQ-50, SILICON OIL FREE	-
828920-1	M	GREY	VMQ-50, 50% SELF-LUBRICATING	-

RELEASED FOR PUBLICATION
 ALL RIGHTS RESERVED.
 THIS DRAWING IS UNPUBLISHED.
 COPYRIGHT -

DIMENSIONS: mm		DWN Gaupp, P. 17APR1997	MATERIAL SEE TABLE		FINISH -
TOLERANCES UNLESS OTHERWISE SPECIFIED: DIN 16901-160		CHK Kuempel, D. 21APR1997	TE Connectivity		
0 PLC ± 1 PLC ± 2 PLC ± 3 PLC ± 4 PLC ± ANGLES ±°		APVD -			
		PRODUCT SPEC 108-18263-1	NAME RUBBER PLUG DIA. 2,5mm SYSTEM 0.35-1 SQUARE MILLIMETER FLKR		
		APPLICATION SPEC 114-18031	SIZE A 4	CAGE CODE 00779	DRAWING NO C-828920
		WEIGHT -			RESTRICTED TO -
CUSTOMER DRAWING			SCALE 10:1	SHEET 1	OF 1 REV M8