

RoHS Recast Compliant

Serial ATA Flash Drive

mSATA M4 -M Product Specifications

March 12th, 2013

Version 1.8



Apacer Technology Inc.

4th Fl., 75 Hsin Tai Wu Rd., Sec.1, Xizhi, New Taipei City, Taiwan 221

Tel: +886-2-2698-2888 Fax: +886-2-2698-2889

www.apacer.com

Features:

- **Standard Serial ATA 2.6 (Gen. 2)**
 - Serial ATA 2.6 (Gen. 2)
 - SATA II , 3.0 Gbps
 - ATA-compatible command set
 - ATA modes support
- **Capacities**
 - 8, 16, 32, 64, 128 GB
- **Performance***
 - Burst read/write: 300 MB/sec
 - Sustained read: up to 155 MB/sec
 - Sustained write: up to 80 MB/sec
- **Intelligent endurance design**
 - Built-in hardware ECC, enabling up to 16/24 bit correction per 1K bytes
 - Static wear-leveling scheme together with dynamical block allocation to significantly increase the lifetime of a flash device and optimize the disk performance
 - Flash bad-block management
 - S.M.A.R.T.
 - Power Failure Management
 - ATA Secure Erase
 - TRIM
- **NAND Flash Type: MLC**
- **MTBF > 1,000,000 hours**
- **Temperature ranges**
 - Operation:
 - Standard: 0°C to 70°C (32 ~ 158°F)
 - Extended: -40 ~ +85°C (-40° ~ 185°F)**
 - Storage: -40°C to 100°C (-40° ~ 212°F)
- **Supply voltage**
 - 3.3V ± 5%
- **Power consumption (typical)***
 - Active mode: 475 mA
 - Idle mode: 135 mA
- **Form factor**
 - Mini PCIe (50.8 x 29.85 x 3.40, unit: mm)
 - JEDEC MO-300 compliant
- **Connector**
 - 52-pin mSATA connector
- **Shock & Vibration*****
 - Shock: 1500 G
 - Vibration: 15 G
- **RoHS Recast compliant**
 - Complies with 2011/65/EU
- **Endurance: 13.5 TBW (8GB), 27.01 TBW (16GB), 54.03 TBW (32GB), 108.07 TBW (64GB), 216.15 TBW (128GB)**
- **Write Protect (optional)**
 - Enabled by onboard hardware switch
- **Write Protect enabled by pin configuration******

*Varies from capacities. The values addressed here are typical and may vary depending on settings and platforms.

**Applies only to 16, 32, 64 and 128GB capacities. Please see "Product Ordering Information" for details.

***Non-operating

****For details, please refer to "Pin Assignments" and "Write Protect Enabled by Pin" sections

Table of Contents

1. Product Description	3
1.1 Introduction	3
1.2 Functional Block Diagram.....	3
1.3 ATA Mode Support	4
1.4 Capacity Specification.....	4
1.5 Performance.....	4
1.6 Pin Assignments	5
2. Software Interface	7
2.1 Command Set	7
3. Flash Management	8
3.1 Error Correction/Detection	8
3.2 Bad Block Management.....	8
3.3 Wear Leveling.....	8
3.4 Power Failure Management	8
3.5 ATA Secure Erase	8
3.6 S.M.A.R.T.	9
3.7 TRIM.....	9
4. Environmental & Reliability Specifications	10
4.1 Environments.....	10
4.2 Mean Time Between Failures (MTBF).....	10
4.3 Endurance	10
4.4 Certification and Compliance	11
5. Electrical Characteristics	12
5.1 Operating Voltage	12
5.2 Power Consumption.....	12
6. Physical Characteristics	13
6.1 Mechanical Drawing.....	13
6.2 Write Protect Switch (optional).....	14
7. Write Protect Enabled by Pin	15
8. Product Ordering Information	16
8.1 Product Code Designations	16
8.2 Valid Combinations.....	17

1. Product Description

1.1 Introduction

Apacer's mSATA M4-M is a solid-state disk (SSD) drive in mini PCIe form factor that contains a controller, embedded firmware, and flash media along with a male connector. mSATA M4-M leverages the advantages of standard SATA SSDs in terms of wide compatibilities and reliable performance. Though built with MLC, this SSD can work in highly demanding environment as it can withstand ambient temperature from -40°C to +85°C (for certain capacities only).

mSATA M4-M drive is designed with a single-chip controller, offering capacities of up to 128 gigabytes and is compliant with the SATA II high-speed interface standard. Complying with JEDEC MO-300 standard, this mSATA SSD is the widely adopted embedded storage with compact size and exceptional performance.

In addition, mSATA M4-M adopts the Apacer-specific global wear-leveling scheme to allow uniform use of all storage blocks, ensuring that the lifespan of a flash media can be significantly increased and the disk performance is optimized as well. mSATA M4-M provides the S.M.A.R.T. feature that follows the SATA Rev. 2.6, ATA/ATAPI-7 specifications and uses the standard SMART command B0h to read data from the drive. This feature protects the user from unscheduled downtime by monitoring and storing critical drive performance.

1.2 Functional Block Diagram

mSATA M4-M drive includes a single-chip SATA II Controller and the flash media, as well as the SATA standard interface. The controller integrates the flash management unit with the controller itself to support multi-channel, multi-bank flash arrays. Figure 1-1 shows the functional block diagram.

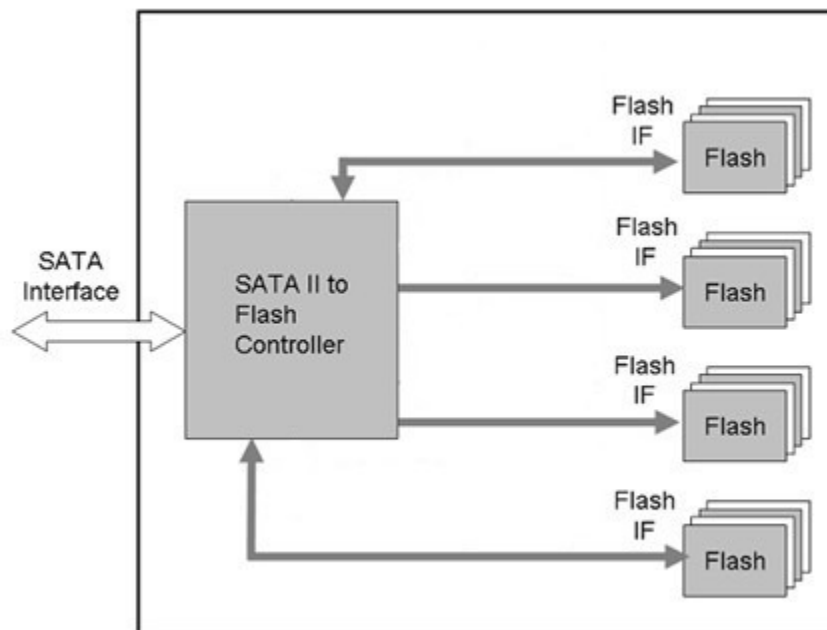


Figure 1-1 Apacer mSATA M4-M block diagram

1.3 ATA Mode Support

mSATA M4-M provides ATA mode support as follows:

- Up to PIO mode-4
- Up to Multiword DMA mode-2
- Up to UDMA mode-5

1.4 Capacity Specification

Capacity specification of mSATA M4-M product family is available as shown in Table 1-1. It lists the specific capacity, the default numbers of logical cylinders and heads, and the number of logical sectors per track for each product line.

Table 1-1 Capacity specification

Capacity	Total Bytes*	Cylinders	Heads	Sectors	Max LBA*
8 GB	8,012,390,400	15525	16	63	15,649,200
16 GB	16,013,942,784	16383	16	63	31,277,232
32 GB	32,017,047,552	16383	16	63	62,533,296
64 GB	64,023,257,088	16383	16	63	125,045,424
128 GB	126,718,694,912	16383	16	63	247,497,451

*Display of total bytes varies from file systems.

**Cylinders, heads or sectors are not applicable for these capacities. Only LBA addressing applies.

**Notes: 1 GB = 1,000,000,000 bytes; 1 sector = 512 bytes.

LBA count addressed in the table above indicates total user storage capacity and will remain the same throughout the lifespan of the device. However, the total usable capacity of the SSD is most likely to be less than the total physical capacity because a small portion of the capacity is reserved for device maintenance usages.

1.5 Performance

Performance of mSATA M4-M is shown in Table 1-2.

Table 1-2 Performance specifications

Capacity Performance	8 GB	16 GB	32 GB	64 GB	128 GB
Sustained Read (MB/s)	117	125	135	155	145
Sustained Write (MB/s)	26	26	40	80	80

Note: Performance varies from flash configurations and/or platform settings.

1.6 Pin Assignments

Pin assignment of the mSATA M4-M is shown in Figure 1-2 and described in Table 1-3.

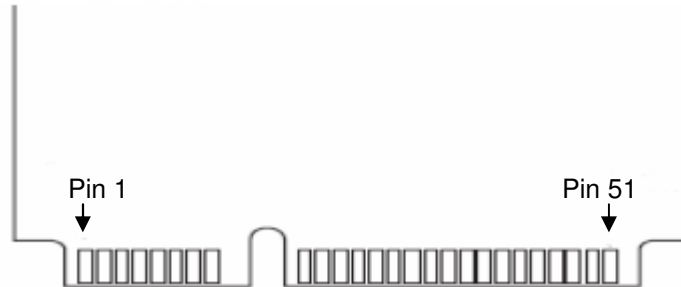


Figure 1-2 Apacer mSATA M4-M pin assignment

Table 1-3 Pin Assignment Description

Pin #	Assignment	Description	Pin #	Assignment	Description
1	N/A	N/A	27	GND	Return Current Path
2	+3.3V	3.3V source	28	N/A	N/A
3	N/A	N/A	29	GND	Return Current Path
4	GND	Return Current Path	30	N/A	N/A
5	N/A	N/A	31	Rx-	SATA Differential
6	N/A	N/A	32	N/A	N/A
7	N/A	N/A	33	Rx+	SATA Differential
8	N/A	N/A	34	GND	Return Current Path
9	GND	Return Current Path	35	GND	Return Current Path
10	N/A	N/A	36	Reserved	No Connect
11	N/A	N/A	37	GND	Return Current Path
12	N/A	N/A	38	Reserved	No Connect
13	N/A	N/A	39	+3.3V	3.3V source
14	N/A	N/A	40	GND	Return Current Path
15	GND	Return Current Path	41	+3.3V	3.3V source
16	N/A	N/A	42	N/A	N/A
17	N/A	N/A	43	GND	Return Current Path
18	GND	Return Current Path	44	N/A	N/A
19	N/A	N/A	45	Reserved	N/A
20	N/A	N/A	46	N/A	N/A
21	GND	Return Current Path	47	Reserved	N/A or Write Protect
22	N/A	N/A	48	N/A	N/A
23	Tx+	SATA Differential	49	DA/DSS	Device Activity / Disable Staggered Spin Up
24	+3.3V	3.3V source	50	GND	Return Current Path
25	Tx-	SATA Differential	51	Presence Detection	Shall be pulled to GND by device
26	GND	Return Current Path	52	+3.3V	3.3V source

Notes: Pin47 is N/A by default with high impedance. However, the pin is internally programmed with Write Protect function. If the pin signal is pulled to "low", Write Protect will be triggered. Please refer to "Write Protect Enabled by Pin".

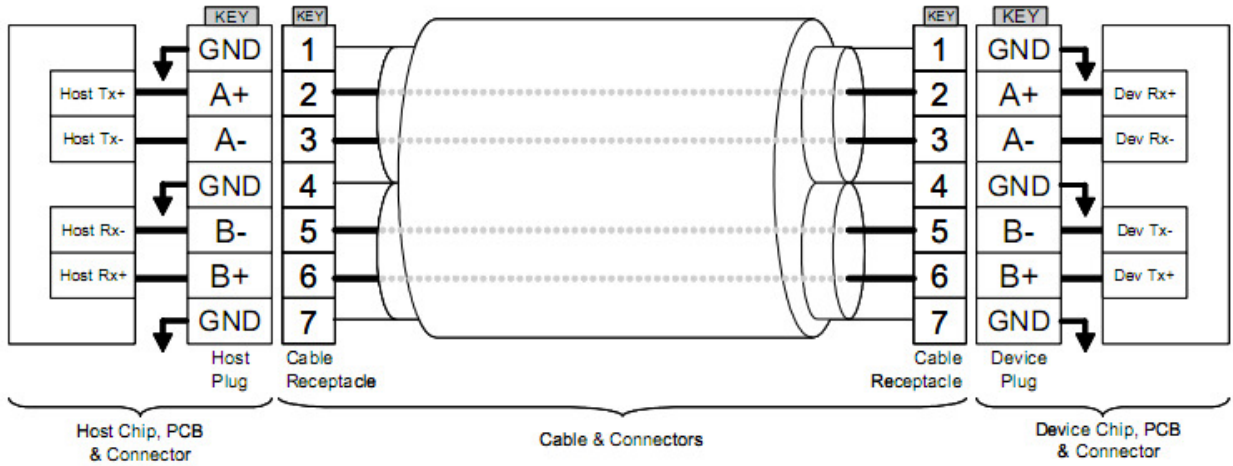


Figure 1-3 SATA Cable/Connector Connection Diagram

The connector on the left represents the Host with TX/RX differential pairs connected to a cable. The connector on the right shows the Device with TX/RX differential pairs also connected to the cable. Notice also the ground path connecting the shielding of the cable to the Cable Receptacle.

2. Software Interface

2.1 Command Set

Table 2-1 summarizes the ATA commands supported by mSATA M4-M.

Table 2-1: Command set

Code	Command	Code	Command
E5h	Check Power Mode	F3h	Security Erase Prepare
06h	Data Set Management	F4h	Security Erase Unit
90h	Execute Device Diagnostic	F5h	Security Freeze Lock
E7h	Flush Cache	F1h	Security Set Password
EAh	Flush Cache EXT	F2h	Security Unlock
Ech	Identify Device	70h	Seek
E3h	Idle	Efh	Set Features
E1h	Idle Immediate	C6h	Set Multiple Mode
91h	Initialize Device Parameters	E6h	Sleep
C8h	Read DMA	B0h	SMART
25h	Read DMA EXT	E2h	Standby
C4h	Read Multiple	E0h	Standby Immediate
29h	Read Multiple EXT	Cah	Write DMA
20h	Read Sector	35h	Write DMA EXT
24h	Read Sector EXT	C5h	Write Multiple
40h	Read Verify Sectors	39h	Write Multiple EXT
42h	Read Verify Sectors EXT	30h	Write Sector
10h	Recalibrate	34h	Write Sector EXT
F6h	Security Disable Password		

3. Flash Management

3.1 Error Correction/Detection

mSATA M4-M implements a hardware ECC scheme, based on the BCH algorithm. It can detect and correct up to 16 bits or 24 bits error in 1K bytes.

3.2 Bad Block Management

Current production technology is unable to guarantee total reliability of NAND flash memory array. When a flash memory device leaves factory, it comes with a minimal number of initial bad blocks during production or out-of-factory as there is no currently known technology that produce flash chips free of bad blocks. In addition, bad blocks may develop during program/erase cycles. When host performs program/erase command on a block, bad block may appear in Status Register. Since bad blocks are inevitable, the solution is to keep them in control. Apacer flash devices are programmed with ECC, block mapping technique and S.M.A.R.T to reduce invalidity or error. Once bad blocks are detected, data in those blocks will be transferred to free blocks and error will be corrected by designated algorithms.

3.3 Wear Leveling

Flash memory devices differ from Hard Disk Drives (HDDs) in terms of how blocks are utilized. For HDDs, when a change is made to stored data, like erase or update, the controller mechanism on HDDs will perform overwrites on blocks. Unlike HDDs, flash blocks cannot be overwritten and each P/E cycle wears down the lifespan of blocks gradually. Repeatedly program/erase cycles performed on the same memory cells will eventually cause some blocks to age faster than others. This would bring flash storages to their end of service term sooner. Wear leveling is an important mechanism that level out the wearing of blocks so that the wearing-down of blocks can be almost evenly distributed. This will increase the lifespan of SSDs. Commonly used wear leveling types are Static and Dynamic.

3.4 Power Failure Management

Power Failure Management plays a crucial role when experiencing unstable power supply. Power disruption may occur when users are storing data into the SSD. In this urgent situation, the controller would run multiple write-to-flash cycles to store the metadata for later block rebuilding. This urgent operation requires about several milliseconds to get it done. At the next power up, the firmware will perform a status tracking to retrieve the mapping table and resume previously programmed NAND blocks to check if there is any incompleteness of transmission.

3.5 ATA Secure Erase

ATA Secure Erase is an ATA disk purging command currently embedded in most of the storage drives. Defined in ATA specifications, (ATA) Secure Erase is part of Security Feature Set that allows storage drives to erase all user data areas. The erase process usually runs on the firmware level as most of the ATA-based storage media currently in the market are built-in with this command. ATA Secure Erase can securely wipe out the user data in the drive and protects it from malicious attack.

3.6 S.M.A.R.T.

S.M.A.R.T. is an acronym for Self-Monitoring, Analysis and Reporting Technology, an open standard allowing disk drives to automatically monitor their own health and report potential problems. It protects the user from unscheduled downtime by monitoring and storing critical drive performance and calibration parameters. Ideally, this should allow taking proactive actions to prevent impending drive failure.

Apacer devices use the standard SMART command B0h to read data out from the drive to activate our SMART feature that complies with the ATA/ATAPI-7 specifications. Based on the SFF-8035i Rev. 2.0 specifications, SMART Attribute IDs shall include Initial bad block count, Bad block count, Spare block count, Maximum erase count, Average erase count and Power cycle. When the SMART Utility running on the host, it analyzes and reports the disk status to the host before the device reaches in critical condition.

3.7 TRIM

TRIM, though in capital letters usually, is a memory computation command rather than an abbreviation. It is mainly a SATA command that enables the operating system to inform the SSD (Solid State Drive) which blocks of previously stored data are no longer valid, due to erases by the host or operating system, such as file deletions or disk formatting. Once notified, SSD will begin the discard of the invalid LBAs and retain more space for itself, in fact, the discarded is no longer recoverable.

When an LBA is replaced by the operating system, as with overwrite of a file, the SSD is informed that the originally occupied LBA is determined as no longer in use or invalid. The SSD will not save those blocks in garbage collected sectors. Noticeably, a file deletion command by host or operating system never actually erases the actual content, rather, just the file is marked as deleted. This issue is even specifically noticeable for flash based memory devices, such as SSDs. In fact, an SSD will keep garbage collecting the invalid, previously occupied LBAs, if it is not informed that these LBAs can be erased. Thus, the SSD would experience a significant performance downfall.

4. Environmental & Reliability Specifications

4.1 Environments

mSATA M4-M environmental specifications follow the US Military Standard MIL-STD-810F, as shown in below table.

Table 4-1 mSATA M4-M environmental specifications

Environment	Specification
Temperature	0°C to 70°C (Operating)
	-40 ~ +85°C (operating-extended)
	-40°C to 100°C (Non-operating)
Vibration	Sine wave : 15(G), 10~2000(Hz), Random : 7.69 (Grms), 20~2000(Hz)
Shock	Acceleration: 1,500 G, 0.5 ms Peak acceleration: 50 G, 11 ms

Note: extended operating temperature specification applies only to 16, 32, 64 and 128GB capacities.

4.2 Mean Time Between Failures (MTBF)

Mean Time Between Failures (MTBF) is predicted based on reliability data for the individual components in mSATA drive. The prediction result for the mSATA M4-M is more than 1,000,000 hours.

Notes about MTBF:

The prediction is based on Bellcore analysis method by assuming device failure rate can be generated by the sum of failure rates in each component.

4.3 Endurance

Terabytes Written (TBW) is an endurance rating system that indicates the maximum number of terabytes written by the host to the drive. NAND flash has a limit on how many P/E cycles it can withstand before its data retention becomes unreliable. Thus, key factors, such as Write Amplifications and the number of P/E cycles, can influence the lifespan of the drive.

The TBW of the device are listed in the following table.

Capacity	Host Write (GB)	TBW (TB)
8 GB	13509.93	13.5
16 GB	27019.86	27.01
32 GB	54039.73	54.03
64 GB	108079.47	108.07
128 GB	216158.94	216.15

Notes:

- The measurement assumes the data written to the SSD for test is under a typical and constant rate.
- The measurement follows the standard metric: 1 TB (Terabyte) = 1000 GB.

4.4 Certification and Compliance

mSATA M4-M complies with the following standards:

- CE
- FCC
- RoHS Recast
- MIL-STD-810F
- SATA II (SATA Rev. 2.6)
- Up to ATA/ATAPI-7 (including S.M.A.R.T.)

5. Electrical Characteristics

5.1 Operating Voltage

Table 5-1 lists the supply voltage for mSATA M4-M.

Table 5-1 mSATA M4-M operating voltage

Parameter	Conditions
Supply voltage	3.3V \pm 5% (3.135 - 3.465 V)

5.2 Power Consumption

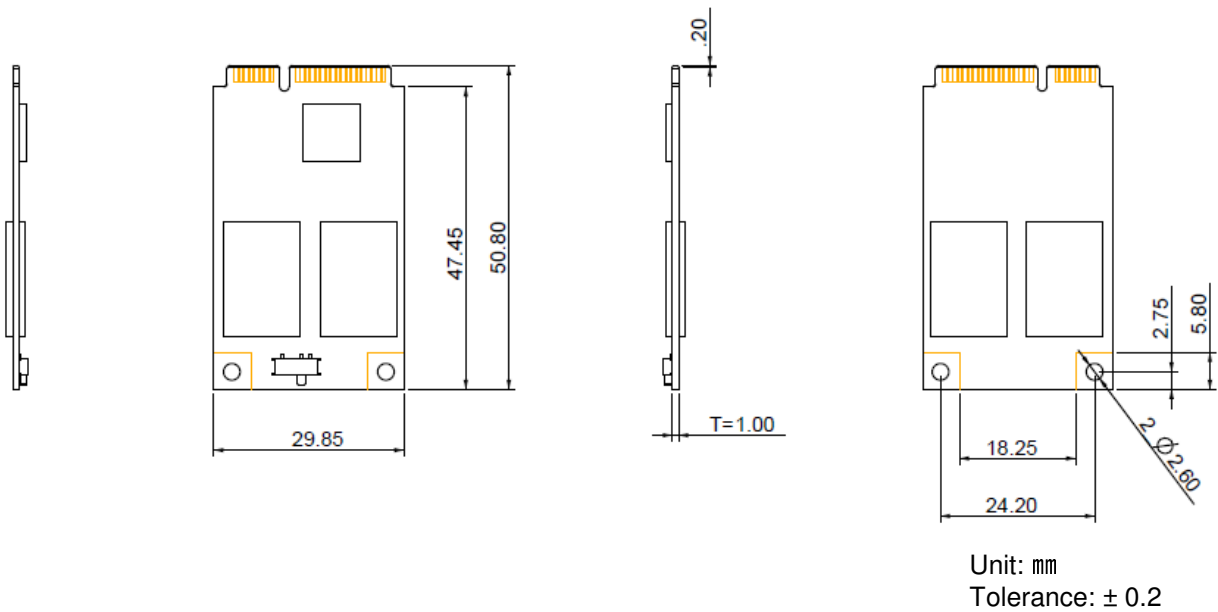
Table 5-2 Power consumption (typical)

Mode \ Capacity	8 GB	16 GB	32 GB	64 GB	128GB
Active (mA)	330	340	360	460	495
Standby (mA)	150	150	150	160	160

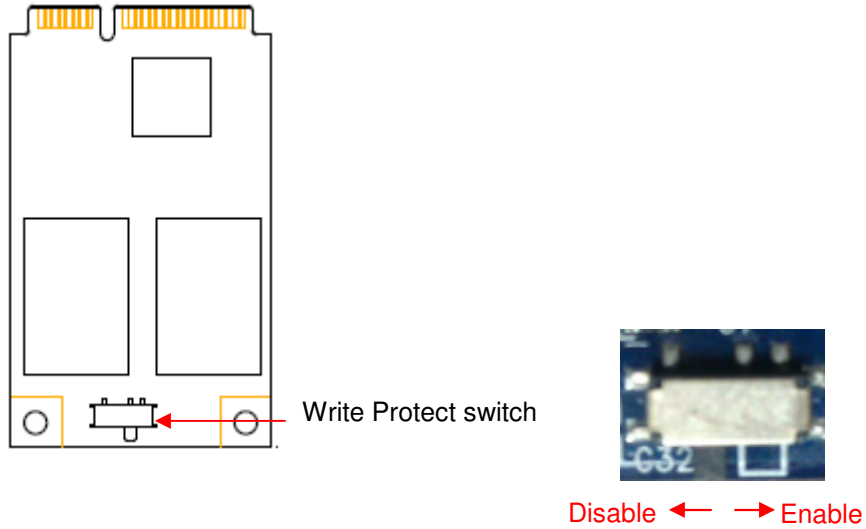
Note: Power consumption may vary from flash configurations and/or platform settings.

6. Physical Characteristics

6.1 Mechanical Drawing



6.2 Write Protect Switch (optional)

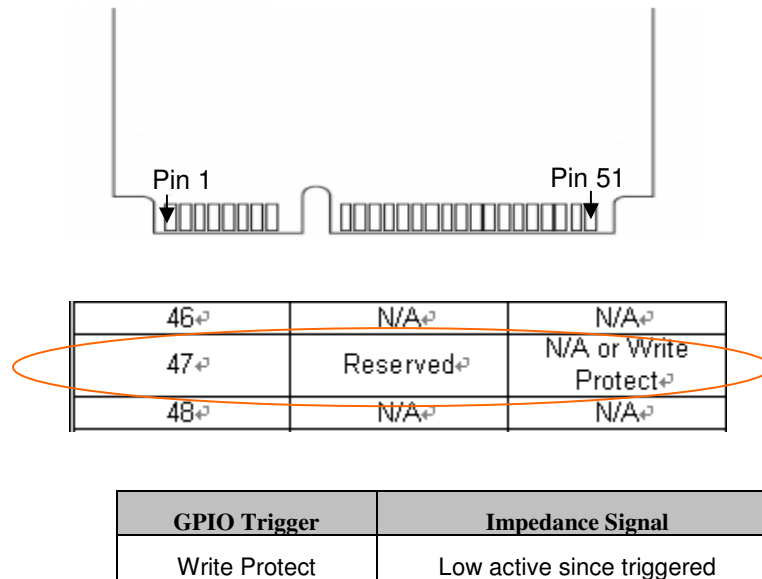


Description of Apacer Write Protect:

Apacer implements the Virtual Write scheme that allows write commands to go through the flash controller and data temporarily stored, but no data has been actually written into the flash. Since the Virtual Write scheme runs at device level, it requires no software or driver installation and is independent from the host OS.

7. Write Protect Enabled by Pin

The pin 47 can enable “Write Protect” function. By default, the pin is set as “high” signal so that write operations can be performed normally. Once the signal is pulled to “low active”, Write Protect will be activated. Regarding the Write Protect function, it is implemented as “Virtual Write” and the description can be found in section 6.2.



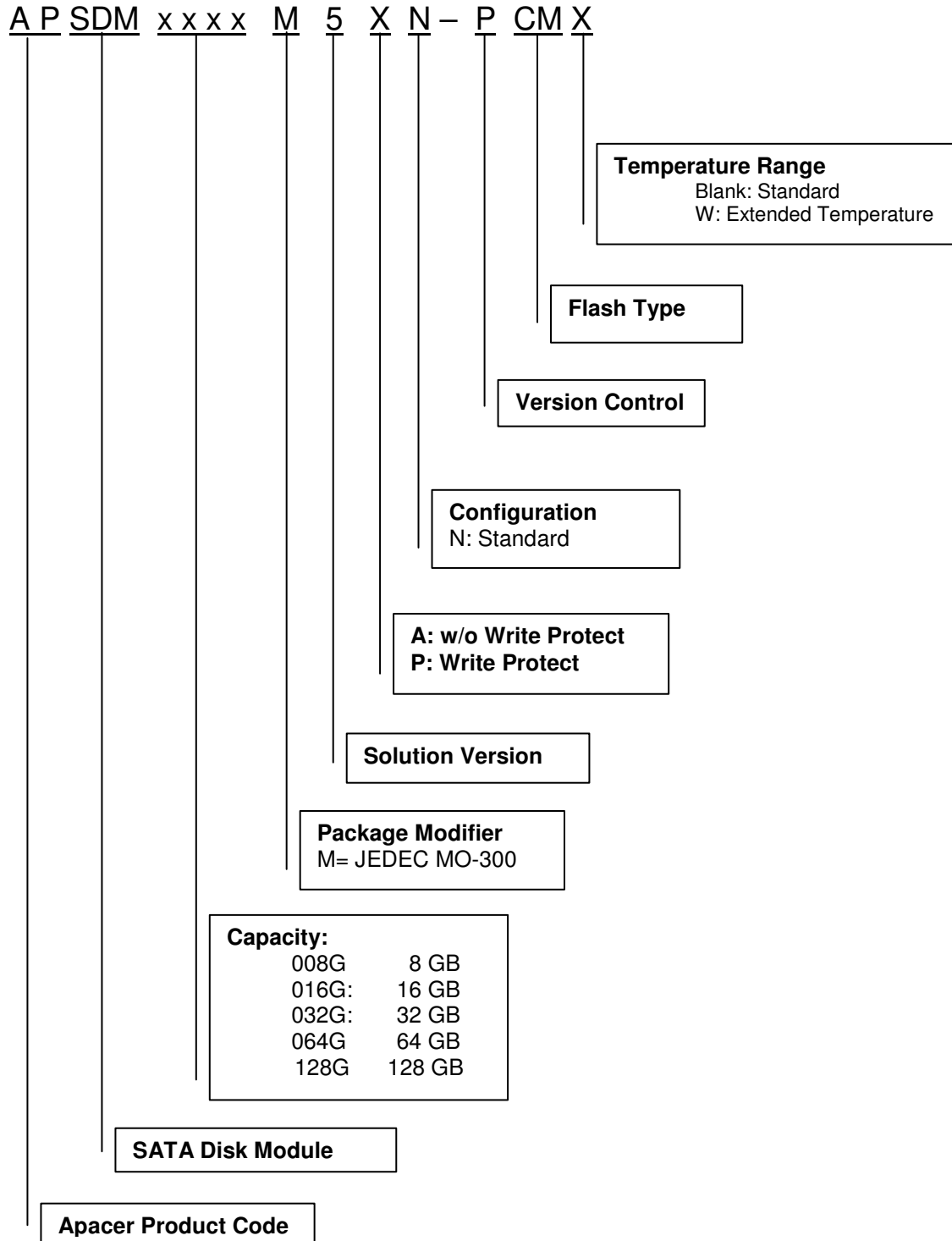
Notes: Write Protect (Virtual Write) is a higher priority command than Erase or other erasure related commands. In other words, when Write Protect is activated, neither Erase nor other erasures can be activated.

This pin is available in both the standard and the model with the hardware switch. There is no functional conflict as both the pin-configured and the switch-enabled Write Protect adopt the same GPIO pin in its hardware and firmware design. If the Write Protect is activated by the pin, it will be deactivated by the pin as well. The following table lists out the Write Protect status corresponding to the enabling/disabling of the pin/switch.

Switch status	Pin47 Signal	Write Protect status
Disabled	Enabled	Enabled
Enabled	Disabled	Enabled
Disabled	Disabled	Disabled
Enabled	Enabled	Enabled

8. Product Ordering Information

8.1 Product Code Designations



8.2 Valid Combinations

mSATA M4-M

Capacity	Standard	Extended Temperature
8GB	APSDM008GM5AN-PCM	--
16GB	APSDM016GM5AN-PCM	APSDM016GM5AN-PCMW
32GB	APSDM032GM5AN-PCM	APSDM032GM5AN-PCMW
64GB	APSDM064GM5AN-PCM	APSDM064GM5AN-PCMW
128GB	APSDM128GM5AN-PCM	APSDM128GM5AN-PCMW

mSATA M4-M with Write Protect

Capacity	Standard	Extended Temperature
8GB	APSDM008GM5PN-PCM	--
16GB	APSDM016GM5PN-PCM	APSDM016GM5PN-PCMW
32GB	APSDM032GM5PN-PCM	APSDM032GM5PN-PCMW
64GB	APSDM064GM5PN-PCM	APSDM064GM5PN-PCMW
128GB	APSDM128GM5PN-PCM	APSDM128GM5PN-PCMW

Note: Please consult with Apacer sales representatives for availabilities.

Revision History

Revision	Description	Date
0.1	Preliminary release	11/07/2011
1.0	Official release	11/22/2011
1.1	Updated operating temperature range: extended ambient temperatures available in certain capacities Updated address for our European branch	11/29/2011
1.2	Updated Electrical Specifications and supply voltage information: from 5V to 3.3V	1/2/2012
1.3	Revised capacity information	1/16/2012
1.4	Added Endurance sub-section	05/04/2012
1.5	Revised mechanical drawing Updated Product Ordering Information due to firmware update	08/14/2012
1.6	Added Write Protect option	11/08/2012
1.7	Extended temperature is available for 128GB Added Write Protect information in pin assignment and created a chapter for it	12/20/2012
1.8	Updated Product Ordering Information due to firmware upgrade	03/12/2013

Global Presence

Taiwan (Headquarters)

Apacer Technology Inc.
4th Fl., 75 Hsin Tai Wu Rd., Sec.1
Xizhi, New Taipei City
Taiwan 221
R.O.C.
Tel: +886-2-2698-2888
Fax: +886-2-2698-2889
amtsales@apacer.com

U.S.A.

Apacer Memory America, Inc.
386 Fairview Way, Suite102,
Milpitas, CA 95035
Tel: 1-408-518-8699
Fax: 1-408-935-9611
sa@apacerus.com

Japan

Apacer Technology Corp.
5F, Matsura Bldg., Shiba, Minato-Ku
Tokyo, 105-0014, Japan
Tel: 81-3-5419-2668
Fax: 81-3-5419-0018
jpservices@apacer.com

Europe

Apacer Technology B.V.
Science Park Eindhoven 5051 5692 EB Son,
The Netherlands
Tel: 31-40-267-0000
Fax: 31-40-267-0000#6199
sales@apacer.nl

China

Apacer Electronic (Shanghai) Co., Ltd
1301, No.251,Xiaomuqiao Road, Shanghai,
200032, China
Tel: 86-21-5529-0222
Fax: 86-21-5206-6939
sales@apacer.com.cn

India

Apacer Technologies Pvt Ltd,
535, 1st Floor, 8th cross, JP Nagar 3rd Phase,
Bangalore – 560078, India
Tel: 91-80-4152-9061
sales_india@apacer.com