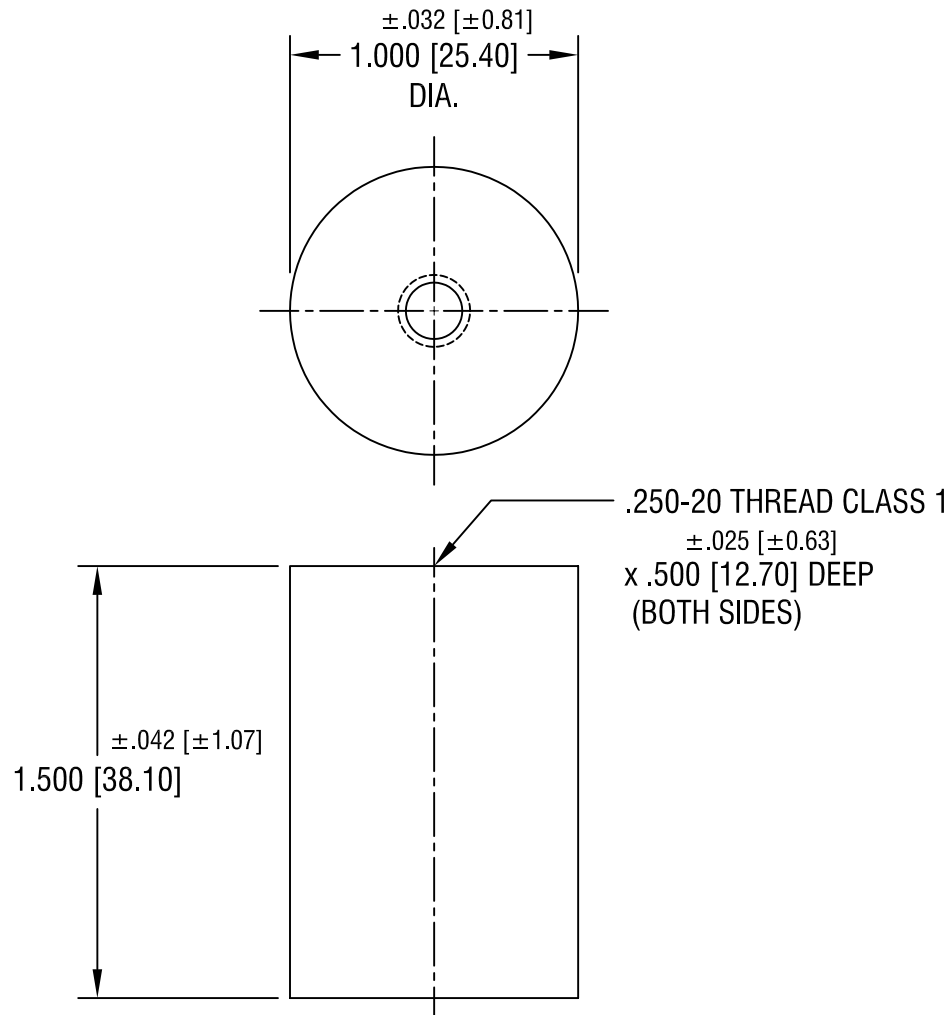


THIS DOCUMENT IS THE PROPERTY OF
KEYSTONE ELECTRONICS CORP. AND
SHALL NOT BE REPRODUCED, DISTRIBUTED
OR USED AS A BASIS FOR MANUFACTURE
WITHOUT PRIOR WRITTEN PERMISSION
FROM KEYSTONE ELECTRONICS CORP.



NOTE:

1. MARKED WITH NL #: NL523W04-012

KEYSTONE ELECTRONICS CORP.			
ASTORIA, N.Y. 11105-2017			
PART NAME		CERAMIC STANDOFF	
MATERIAL		GRADE L5 CERAMIC	
FINISH		DRN BY	DATE
GLAZED		BOONE	2.9.98
		APP'D	SCALE
TOLERANCES		LN	1.5X
		DWG NO.	
INCH	[MM]	7675	
DECIMAL	$\pm .005$ [± 0.15]		
ANGULAR	$\pm 1^\circ$		
UNLESS OTHERWISE SPECIFIED		CODE	C/M

DATE	DESCRIPTION	REV.
------	-------------	------