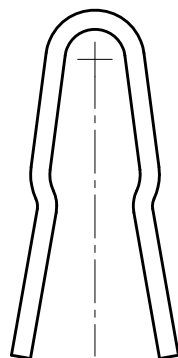
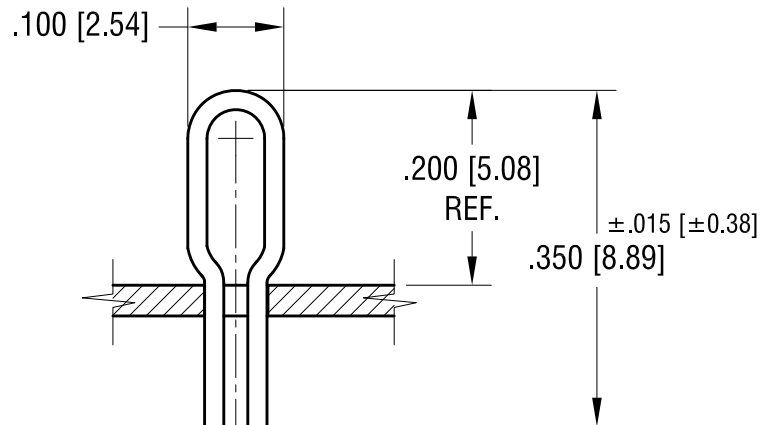


THIS DOCUMENT IS THE PROPERTY OF
KEYSTONE ELECTRONICS CORP. AND
SHALL NOT BE REPRODUCED, DISTRIBUTED
OR USED AS A BASIS FOR MANUFACTURE
WITHOUT PRIOR WRITTEN PERMISSION
FROM KEYSTONE ELECTRONICS CORP.

ACTUAL SIZE



SHOWN AS
SUPPLIED



SHOWN AS
INSTALLED INTO
.067 [1.70] TO .078 [1.98] DIA.
MOUNTING HOLE

KEYSTONE ELECTRONICS CORP.

www.keyelco.com • ASTORIA, N.Y. 11105-2017 • Tel (718) 956-8900

PART NAME

THRU-HOLE MOUNT TEST POINT

MATERIAL

.020 [0.50] DIA. PHOSPHOR BRONZE , 510 ALLOY

FINISH

SILVER PLATE

DRN BY

NT

DATE

4.07.13

APP'D

LN

SCALE

5X

TOLERANCES

INCH [MM]

DECIMAL ± .005 [± 0.13]

ANGULAR ± 1°

UNLESS OTHERWISE SPECIFIED

CODE

C

DWG NO.

5023

3.11.14	CHANGE AS PER ECN 14-027	C
1.02.14	CHANGE AS PER ECN 14-006	B
5.14.13	CHANGE AS PER ECN 13-040	A
DATE	DESCRIPTION	REV.