

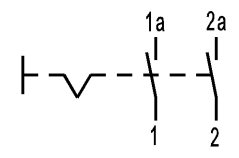
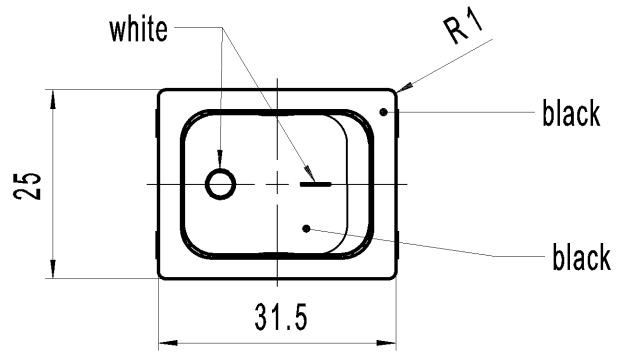
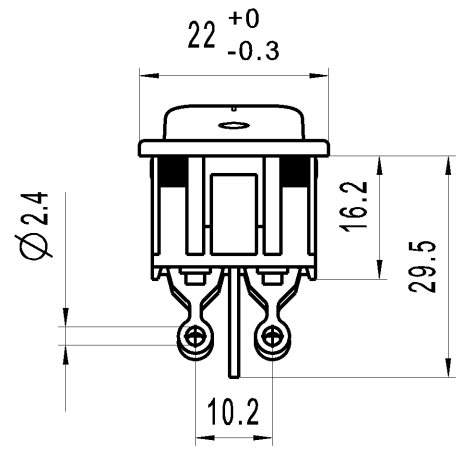
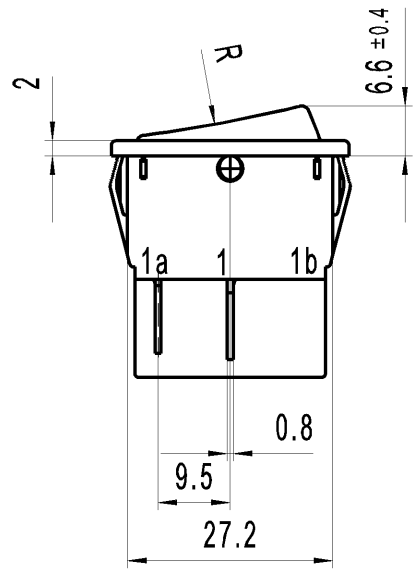
CONFIDENTIAL

VERTRAULICH

Alle Rechte bei Marquardt, auch fuer den Fall von Schutzrechtsanmeldungen. Jede Veruegungsbefugnis, wie Kopier- und Weitergaberecht, bei uns.

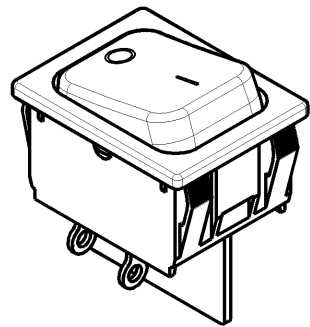
THIS DRAWING IS THE EXCLUSIVE PROPERTY OF MARQUARDT. WITHOUT THEIR CONSENT IT MAY NOT BE REPRODUCED OR GIVEN TO THIRD PARTIES.

A	Recommended cut-out for snap-in fixing (edge opposite to snap-in direction)	1	2	3	4
		0.75 to 1.25 1.25 to 2 2 to 3	30 -0.1 30.2 -0.1 30.6 -0.1	22 +0.2 22 +0.2 22 +0.2	width of cut-out



Marking  
 1832.  
 16(4)/250 ~ T105/55  
 05

DPST  
 Suitable for appliances of class II  
 With integrated system cover



16A 125-250V AC  
 1/4 HP 125V AC  
 1/2 HP 250V AC  
 R70

Code of manufacture: place/year/week

-	-	-	1832.0113-XX
---	---	---	--------------

Figure	Type	Customer No.	Art.No.-PI
--------	------	--------------	------------

General tolerances							Sheet 01			Ident.	Document number	Index
All dimensions are in millimetres	Shape and location 	Angle $\pm 2^\circ$	Edge tolerance 	Length	Radii	Format DIN A4	Projection 	Scale 1:1	K	18320113	d	
				0-6	$\pm 0.2$							$\pm 0.2$
				>6-15	$\pm 0.2$							$\pm 0.3$
				>15-30	$\pm 0.4$							$\pm 0.5$
				>30-70	$\pm 0.6$							
>70-120	$\pm$	$\pm 10\%$										
>120	$\pm$											
d	120199		2018-10-08		HHE	System NX V11.0						
c	64507		2009-11-11		HHE							
b	39880		2004-03-15		HHE							
a	35777		2003-03-12		HHE							
Index	MEC-No.		Date (YYYY-MM-DD)		Edited by	Replacement of Zg.gl.Nr.v.10.07.2001						