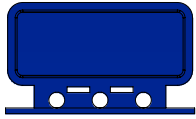
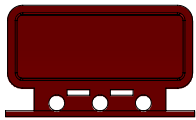


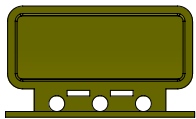
RC1.0 = TRANSPARENT



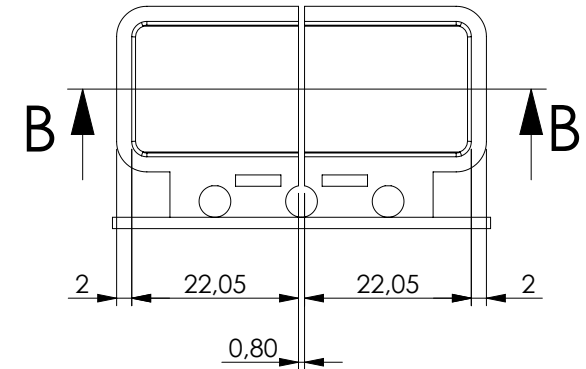
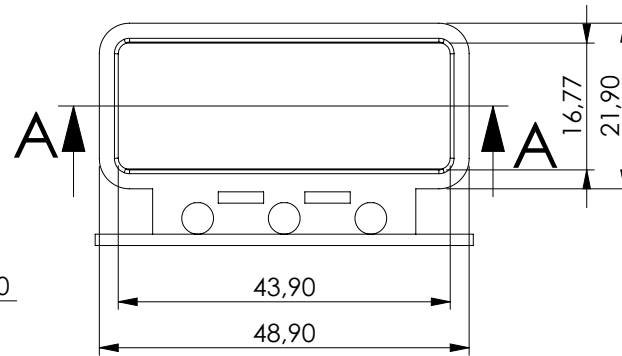
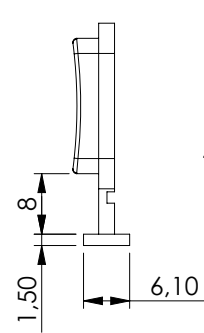
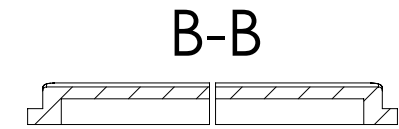
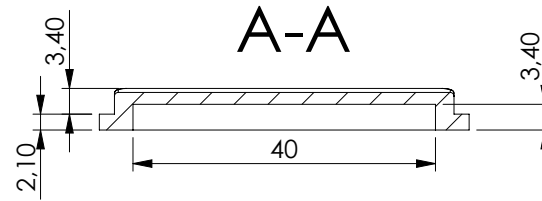
RC1.12 = RAL 5010



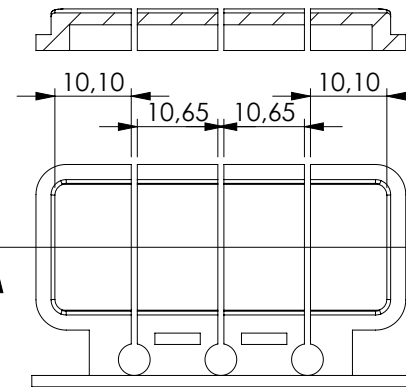
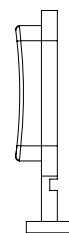
RC1.24 = RAL 3020



RC1.26 = RAL 1003



C-C



Proprietary and Confidential

TEKO S.p.A. Via dell'Industria 5 - S.Lazzaro di Savena - BO - IT



Subject to technical modification without prior notice.  
Tipographical and others errors do not justify any claim for damages.  
All dimensions should be verified using an actual moulded part.

Part Number:  
RC1-2-4-RC2-RC4

Date:  
04/03/2013

Sheet:  
1 of 1

First angle prj.  
⊕

This document contains proprietary information of TEKNO S.p.a. and is tendered subject to the conditions that the information be retained in confidence not be reproduced or copied and not be used or incorporated in any product

Size: A4 Scale: 1:1