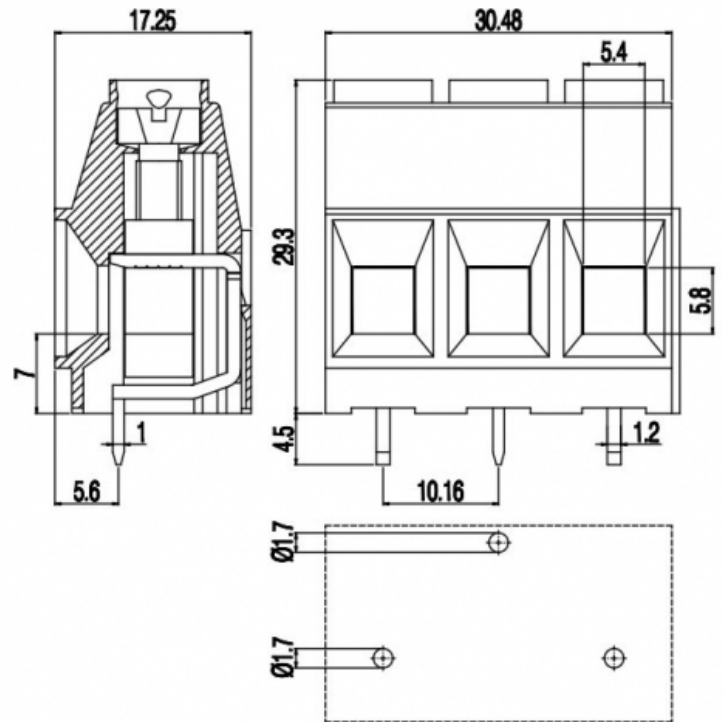


# MV10x-10,16-V-A euroclamp



## Single-deck terminal block - Power - Modular version - Pitch 10,16mm - 2÷3 poles

### GENERAL INFORMATION

pitch:	10,16 mm
housing height:	29,30 mm
housing depth:	17.25 mm
dimensional class:	high
wire section:	10 mm <sup>2</sup> / 8 AWG
clamp opening size:	5.4 × 5.8 mm
wire stripping:	max 15 mm
operating temperature:	-40°C ÷ +130°C

### ELECTRICAL CHARACTERISTICS

current:	42A
voltage:	750V
test voltage:	3 kVrms/60s

### MECHANICAL CHARACTERISTICS

screw:	M4
max. torque:	1.2 Nm / 10.8 in.lbs

### APPROVALS DATA



current:	-	EN 60998-1	UL 1059
voltage:	-	49A	42A factory / 42A field
wire section:	-	750V	300V
torque:	-	16mm <sup>2</sup>	8÷30AWG
FILE:	-	1.5Nm	10.8Lb-in
		40034945	E178356

### MATERIALS

### AVAILABLE COLOURS

housing: PA - UL 94 V0  
 screw: Galvanized steel  
 clamp/spring: Nickeled copper alloy  
 terminal: Tin-plated copper alloy



other colours:

upon request

poles	P/N	pcs/pack	W [Kg]*	W [Kg]*
2	MV102-10,16-V-A	N/A	N/A	N/A
3	MV103-10,16-V-A	N/A	N/A	N/A
..	MV10..-10,16-V-A	N/A	N/A	N/A